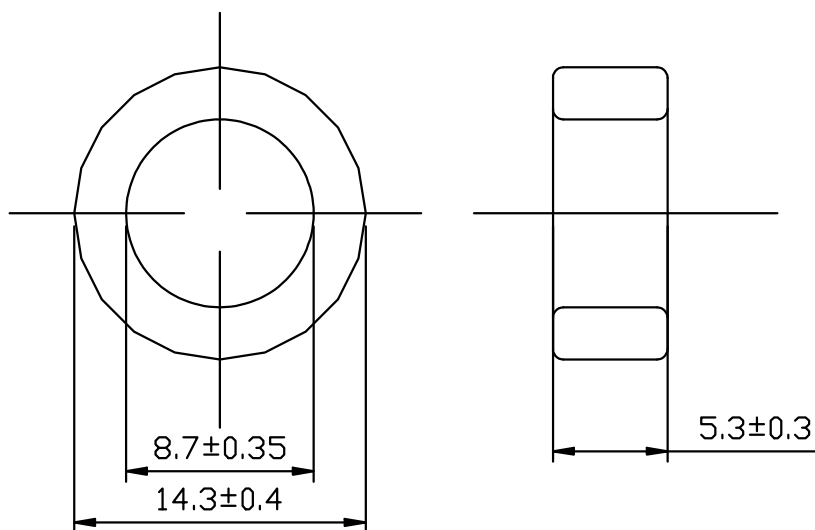


# Product Drawing and Specification



Dimensions According To: IEC 205

$\Sigma 1/A : 2.84\text{mm}^{-1}$	$\Sigma 1/A^2 : 0.23\text{mm}^{-3}$	$A_e : 12.3\text{mm}^2$	$V_e : 430\text{mm}^3$	$L_e : 35.0\text{mm}$
Weight-g/pcs				




## Electrical Specifications

Property	Specification	Unit	Test Conditions			
			Frequency	Induction	Temperature	Equipment <sup>(1)</sup>
			(kHz)	(mT)	(°C)	
$A_L$	$55.2_{\pm 25\%}$	nH/N <sup>2</sup>	10	$\leq 0.1$	25 $\pm$ 3	HP-4284A
$\text{tg } \delta / \text{ui}$	$\leq 130 \times 10^{-6}$		10 <sup>4</sup>			HP-4285A

(1): Or similar/O similar

## OTHER SPECIFICATIONS

VISUAL REQUIREMENTS according to: GUV-4-0-0/1  
High voltage insulation  $\geq 1.5\text{kV}$

ROUGHNESS	UNIT	SCALE	PROJ EUROP	UN-D 28	TOLERANCES: UNLESS OTHERWISE STATED	UN-D 603
	mm	2:1			DIMENSION: $\pm 3\%$ ACC: TO DIN 406 TEIL 4	
				Ra in mikron( $\mu\text{m}$ )		

3E25: MA01	<b>CORE- FAMILY</b> <b>TX14/9/5-4C65</b> (Bare dimensions: 14*9*5) Toroid Coated with Epoxy 11	1	2005/3/23	
6TG : 531530				
2005/3/23		4341 020 1960_		
- -				
- -				
Name: SEL. Lee	Check:	Approve:	110 - 02    010    A 4	

TR	Dat. 2005/3/23	Property of Ferroxcube Dongguan Ltd. -China
----	----------------	---