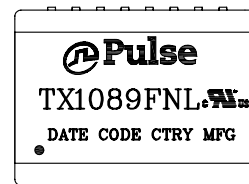


NOTES:

1. ROHS COMPLIANT
2. HEADER: DAP (DIALLYL PHTHALATE) WITH FLAMMABILITY RATING UL 94V-0 OR BETTER.
3. STORAGE TEMPERATURE: -50°C TO +125°C
4. COMPLIANCE TO J-STD:
 - A. J-STD-002: SOLDERABILITY AT 245°C REFLOW PROFILE
 - B. J-STD-020: LEVEL 1, NO MOISTURE SENSITIVE
 - C. J-STD-075: R7, 245°C MAXIMUM THROUGH REFLOW SOLDER
5. TO ORDER TAPE & REEL PACKAGING ADD A "T" SUFFIX TO THE PART NUMBER(i.e TX1089FNL BECOMES TX1089FNLT).

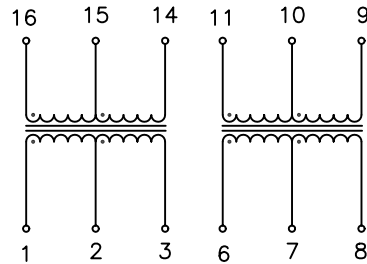


FINAL OUTLINE

© Copyright, 2014. Pulse Electronics Corp. All rights reserved. Pulse confidential & proprietary. (06/12/14)

PRODUCT DESCRIPTION	TLA DRAWING	PS DRAWING	SHEET	PART NO.	DATASHEET REV.
XFMR,DUAL,T1,OP 16-PIN,1CT:1CT,1CT:1CT,ROHS	TX1089FNL-12	PS-2005.002-D	1 OF 3	TX1089FNL	A

ELECTRICAL CHARACTERISTICS AT +25°C UNLESS OTHER SPECIFIED

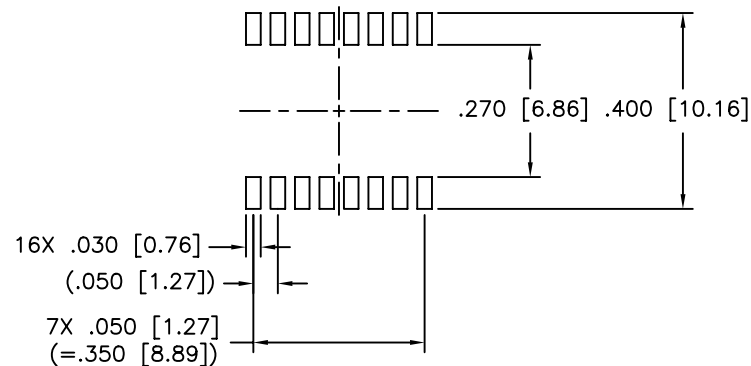


SCHEMATIC

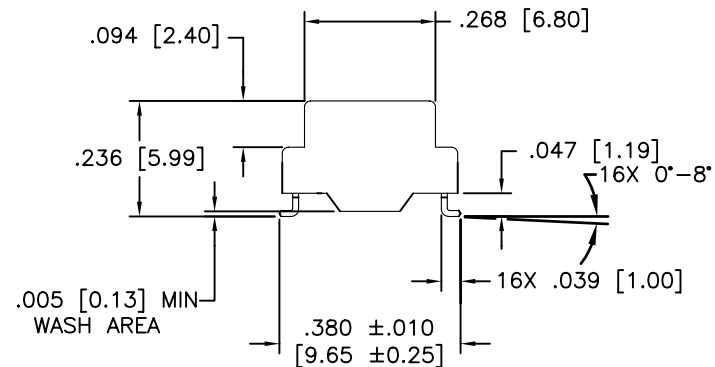
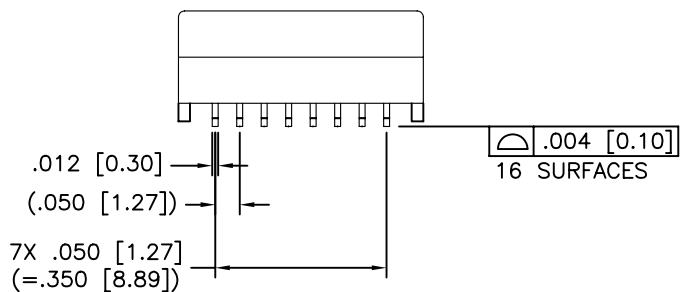
PARAMETER	SPECIFICATIONS
OPERATING TEMPERATURE	-40°C ~ +85°C
POLARITY	PER SCHEMATIC
URNS RATIO: PRI:SEC @10 KHz, 0.1 VRMS	$\frac{(16-14)}{(1-3)} = \frac{(16-15)}{(1-2)} = 1.0 \pm 2\%$ $\frac{(6-8)}{(11-9)} = \frac{(6-7)}{(11-10)} = 1.0 \pm 2\%$
INDUCTANCE (OCL): @10 KHz, 0.1 VRMS	(1-3) = (6-8) = 1.2 mH MINIMUM
EXTENDED TEMPERATURE INDUCTANCE @-40°C, 10 KHz, 0.1 VRMS	(1-3) = (6-8) = 600 uH MINIMUM
LEAKAGE INDUCTANCE (LL): @100 KHz, 0.1 VRMS	(1-3) WITH (16-14) SHORT = 0.8 uH MAXIMUM (6-8) WITH (11-9) SHORT = 0.8 uH MAXIMUM
C _{ww} @ 100 KHz, 1 VRMS	(16-14) TO (1-3) = 30 pF MAXIMUM (6-8) TO (11-9) = 30 pF MAXIMUM
DCR (Pri & Sec)	(1-3) = 0.7 OHM MAXIMUM (16-14) = 0.7 OHM MAXIMUM (11-9) = 0.7 OHM MAXIMUM (6-8) = 0.7 OHM MAXIMUM
HIPOT (PRI TO SEC)	1500 VRMS FOR 1 MINUTE

© Copyright, 2014. Pulse Electronics Corp. All rights reserved. Pulse confidential & proprietary. (06/12/14)

PRODUCT DESCRIPTION	TLA DRAWING	PS DRAWING	SHEET	PART NO.	DATASHEET REV.
XFMR,DUAL,T1,OP 16-PIN,1CT:1CT,1CT:1CT,ROHS	TX1089FNL-12	PS-2005.002-D	2 OF 3	TX1089FNL	A



SUGGESTED LAND PATTERN



DIMENSIONS ARE IN INCHES [MILLIMETERS] WITH THE FOLLOWING TOLERANCES: [MILLIMETERS] ARE FOR REFERENCE ONLY.
.XX= ±.01 [±0.25]
.XXX= ±.005 [±0.13]

© Copyright, 2014. Pulse Electronics Corp. All rights reserved. Pulse confidential & proprietary. (06/12/14)

PRODUCT DESCRIPTION	TLA DRAWING	PS DRAWING	SHEET	PART NO.	DATASHEET REV.
XFMR,DUAL,T1,OP 16-PIN,1CT:1CT,1CT:1CT,ROHS	TX1089FNL-12	PS-2005.002-D	3 OF 3	TX1089FNL	A