

**ALUMINUM NITRIDE**

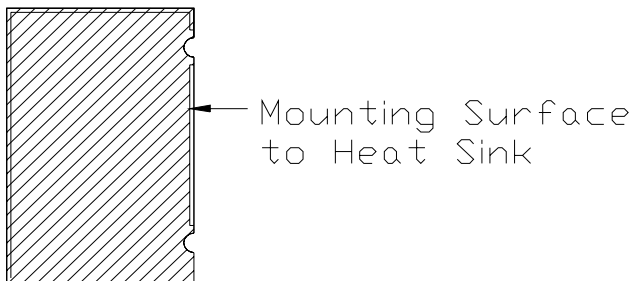
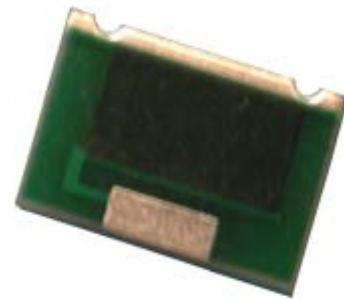
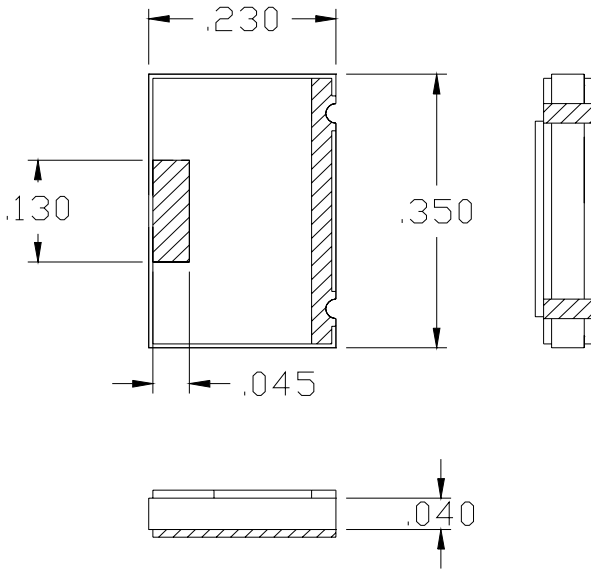
**TERMINATION**

**Features:**

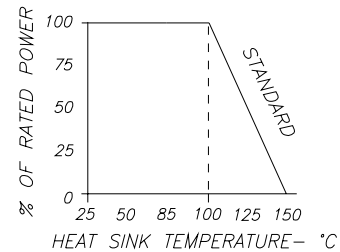
- ◆ ALN material
- ◆ DC- 3 GHz performance
- ◆ 150 Watt power handling
- ◆ Solder mount

**General Description:**

The TVC2335CT-50R0JN-2T-10 is a solder mountable termination capable of dissipating 150 Watts while maintaining a constant heat sink temperature of 100°C and a frequency range from DC-3 GHz.



DERATING CURVE:



Parameter	Min.	Typ.	Max.	Units
Frequency Range	DC		3	GHz
Power Dissipation			150	Watts
Input Return Loss	26			dB
Heat Sink Temperature			100	°C

\* Barry Industries reserves the right to change part number and or process without notification