

Specification of NTC Thermistor

PART NUMBER: **TT7-50KC3-3**

No. of pages: 1

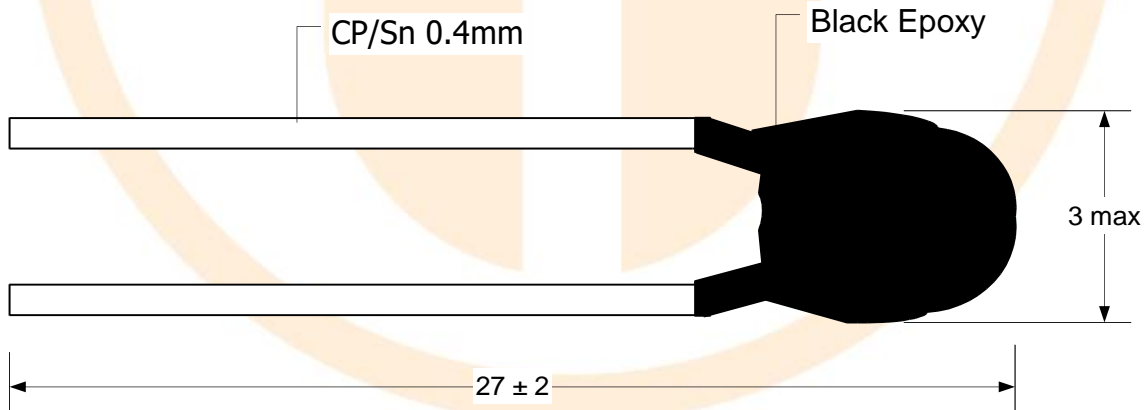
Date: **04.03.2019**

Revision: **00**

FEATURES:

Element	NTC Thermistor
No-load resistance at 25°C	50 000 Ω
Tolerance at 25°C	± 1%
Beta(25/50) Constant	3 950K ± 1%
Operating temperature range	-40°C ÷ 125°C

DRAWING:



UNITS: [mm]