



Loudspeaker

68.3 × 68.3 × 41.4mm

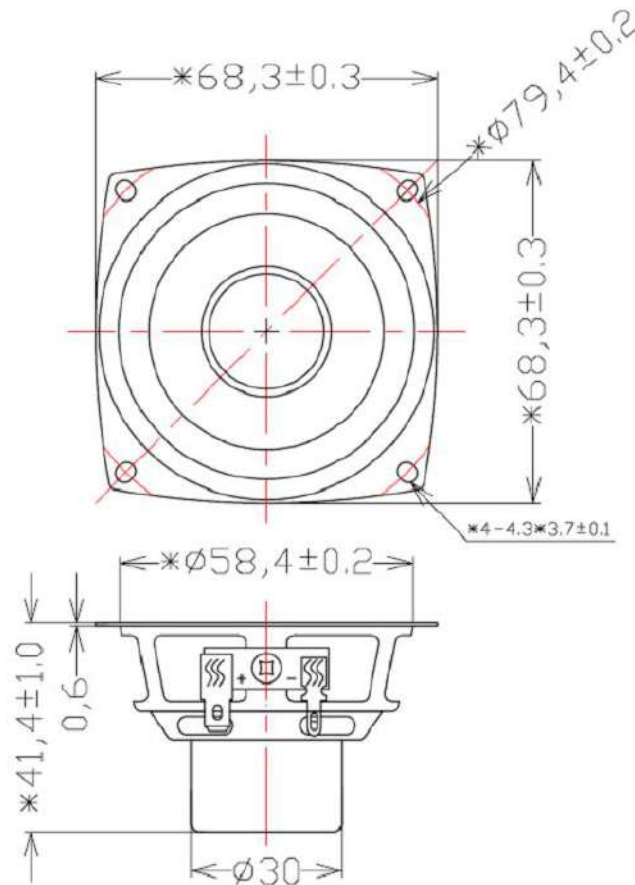
TS68S36DN4F

Revision

Date	Version	Status	Changes	Approver
2017/10/13	V0.1	Draft	First release	LC
2019/3/29	V0.2	Draft	Add TS parameter	AX

1. Mechanical Characteristics

1.1. Mechanical Drawing



Key dimension which has symbol *

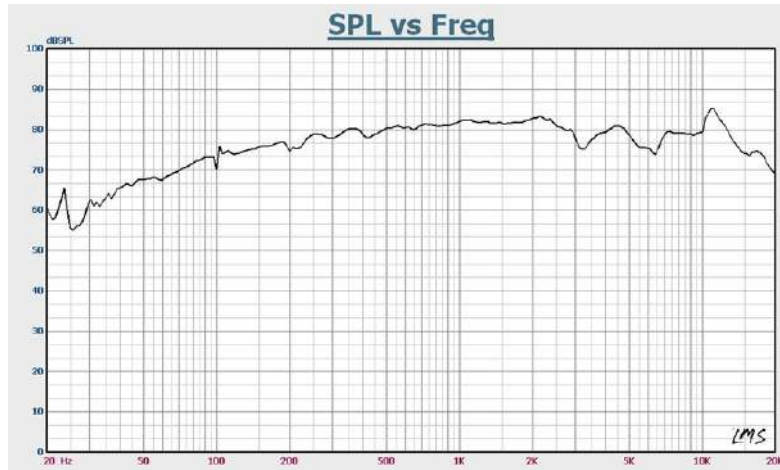
1.2. Material List

- | | | |
|----|--------------|-----------------------|
| 1) | Membrane | Paper + Rubber |
| 2) | Magnet | 19.5*8 N42+19.5*6N42 |
| 3) | Flux Density | 13000 Gauss \pm 15% |
| 4) | Voice coil | ϕ 20mm |
| 5) | Dimension | ϕ 68.3 X 36.9mm |
| 6) | Weight | 130g |

2. Electro-Acoustic Characteristics

2.1. Frequency Response

Typical frequency response measured in free field
(distance $d=1\text{m}$, open back cavity at 1W)



2.2. Electro-acoustic Parameters

Speaker mounted in adapter on baffle

- | | | |
|---|------------------|------------------------------|
| 1. Rated impedance | Z: | 4Ω |
| 2. Voice coil resistance | R: | 4Ω ± 15% |
| (measured at 0.2Vrms 1000Hz open back cavity) | | |
| 3. Resonance frequency | F ₀ : | 100Hz ± 25% |
| (measured at 2Vrms open back cavity) | | |
| 4. Nominal characteristic sensitivity (measured at 1W 1m baffle) | | 84 ± 3dB |
| open back cavity at the frequency points: 200, 300, 1k, 2kHz | | |
| 5. Rated Frequency Range | | f _o ~20kHz ± 10dB |
| 6. THD less than 5% at f _o , measured at 10W | | |
| 7. Polarity: When Positive current is supplied from the speaker terminal marked (+), and a negative to the other terminal the diaphragm must move toward the front. | | |

All acoustic measurements at 23±3°C

2.3. T/S parameters

Parameter	Value	unit	Parameter	Value	unit	Parameter	Value	unit
Qts	0.295		Mms	3.194	g	Sd	23	cm ²
Qms	4.714		Cms	0.858	mm/N	Vas	644	cm ³
Qes	0.315		BL	4.696	T.m	Rms	0.4	N/(m/s)
Zs	57	Ohms	Rdc	3.6	Ohms			

2.4. Power Handling

Loudspeaker mounted in lifetime test device (open back cavity, open front)

1. Rated Input Power (pink noise) 10W (RMS)
2. Max Input Power (pink noise) 15W (RMS)

2.5. Measured Parameters

2.5.1. Sensitivity

SPL is expressed in dB ref 20 μ Pa, computed according to IEC 268-5

2.5.2. Total Harmonic Distortion (THD)

Total harmonic distortion (THD) is measured according to IEC 268-5 (2nd to 5th harmonics)

2.5.3. Rub& Buzz

100-20kHz at 6.32Vrms open back cavity will not result in any buzzing or extraneous sound.

3. Environmental Tests

Immediately after reliability test, samples should be stored under climatic conditions such as normally exist in ordinary rooms. Unless otherwise noted, the recovery period should be 2 hours at least before performance test.

All samples after environmental test should meet the requirements specified in chapter 2.2.3, 2.2.4 and 2.5.3 with 50% increased tolerance.

3.1. Long Term Operation Test

Pink noise, duration 96h, input voltage 6.32Vrms, open back cavity.

3.2. Low Temperature Storage Test

-25 \pm 2°C, duration 48h, 2 hours recovery time.

3.3. High Temperature Storage Test

+70±2°C, 20~25% R.H. duration 48h, 2 hours recovery time.

3.4. High Temperature & Humidity Storage Test

+40±2°C, 90~95% R.H. duration 96h, 2 hours recovery time.

3.5. Drop Test

The Speaker Should Be Dropped Along At lot Plate75⁰ Inclined From The Vertical 1m Height And The Magnet Part Should Be Impacted To The Stopper.