

Product Specification

TS-320240BRNO

4-Wire Resistive Touch Panel

TS-	Touch Panel
320240-	For 320x240 LCD Display
BRNO-	Model

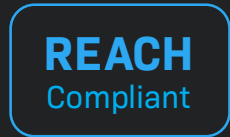


Table of Contents

Document Revision History.....	2
Mechanical Drawing	3
Touch Panel Characteristics	4
Quality Information.....	4

Additional Resources

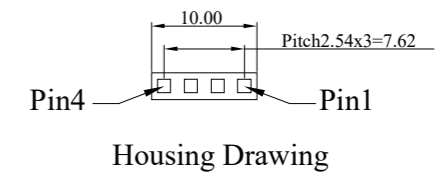
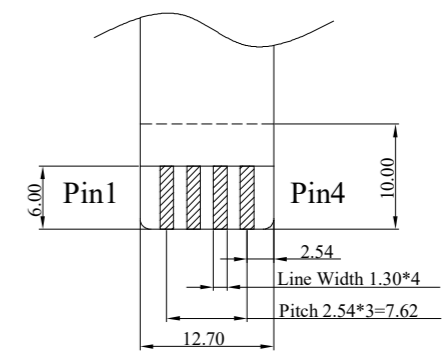
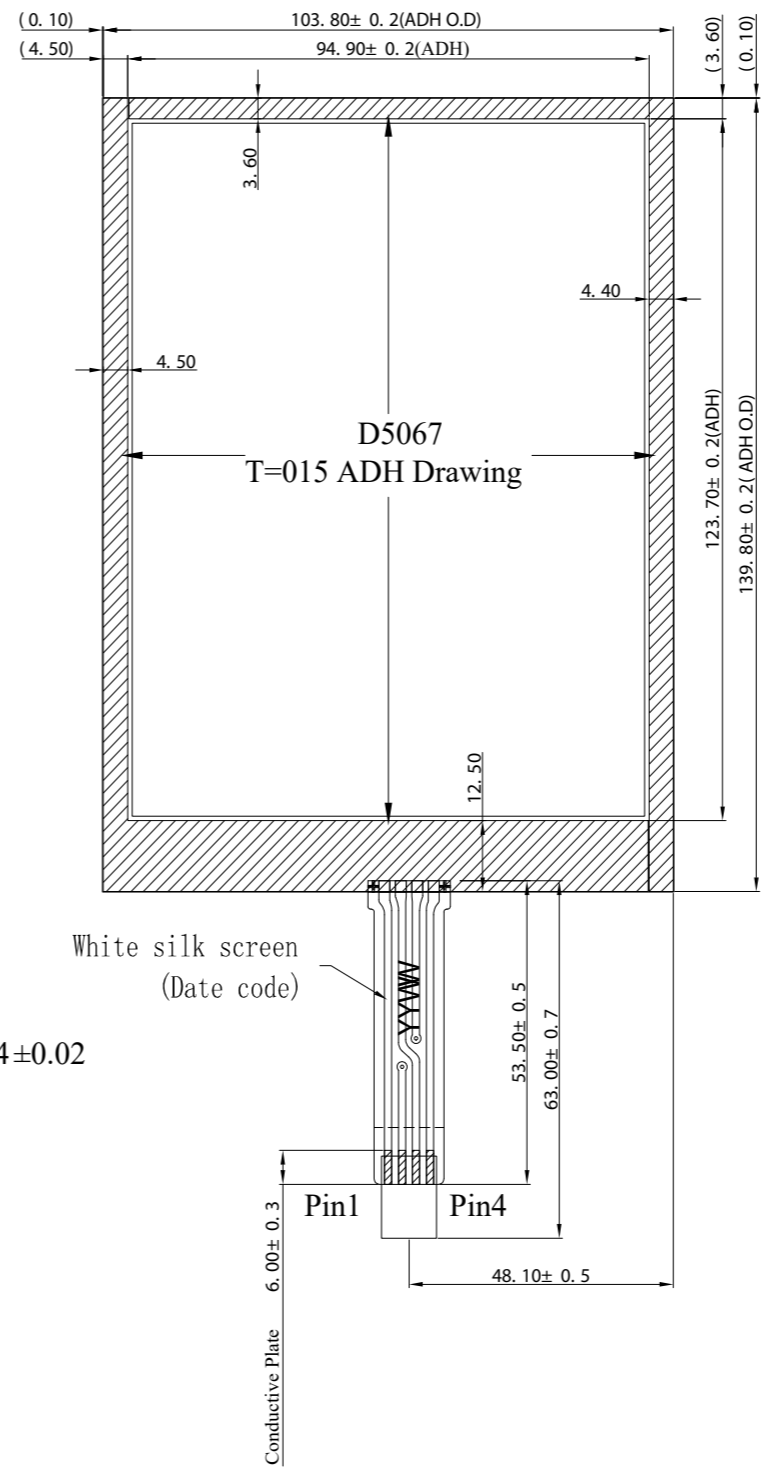
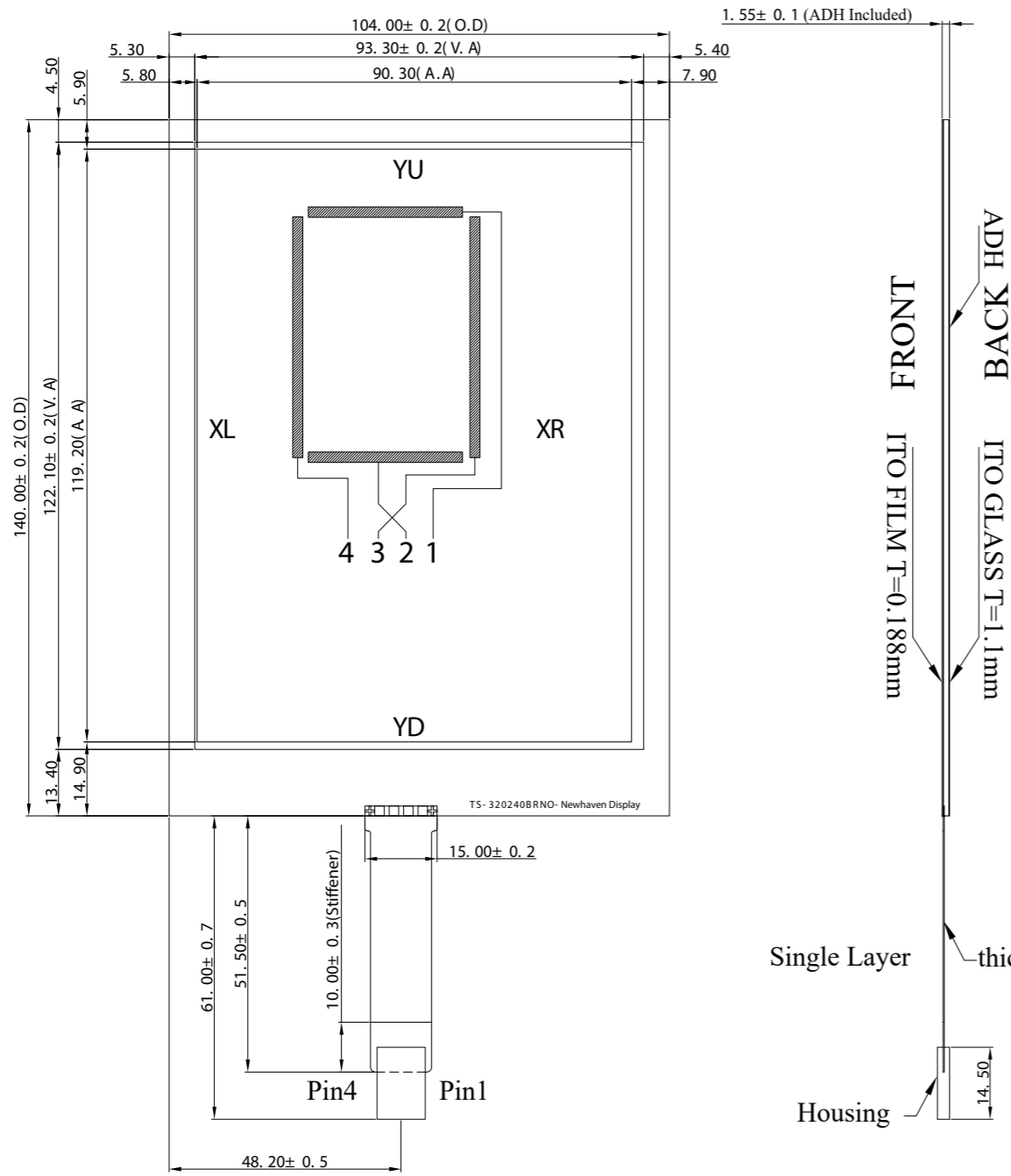
- **Support Forum:** <https://support.newhavendisplay.com/hc/en-us/community/topics>
- **GitHub:** <https://github.com/newhavendisplay>
- **Example Code:** <https://support.newhavendisplay.com/hc/en-us/categories/4409527834135-Example-Code/>
- **Knowledge Center:** https://www.newhavendisplay.com/knowledge_center.html
- **Quality Center:** https://www.newhavendisplay.com/quality_center.html
- **Precautions for using LCDs/LCMs:** <https://www.newhavendisplay.com/specs/precautions.pdf>
- **Warranty / Terms & Conditions:** <https://www.newhavendisplay.com/terms.html>



Document Revision History

Revision	Date	Description	Changed By
0	11/19/2020	Initial Product Release	AS
1	01/10/2023	Date Code Format updated	KL
2	04/18/2023	Mechanical Drawing Updated	KL

Mechanical Drawing



Single Layer thickness 0.24±0.02
Housing 14.50

Product Description: 320x240 Resistive Touch Panel

1. Type: Glass + Film
2. Interface: 4-wire
3. Power Requirement: 3V ~ 15V (1.0mA)
4. Resistance: 150~650Ω (X-axis), 350~1000Ω (Y-axis)
5. Operating Force: 30~100g
6. Surface Hardness: ≥3H
7. Transmittance: >78%
8. Recommended Pin Header: 4pin 2.54mm pitch

PIN OUT	
1	YU
2	YD
3	XR
4	XL

Standard Tolerance: (Unless otherwise specified) Linear: ±0.3mm		
	Drawing/Part Number: TS-320240BRNO	Revision: -
Unless otherwise specified: • Dimensions are in Millimeters • Third Angle Projection	Drawn By: K. Lewis	Approved By: K. Lewis
	Drawn Date: 04/18/2023	Approved Date: 04/18/2023
This drawing is solely the property of Newhaven Display International, Inc. The information it contains is not to be disclosed, reproduced or copied in whole or part without written approval from Newhaven Display.		

Touch Panel Characteristics

Item	Min	Typ.	Max	Unit
Operating Temperature Range	-10	-	+60	°C
Storage Temperature Range	-20	-	+70	°C
Terminal Resistance – X-Axis	150	-	650	Ω
Terminal Resistance – Y-Axis	350	-	1000	Ω
Insulation Resistance	20	-	-	MΩ
Operating Voltage	3	-	15	V
Chattering	-	-	10	ms
Activation Force	30	-	100	g
Pitting Durability	1,000,000	-	-	Touches
Pen Writing Durability	20,000	-	-	Characters
Surface Hardness	3	-	-	H
Transmittance	78	-	-	%
Haze	4	7	10	%

Quality Information

Test Item	Content of Test	Test Condition
High Temperature	Test the endurance of the touch panel at high temperature	+70°C, 96 Hrs.
High Temperature / Humidity	Test the endurance of the touch panel with high heat and humidity	+50°C 90%RH, 96 Hrs.
Low Temperature	Test the endurance of the touch panel at a low temperature.	-20°C, 96 Hrs.
Thermal Cycle	Test the durability of the display through a range of temperatures	-10° C – 60°C (60 min/cycle) 10 Times.