

PROPRIETARY INFORMATION:				REVISION			
PROPRIETARY OF GLOBTEK, INC. ANY REPRODUCTION, DISCLOSURE OR USE OF THIS DRAWING, IN WHOLE OR IN PART, IS HEREBY PROHIBITED EXCEPT AS SPECIFIED IN WRITING BY GLOBTEK, INC.				REV	DESCRIPTION	DATE	APPROVED
				A	INITIAL RELEASE	05/30/03	DMR
				B	UPDATE I/P CORD, RFS.2112, SO	08/26/03	DMR
				C	UPDATE I/P CORD, RFS.2422, DMR	10/20/03	DMR
H	UPDATE O/P CONNec., RFS. 9118, GC	08/09/06	HM	D	REVISE I/P CORD, FROM 5ADC TO 6.5ADC RFS.2795, DMR	01/06/04	DMR
I	ADD CH.ROHS, RFS. 10550, SO	03/25/07	HM	E	ADD WEEE TO LABEL, RFS. 7681, SO	01/04/06	DMR
J	UPDATE I/P CORD, RFS. 16806, GC	08/11/09	HM	F	CHANGE GIFT BOX SIZE, RFS. 8211, BS	03/29/06	DMR
				G	ADD 'CE' MARK TO LABEL, RFS. 8604, SO	06/06/06	HM

1. NOTES:

DIMENSIONS ARE IN MM UNLESS SPECIFIED OTHERWISE.

2. ELECTRICAL SPECIFICATIONS:

INPUT VOLTAGE: 10-15 VDC
INPUT CURRENT: <6.5A DC
OUTPUT VOLTAGE: 24 VDC

OUTPUT CURRENT : 0 ~ 2.3A
OUTPUT POWER (RATED): 50 WATTS MAX
SWITCHING FREQUENCY
OUTPUT RIPPLE (PEAK TO PEAK): 1% TYPICAL
OUTPUT REGULATION (LINE/LOAD): ± 5 % FOR MAIN OUTPUT, MEASURED AT O/P CONNECTOR
LINE REGULATION: ± 0.5 % MAX AT FULL LOAD
TURN ON/ TURN OFF OVERSHOOT: 4% MAX 500uS MAX RECOVERY TIME FOR 25% STEP LOAD
TURN-ON DELAY: 1 SEC MAX
HOLD-UP TIME: 16 mSEC MIN AT NOMINAL INPUT AND FULL LOAD
EFFICIENCY: 75 % TYPICAL
SWITCHING FREQUENCY: 100 KHZ TYPICAL
OVER-VOLTAGE PROTECTION: VOLTAGE LIMITED LESS 130% OF NOMINAL VOLTAGE
OVER-CURRENT / SHORT CIRCUIT: HICCUP WITH AUTO RECOVERY TO 1.1 - 1.3 I_o
OTHER PROTECTION: INPUT FUSING
SAFETY APPROVALS:
ITE MODEL(PENDING): UL60950, CUL TO 22.2# 950, TUV TI EN60950, CE CLASS I & II
DIELECTRIC WITHSTAND VOLTAGE: 4242 VDC PRIMARY-SECONDARY;1500 VAC PRIMARY- GROUND
SWITCHING FREQUENCY: 100 KHZ TYPICAL
OVER-VOLTAGE PROTECTION: VOLTAGE LIMITED LESS 130% OF NOMINAL VOLTAGE
OVER-CURRENT / SHORT CIRCUIT: HICCUP WITH AUTO RECOVERY TO 1.1 - 1.3 I_o
OTHER PROTECTION: INPUT FUSING
DIELECTRIC WITHSTAND VOLTAGE: 3000VAC PRIMARY-SECONDARY;1500 VAC PRIMARY- GROUND
LEAKAGE CURRENT: ≤ 0.25 mA
EMI: COMPLIES WITH EN55022 CLASS B AND FCC PART 15 CLASS B WHEN TESTED WITH A RESISTIVE LOAD, BOTH CONDUCTED AND RADIATED
CE MARK: TESTED TO COMPLY WITH EN61000-3-2 EN61000-3-3, AND EN50082-1, INCLUDING EN61000-4-2, EN61000-4-3, EN61000-4-4, EN61000-4-5, EN61000-4-6, EN61000-4-11. UNIT IS ELIGIBLE FOR CE MARK.
MTBF: 200,000 HOURS AT 25°C AMBIENT TEMPERATURE
OPERATING TEMPERATURE: 0°C TO 40° C
STORAGE TEMPERATURE: -40°C TO 80° C
HUMIDITY: 0% TO 90% RELATIVE HUMIDITY
ROHS: COMPLIES WITH EU 2002/95/EC AND CHINA SJ/T 11363-2006



Foot Note: Globtek Inc. will not be liable for the safety and performance of these power supplies if unauthorized access and repair occurs. End user should consult applicable UL, CSA or EN standards for proper installation instructions	DASH NO.	PART NO	REV.	DESCRIPTION	NOTES	
	TABULATION BLOCK					
	Limitation of Use: Globtek product are not authorized for use as mission critical components in life support, hazardous environment, nuclear or aircraft applications without prior written approval from the CEO of Globtek Inc.		TOLERANCES: DECIMALS ANGULAR .xx +/- 0.1 +/- 1° .xxx +/- .005		GlobTek, Inc. 186 Veterans Dr. Northvale, NJ 07647 www.globtek.com Tel. 201-784-1000 Fax 201.784.0111	
	INIT.BY: SO	DATE: 05/30/03	MILLIMETERS ANGULAR .xx +/- 0.3 +/- 1° .xxx +/- .013	DWG TITLE: SWITCHING POWER SUPPLY, 50 WATT, SINGLE OUTPUT, INPUT, ITE, 10-15VDC; CLASS I		
DRAWN: NF	DATE: 05/30/03	FSCN No.: G, Y	SIZE A	MODEL NO: GTD21148L-5024	REV. J	
Contents of this document are subject to change without prior notice	APRVD : DMR	DATE: 05/30/03	SCALE: NONE	PART NO: TR6J12300LCP-Y(R)	SHEET 1 OF 5	

PROPRIETARY INFORMATION:

PROPRIETARY OF GLOBTEK, INC. ANY REPRODUCTION, DISCLOSURE OR USE OF THIS DRAWING, IN WHOLE OR IN PART, IS HEREBY PROHIBITED EXCEPT AS SPECIFIED IN WRITING BY GLOBTEK, INC.

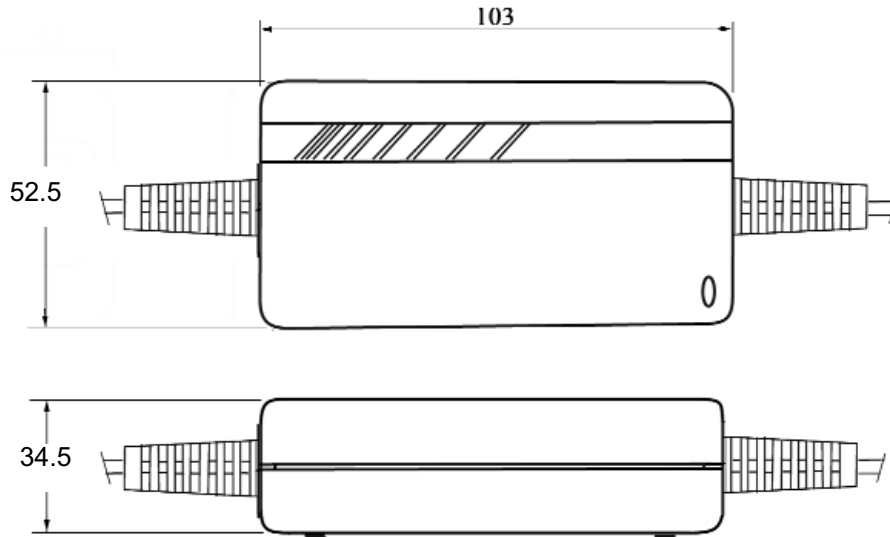
3. ENCLOSURE

UPPER HOUSING: HIGH IMPACT PLASTIC, 94V0 POLYCARBONATE, NON-VENTED, COLOR BLACK

LOWER HOUSING: HIGH IMPACT PLASTIC 94V0 POLYCARBONATE, NON- VENTED, COLOR BLACK

CLASS I MODELS:

SIZE: 103 x 52.5 x 34.5 ± 1 mm



GlobTek, Inc.
www.globtek.com

186 Veterans Dr. Northvale, NJ 07647
Tel. 201-784-1000 Fax 201.784.0111

DWG TITLE: SWITCHING POWER SUPPLY, 50 WATT, SINGLE OUTPUT,
INPUT, ITE, 10-15VDC; CLASS I

MODEL NO: GTD21148L-5024

REV.
J

PART NO: TR6JI2300LCP-Y(R)

SHEET 2 OF 5

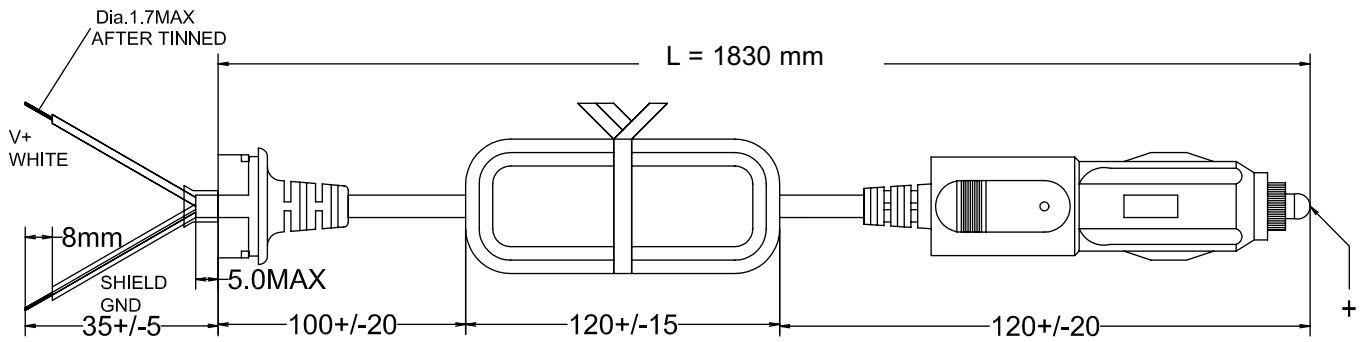
PROPRIETARY INFORMATION:
 PROPRIETARY OF GLOBTEK, INC. ANY REPRODUCTION, DISCLOSURE OR
 USE OF THIS DRAWING, IN WHOLE OR IN PART, IS HEREBY
 PROHIBITED EXCEPT AS SPECIFIED IN WRITING BY GLOBTEK, INC.

4. INPUT CORD:

1 CONDUCTOR+SHIELD, 16AWG STRANDED WIRE, UL1185 ROUND CORD TYPE, COLOR BLACK,
 LENGTH (L) OF THE CORD: 1830 ± 50 mm.
 CORD IS MEASURED FROM THE HOUSING TO THE END OF OVERMOLD OF THE CONNECTOR.
 CABLE MARKED WITH WIRE GAUGE, AND ALL APPLICABLE RATING AND SAFETY APPROVALS.

5. INPUT CONNECTOR:

CAR MALE CIGARETTE LIGHTER DC POWER PLUG (+,-) TIP POSITIVE WITH 10A/125V SLO-BLO FUSE

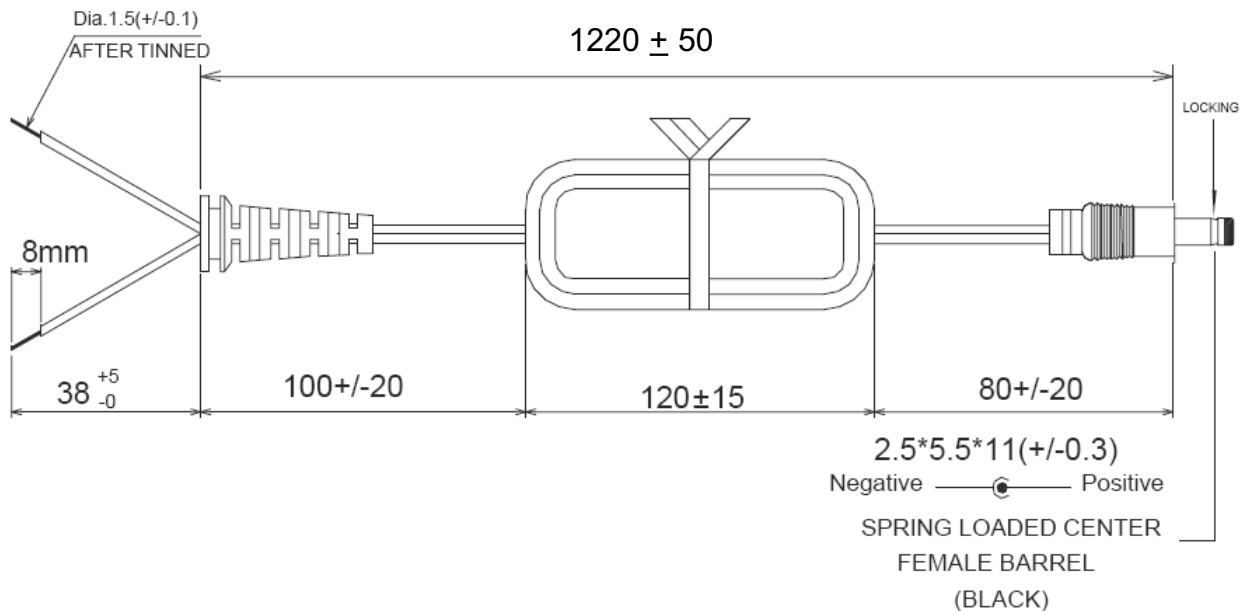



6. OUTPUT CORD:

STANDARD, 2 CONDUCTOR, 20 AWG STRANDED WIRE, FLAT UL VW-1 RATED SPT-1 CORD TYPE, COLOR BLACK,
 LENGTH OF CORD: 1220 ± 50 mm. CORD IS MEASURED FROM THE HOUSING TO THE END TO THE OVERMOLD OF
 THE CONNECTOR. CABLE IS TO BE MARKED WITH WIRE GAUGE, AND ALL APPLICABLE RATING AND SAFETY
 APPROVALS.

7. OUTPUT CONNECTOR:

STANDARD, STRAIGHT FEMALE BARREL IS 5.5 x 2.5 x 11mm SPRING LOADED CENTER) WITH CENTER POSITIVE



 GlobTek, Inc. www.globtek.com		186 Veterans Dr. Northvale, NJ 07647 Tel. 201-784-1000 Fax 201.784.0111
DWG TITLE: SWITCHING POWER SUPPLY, 50 WATT, SINGLE OUTPUT, INPUT, ITE, 10-15VDC; CLASS I		
MODEL NO: GTD21148L-5024	REV. J	
PART NO: TR6JI2300LCP-Y(R)	SHEET 3 OF 5	

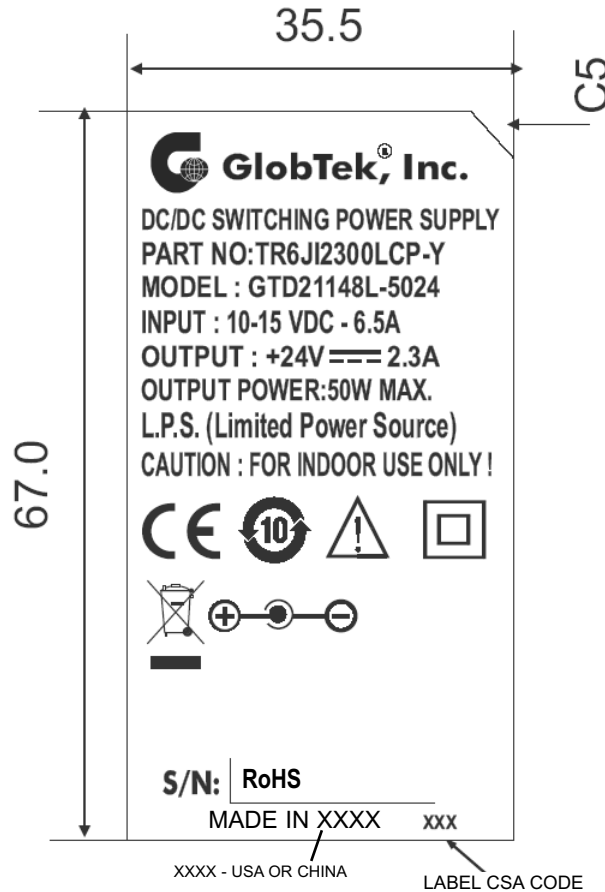
PROPRIETARY INFORMATION:

PROPRIETARY OF GLOBTEK, INC. ANY REPRODUCTION, DISCLOSURE OR USE OF THIS DRAWING, IN WHOLE OR IN PART, IS HEREBY PROHIBITED EXCEPT AS SPECIFIED IN WRITING BY GLOBTEK, INC.


8. LABEL:

MATERIAL: .007 (0.18) THICK FLAT THERMAL TRANSFER, IMPRINTABLE, BLACK POLYESTER SHEET WITH WHITE TEXT.

MANUFACTURER: STEVEN LABEL, MATERIAL I.D. NO. 3302-33, UL FILE NO. MH12821(N), UL MATERIAL DESIGNATION FILE NO. GW332RL. OPTIONAL LABEL MATERIAL CAN BE SUBSTITUTED PROVIDING MATERIAL IS UL LISTED AND COMPLIES WITH APPLICABLE SAFETY REQUIREMENTS.



ACTUAL POSITIONING OF SYMBOLS AND TEXT IS SUBJECT TO CHANGE AT TIME OF MANUFACTURE

 GlobTek, Inc. www.globtek.com	186 Veterans Dr. Northvale, NJ 07647 Tel. 201-784-1000 Fax 201.784.0111
DWG TITLE: SWITCHING POWER SUPPLY, 50 WATT, SINGLE OUTPUT, INPUT, ITE, 10-15VDC; CLASS I	
MODEL NO: GTD21148L-5024	REV. J
PART NO: TR6JI2300LCP-Y(R)	SHEET 4 OF 5

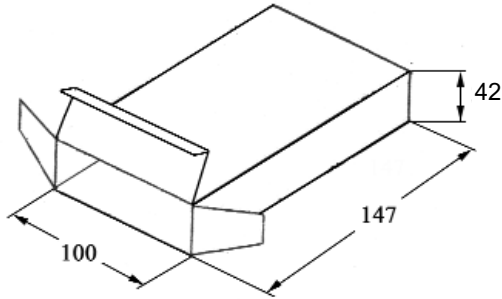
PROPRIETARY INFORMATION:

PROPRIETARY OF GLOBTEK, INC. ANY REPRODUCTION, DISCLOSURE OR USE OF THIS DRAWING, IN WHOLE OR IN PART, IS HEREBY PROHIBITED EXCEPT AS SPECIFIED IN WRITING BY GLOBTEK, INC.

9. INDIVIDUAL PACKING BOX:

MATERIAL: CORRUGATED FIBERBOARD, F-FLUTE 0.8 (2.0) THICK, DOUBLE WALL CONSTRUCTION.

EXTERNAL FINISH: WHITE, COATED WITH GLOSS FINISH (AQUEOUS OR VARNISH) STYLE: TUCK SIDES WITH LOCKING TABS ON BOTH SIDES OF BOX. NO PRINTING ON THE OUTSIDE OF BOX.

**China RoHS SELF DISCLOSURE TABLE**

有毒有害物质或元素名称及含量标准形式 Name and concentration of hazardous substance or element in product						
零件名 Name of part	剧毒有害物质或元素 Hazardous substance or element					
	铅 Pb	汞 Hg	镉 Cd	六价铬 Cr(VI)	多溴联苯 PBB	多溴二苯醚 PBDE
输出线材料 DC CABLE	X	O	O	O	O	O
输入插座 AC SOCKET	X	O	O	O	O	O
二极管 SMD ZENER	X	O	O	O	O	O
<p>O: 表示该有毒有害物质在这部件中所有同质材料中的含量均在SJ/T 11363-2006规定的限量要求以下。 O: refers to the concentration of this hazard substance in the all homogenous materials in this part is below the concentration limit as stipulated in the standard SJ/T 11363-2006.</p> <p>X: 表示该有毒有害物质至少在这部件中的某一同质材料中的含量超出 SJ/T 11363-2006规定的限量要求。 X: refers to the concentration of this hazard substance at least in a homogenous material is higher than the concentration limit as stipulated in the standard SJ/T 11363-2006.</p>						

GlobTek, Inc.
www.globtek.com

186 Veterans Dr. Northvale, NJ 07647
Tel. 201-784-1000 Fax 201.784.0111

DWG TITLE: SWITCHING POWER SUPPLY, 50 WATT, SINGLE OUTPUT,
INPUT, ITE, 10-15VDC; CLASS I

MODEL NO: GTD21148L-5024

REV.
J

PART NO: TR6JI2300LCP-Y(R)

SHEET 5 OF 5