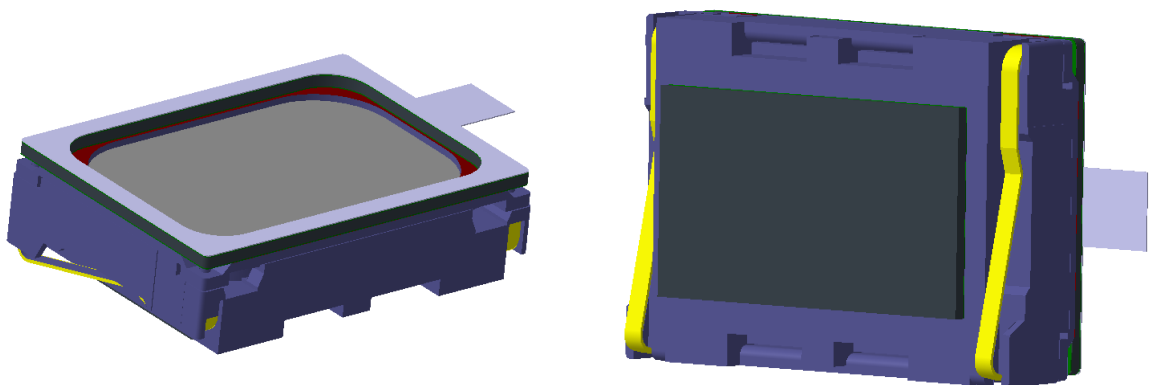


13x18 Loudspeaker

with waterproof front gasket and read pad

TR1813L042YN8GDAP-2



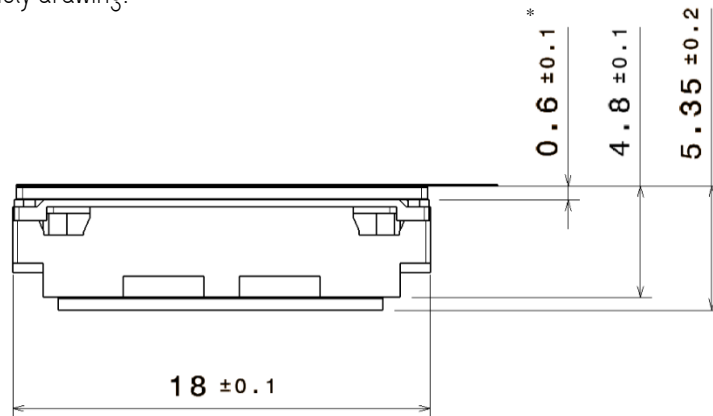
Revision

Date	Version	Status	Changes	Approver
2019/02/12	V0.1	Draft	First release with UL components	Lionel
2019/02/13	V0.2	Draft	Add technical information	Lionel
2019/02/21	V0.3	Draft	Add compression curve	Lionel
2019/02/25	V0.4	Draft	Improve temperature range	Lionel
2021/05/21	V0.5	Release	Add packaging information	Lionel

1. Mechanical Characteristics

1.1. Mechanical Drawing

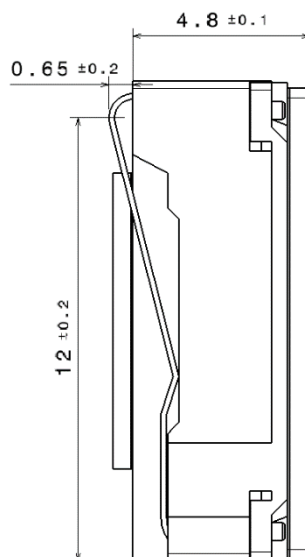
1.1.1. Assembly drawing:



*Thickness before compression and not including removable pull-tab

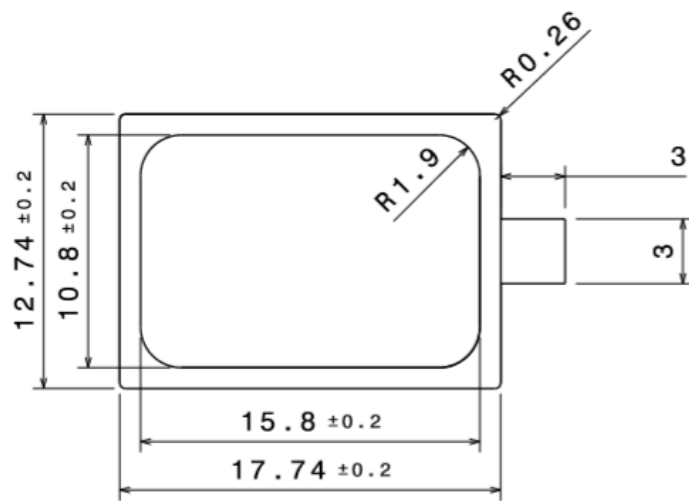
*Thickness of gasket with max effort (5N) :0.3mm

1.1.2. Spring contact details:

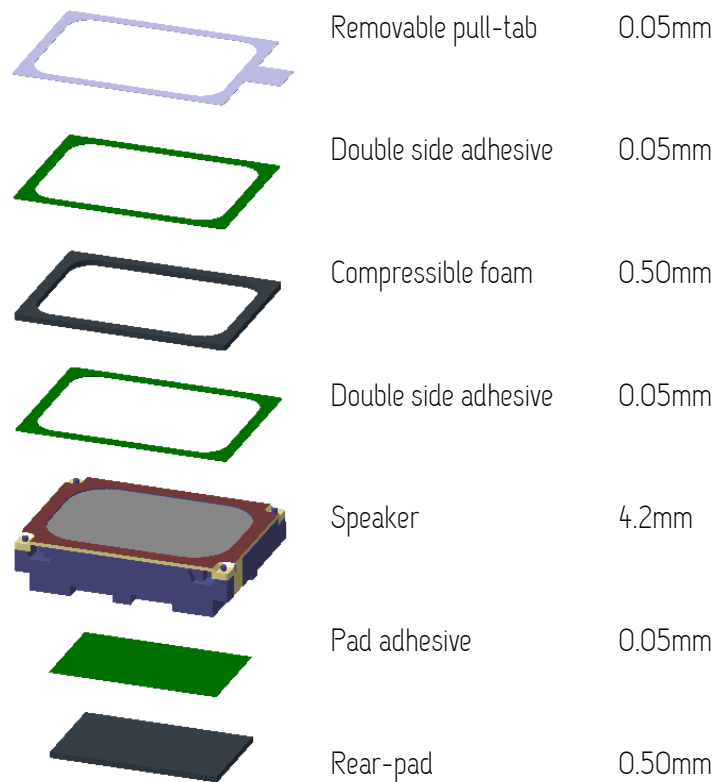


*Thickness before compression and not including removable pull-tab

1.1.3. Gasket drawing:



1.1.4. Assembly details:



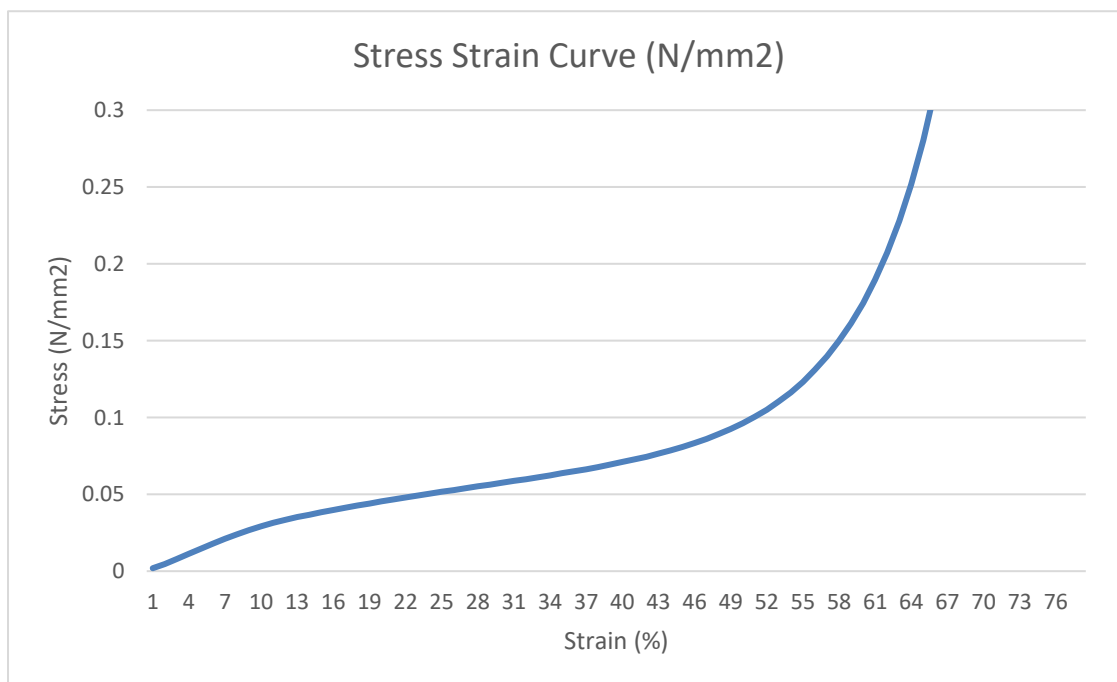
1.2. Material List

Speaker see specification	TR1813LO42YN8
Gasket: See specification	GASKET13x18-11
Rear pad: See specification	PAD14X8-2

1.3. Technical information

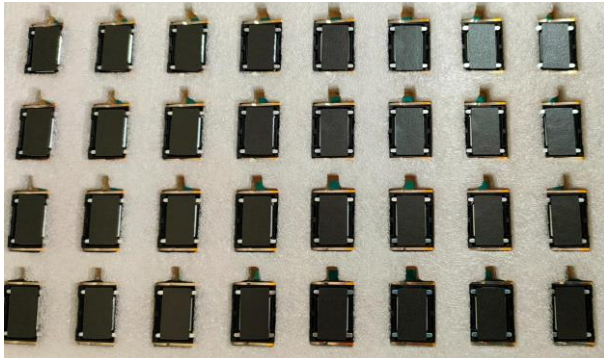
IP rating	IPx7
Storage temperature	Min: -30°C / Max: +85°C
Operation temperature	Min: -20°C / Max: +70°C

1.4. Gasket compression curve



2. Packaging

- 170 pieces / tray
- 25 tray / carton
- 4250 pieces / carton



Tray details



25 trays in 1 carton

3. Related document

TR1813LO42YN8 dedicated datasheet