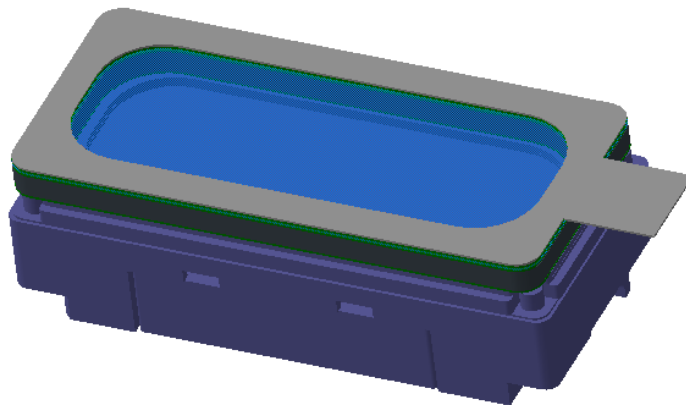


12x05 Speaker
with waterproof gasket and mesh

TR1205S030YN8WPGDA



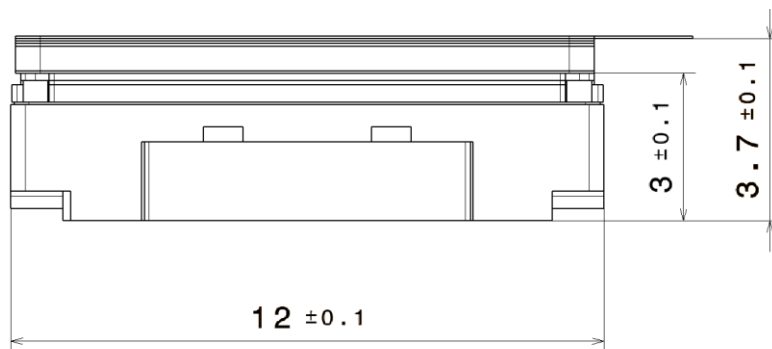
Revision

Date	Version	Status	Changes	Approver
2018/10/30	V0.1	Draft	First release	Lionel
2019/02/18	V0.2		Correction "Receiver" to "Speaker"	Frederic

1. Mechanical Characteristics

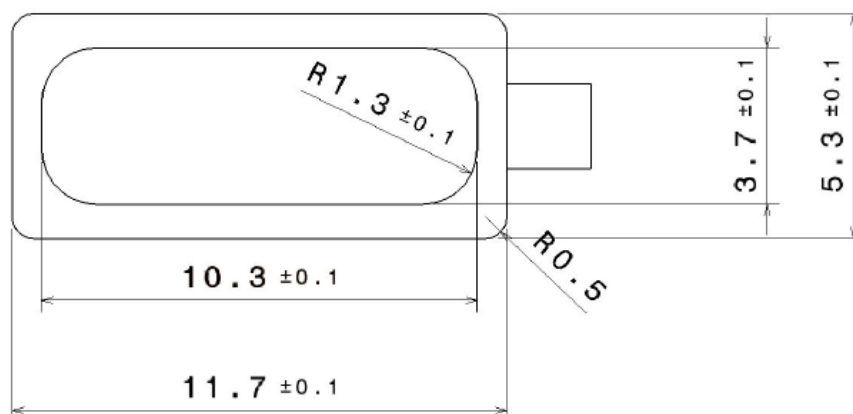
1.1. Mechanical Drawing

1.1.1. Assembly drawing:



*Thickness before compression and not including removable pull-tab

1.1.2. Gasket drawing:



1.1.3. Assembly details:



1.2. Material List

Speaker see specification	TR1205S030YN8
IPX4 Gasket: See specification	GASKET12X5WP

2. Related document

TR1205S030YN8 dedicated datasheet