

## **TPS65987-90 Evaluation Module**

This user's guide describes the TPS65987 evaluation module (TPS65987-90EVM). The TPS65987-90EVM allows for evaluation of the TPS65987 device as part of a stand-alone testing kit and for development and testing of USB Type-C™ and Power Delivery (PD) end products.

### **Contents**

1	Introduction .....	2
2	Setup .....	3
3	Using the TPS65987-90EVM.....	7
4	Schematic .....	8
5	Bill of Materials .....	14

### **List of Figures**

1	TPS65987-90EVM Board.....	2
2	TPS65987-90EVM Block Level Diagram .....	3
3	Power Path Jumper Configuration for Source or Sink .....	4
4	USB Type-C™ and DP Expansion Pack Connectors.....	8
5	FTDI Device and Connector .....	9
6	USB PD Controller and Memory .....	10
7	USB PD Power Paths .....	11
8	Variable DC/DC Controller .....	12
9	Buck and Boost DC/DC Convertors .....	13

### **List of Tables**

1	Jumper Configuration .....	4
2	Connector Functionality.....	5
3	Test Points.....	5
4	LEDs.....	5
5	S1 Switch Bank .....	6
6	S4 Switch Bank .....	6
7	Push Buttons .....	6
8	TPS65987-90EVM Bill of Materials .....	14

### **Trademarks**

USB Type-C is a trademark of USB Implementers Forum.  
 DisplayPort is a trademark of Video Electronics Standards Association.  
 All other trademarks are the property of their respective owners.

# 1 Introduction

Texas Instrument's (TI's) TPS65987-90 evaluation module helps designers evaluate the operation and performance of the TPS65987 device.

The TPS65987 device is a USB Type-C and Power Delivery (PD) controller providing cable plug and orientation detection at the USB Type-C connector. Upon cable detection, the TPS65987 communicates on the CC wire using the USB PD protocol. When cable detection and USB PD negotiation are complete, the TPS65987 device enables the appropriate power path and configures *Alternate Mode* settings for external multiplexers. The TPS65987D device has two internal power paths that can source or sink up to 5 A. The EVM is customizable through the *TPS65987 Application Customization Tool*. Additionally, the EVM is equipped with an FTDI chip for flashing a new project through SPI or I<sup>2</sup>C for debugging and development.

Figure 1 shows the TPS65987-90EVM board and Figure 2 shows a block level diagram.

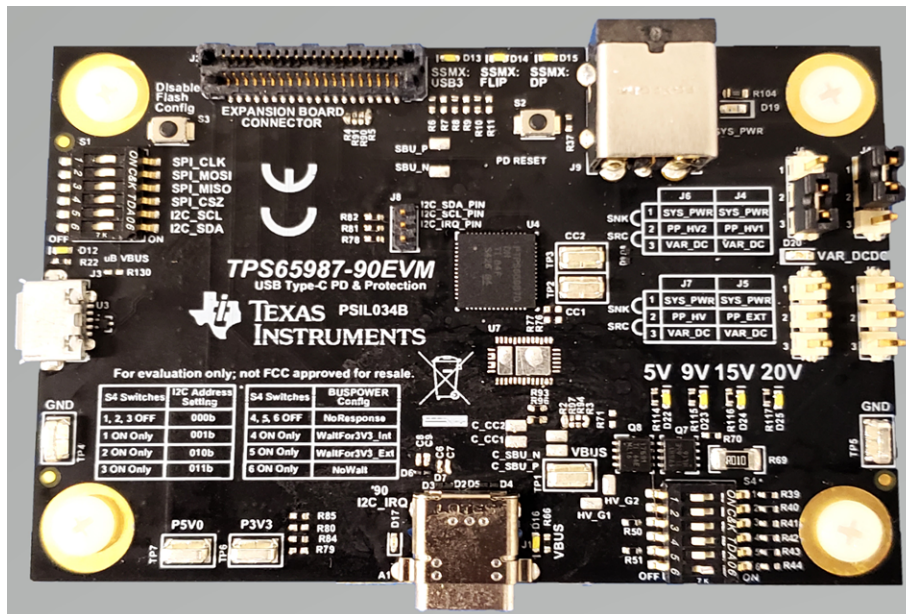
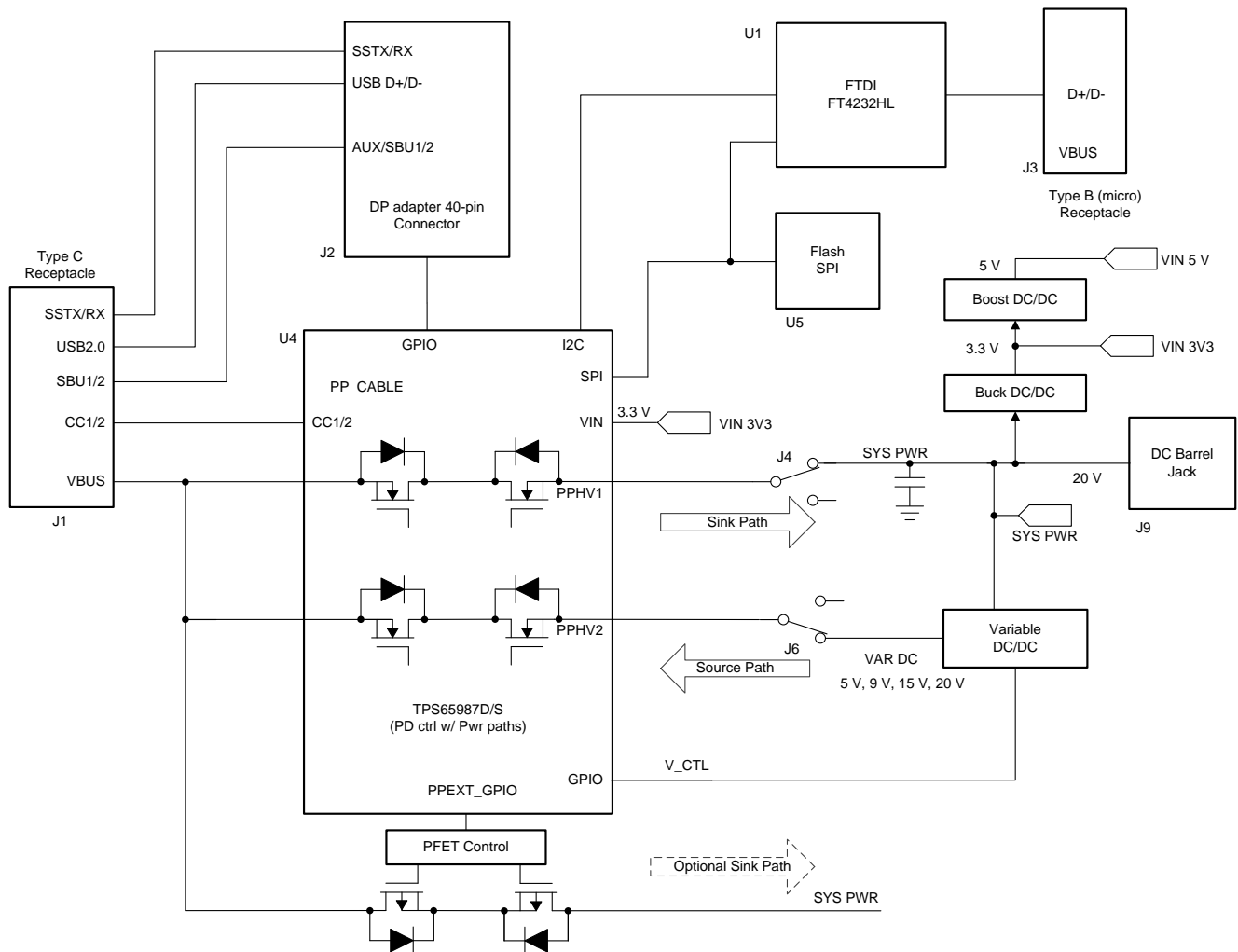


Figure 1. TPS65987-90EVM Board



**Figure 2. TPS65987-90EVM Block Level Diagram**

## 1.1 Items Required for Operation

The following is required to operate the EVM:

- TPS65987x Data Sheet
- TPS65987-90EVM
- *TPS65987-90EVM Application Customization Tool (GUI)*
- 20-V barrel jack adapter or dc power supply
- Active or e-marked USB Type-C cables
- USB Type-A to USB Micro-B cable ( for configuration customization, debugging and updating FW flash)
- [DP-EXPANSION-EVM](#) for testing DisplayPort™, USB data, or both

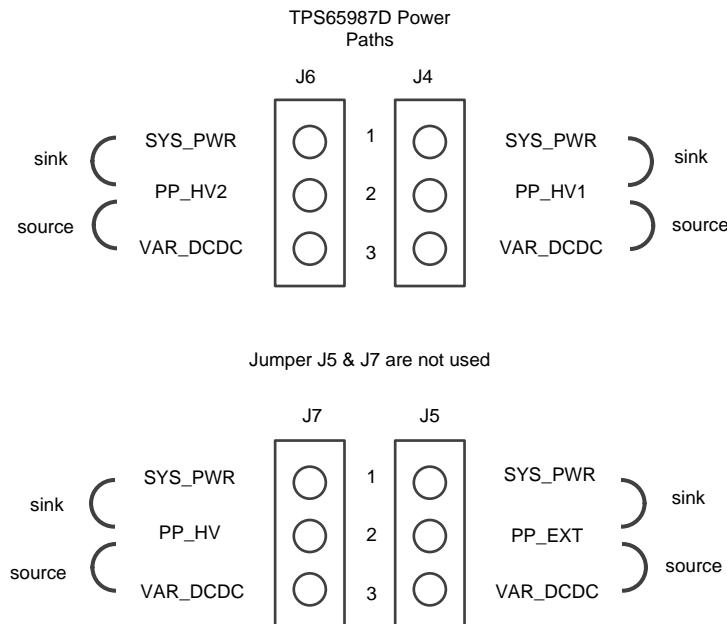
## 2 Setup

This section describes the header and jumper connections on the EVM and getting started using the TPS65987-90EVM.

## 2.1 Jumper Configuration

Out of the box, the TPS65987\_90EVM is configured to use TPS65987's PPHV1 as sink path (J4) and PPHV2 as source path (J6), which matches the configuration of firmware already programmed in the device. Using Application Customization Tool each of this power path can be programmed as either source or sink.

Remember, the jumper configuration in the hardware must match the source and sink paths in the software, *Application Customization Tool (GUI)*. See [Figure 3](#) and [Table 1](#) for the jumper configuration.



**Figure 3. Power Path Jumper Configuration for Source or Sink**

**Table 1. Jumper Configuration**

Jumper	Description
J4	TPS65987D power path: Jump pins 1-2 to sink on PP_HV1, or jump pins 2-3 to source on PP_HV1
J6	TPS65987D power path: Jump pins 1-2 to sink on PP_HV2, or jump pins 2-3 to source on PP_HV2

## 2.2 Connector Functionality

Table 2 lists the TPS65987-90EVM connector and functionality.

**Table 2. Connector Functionality**

Designator	Description
J1	USB Type-C connector: TI recommends using an active or e-marked USB Type-c cable
J2	Expansion board connector: Connect the DP-EXPANSION-EVM to evaluate DisplayPort and USB3.2 data
J3	Micro-B connector: Connect to a PC to flash a project on the PD controller. You must download the <i>Application Customization Tool (GUI)</i> to flash a project properly.
J9	Barrel jack connector: Use a 19-V to 20-V DC supply. A standard Dell or HP notebook adapter (or similar) will provide the required power.

## 2.3 Test Points

Table 3 lists the TPS65987-90EVM test points.

**Table 3. Test Points**

Test Point	Label	Description
TP1	VBUS	$V_{BUS}$ voltage on the USB Type-C connector. Sourcing and sinking is always in reference to $V_{BUS}$ (Source to $V_{BUS}$ or sink from $V_{BUS}$ ).
TP2	CC1	System side CC1. This could be VCONN or CC depending on polarity flip of the USB Type-C cable.
TP3	CC2	System side CC2. This could be VCONN or CC depending on polarity flip of the USB Type-C cable.
TP4, TP5	GND	Ground reference for entire board
TP6	P3V3	Output of 3.3-V DC/DC convertor to power up all ICs on the EVM
TP7	P5V0	Output of 5-V DC/DC convertor used for PP_CABLE (VCONN)

## 2.4 LEDs

Table 4 lists the TPS65987-90EVM LEDs.

**Table 4. LEDs**

Designator	Label	Description
D12	$\mu$ B VBUS	White LED that shows when the $\mu$ B port is connected (FTDI for GUI).
D13	SSMX: DP <sup>(1)</sup>	White LED that shows when the TPS65987D device has enabled this signal for the super-speed MUX in the DP-EXPANSION-EVM (depending on version of EVM the silkscreen may appear to show this signal swapped with SSMX: USB3)
D14	SSMX: FLIP	White LED that shows when the TPS65987D device has enabled this signal for the super-speed MUX in the DP-EXPANSION-EVM
D15	SSMX: USB3 <sup>(1)</sup>	White LED that shows when the TPS65987D device has enabled this signal for the super-speed MUX in the DP-EXPANSION-EVM
D16	VBUS	White LED that shows when $V_{BUS}$ has a voltage of 5 V, 9 V, 15 V, or 20 V
D19	SYS_PWR	Blue LED that shows when the barrel jack is connected
D20	VAR_DCDC	Green LED that shows when there is a voltage on the variable DC/DC controller (U9). When the EVM acts as a source, D20 lights up.
D22	PDO_0	White LED that shows when there is a 5-V PD contract (only shown when sourcing)
D22	PDO_1	White LED that shows when there is a 9-V PD contract (only shown when sourcing)
D24	PDO_2	White LED that shows when there is a 15-V PD contract (only shown when sourcing)
D25	PDO_3	White LED that shows when there is a 20-V PD contract (only shown when sourcing)

<sup>(1)</sup> On the EVM board silkscreen print the SSMX: DP and SSMX: USB3 signals are swapped.

## 2.5 Switches

Table 5, Table 6, and Table 7 lists the TPS65987-90EVM switches. For S1, make sure to leave all six switches in the ON position (to the right) for flashing a project and debugging. For S4 Switch: EVM out of th box should have S4->4 (BP\_WaitFor3V3\_Internal) as on(right). This ensures that PD controller enables internal paths in dead battery mode. This switch can be turned off(left) if EVM is used as source only.

**Table 5. S1 Switch Bank**

Switch (S1)	Description
1: SPI_CLK	Connects SPI_CLK node from FTDI to TPS65987D, EEPROM when the switch is in the ON position (to the right), and disconnects when in the OFF position (to the left)
2: SPI_MOSI	Connects SPI_MOSI node from FTDI to TPS65987D, EEPROM when the switch is in the ON position (to the right), and disconnects when in the OFF position (to the left)
3: SPI_MISO	Connects SPI_MISO node from FTDI to TPS65987D, EEPROM when the switch is in the ON position (to the right), and disconnects when in the OFF position (to the left)
4: SPI_CSZ	Connects SPI_CSZ node from FTDI to TPS65987D, EEPROM when the switch is in the ON position (to the right), and disconnects when in the OFF position (to the left)
5: I2C_SCL	Connects I2C_SCL node from FTDI to TPS65987D, EEPROM when the switch is in the ON position (to the right), and disconnects when in the OFF position (to the left)
6: I2C_SDA	Connects I2C_SDA node from FTDI to TPS65987D, EEPROM when the switch is in the ON position (to the right), and disconnects when in the OFF position (to the left)

**Table 6. S4 Switch Bank**

Switch (S4)	Description
1, 2, 3 OFF	I2C address selection: 000b
1 ON Only	I2C address selection: 001b
2 ON Only	I2C address selection: 010b
3 ON Only	I2C address selection: 011b
4, 5, 6 OFF	Dead battery mode: BP_NoResponse
4 ON Only	Dead battery mode: BP_WaitFor3V3_Internal
5 ON Only	Dead battery mode: BP_WaitFor3V3_External
6 ON Only	Dead battery mode: BP_NoWait

**Table 7. Push Buttons**

Designator	Label	Description
S2	PD Reset	This switch is a push-button that pulls the HRESET pin (44) of the TPS65987D device high when pressed. Releasing the push-button pulsl HRESET low again, and the TPS65987D device goes through a soft reset, which consists of reloading firmware from RAM. If a valid configuration is present in RAM, the TPS65988 device will not reload configuration from the external flash.
S3	Disable Flash Config	This push button switch will hold the SPI Miso line to GND. Use this button when booting the device. If this button is pressed when the device is booting, the TPS65987D device does not load its configuration from the SPI Flash and instead boots into a default ROM configuration.

### 3 Using the TPS65987-90EVM

This section discusses how to power the EVM, configure the firmware, and how to debug.

#### 3.1 Powering the TPS65987-90EVM

The main power supply for the EVM is the barrel jack (J9), which accepts 19 V to 20 V via a barrel jack adapter. The EVM can also be powered with an external power supply on SYS\_PWR (pin 1 of J4, J5, J6, or J7). The input voltage can range from 5 V to 20 V, but configure the appropriate power profile for PP\_HV in the firmware using the configuration tool. The EVM can also be powered as a sink through a USB Type-C cable from a source adaptor, EVM, or device.

#### 3.2 Firmware Configurations

Out of the box, the TPS65987-90EVM is configured to emulate a single port laptop computer. This configuration can be used to source or sink power known as (DRP), and this configuration sets DFP\_D (Downward Facing Port). on DP expansion connector a DP\_EXPANSION (source) EVM can be connected to test Display port alternate mode. If different configurations are required to test your system, use the *TPS65987\_8 Application Configuration Tool (GUI)* to create a configuration or load a different configuration template.

#### 3.3 Debugging the EVM

The following checks can help resolve issues when connecting the EVM to another EVM or USB Type-C device and no status LEDs are on:

- Make sure that a firmware image is loaded on the TPS65987-90EVM, using the *TPS65987\_8 Application Configuration Tool (GUI)*.
- Make sure the CC lines are toggling for dual-role port functionality.
- Make sure the following system supplies:
  - P3V3 = 3.3 V
  - P5V0 = 5 V
  - Barrel jack / SYS\_PWR = 20 V (when plugged in)
  - VAR\_DCDC = 5 V (when barrel jack is plugged in without a USB Type-C attached cable or device)
  - V<sub>BUS</sub> = 5 V, 9 V, 15 V, or 20 V (when USB Type-C port is attached to another EVM or device)

## 4 Schematic

Figure 4 to Figure 9 illustrate the TPS65987-90EVM schematics.

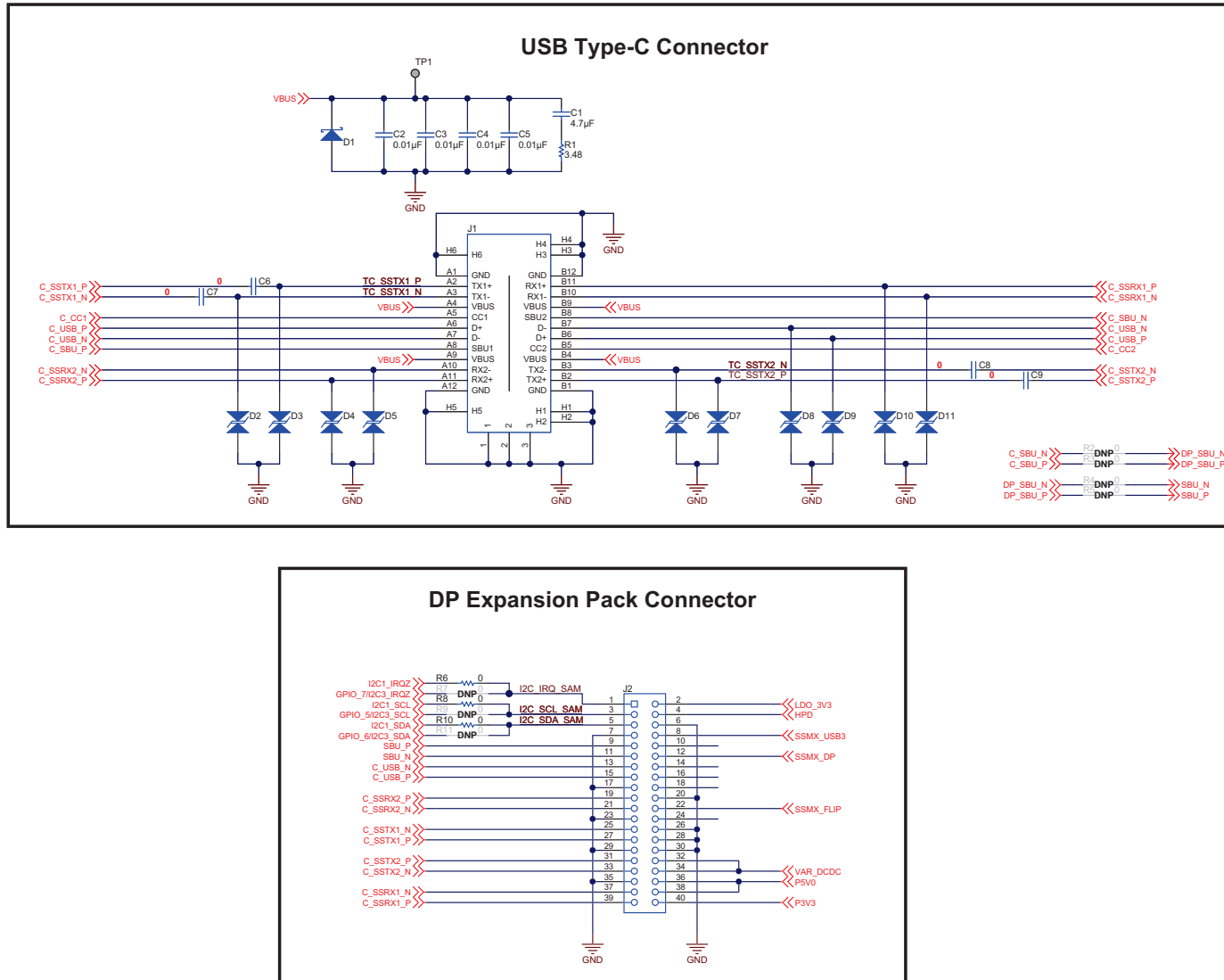


Figure 4. USB Type-C™ and DP Expansion Pack Connectors



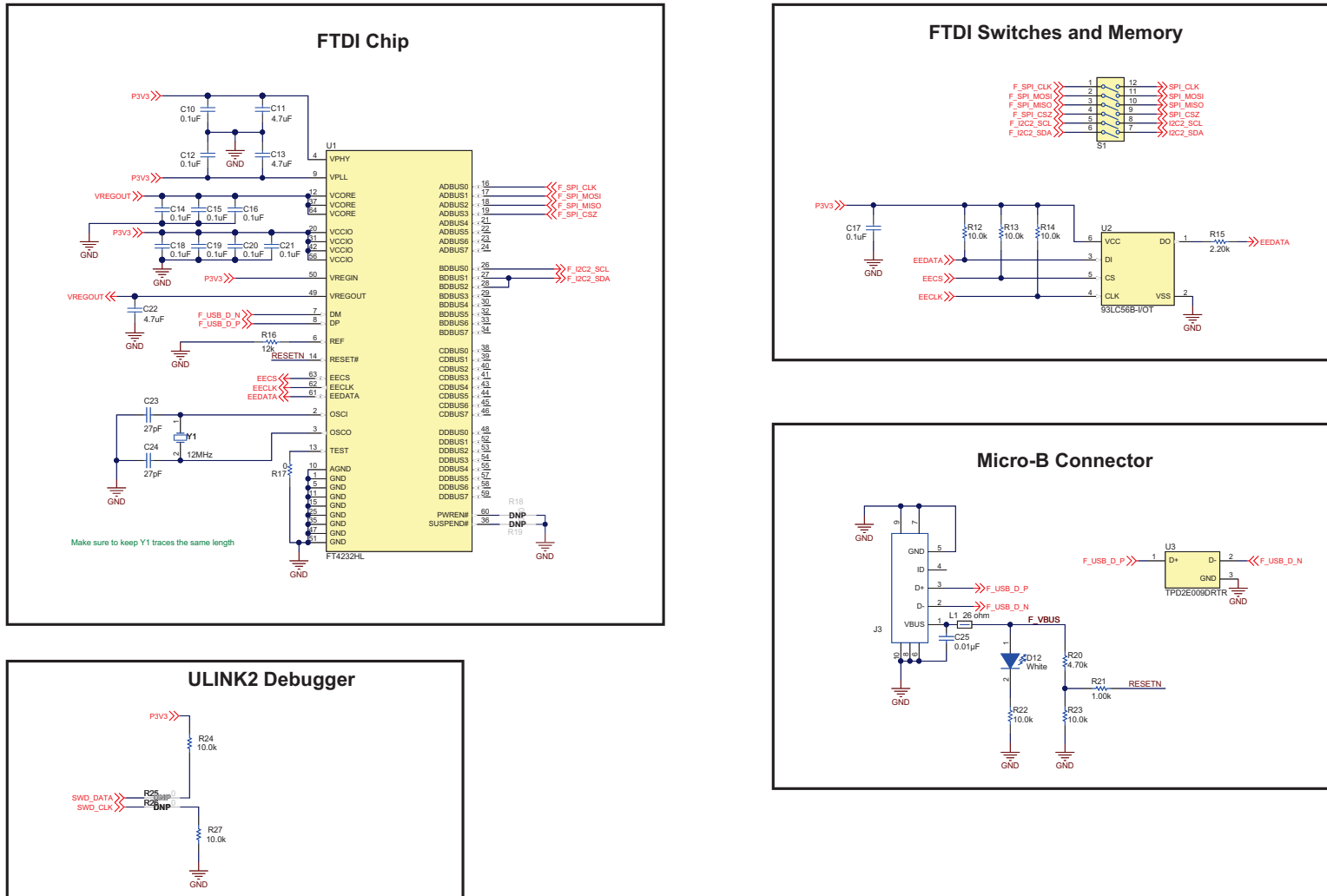


Figure 5. FTDI Device and Connector

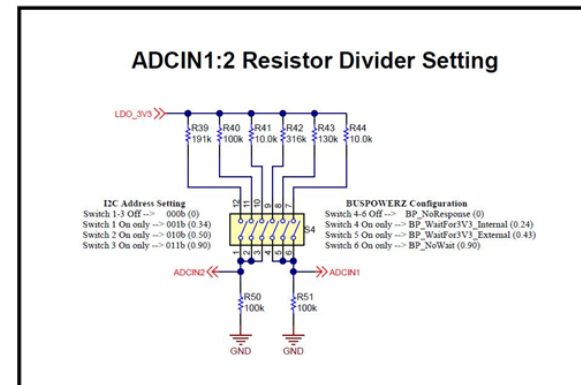
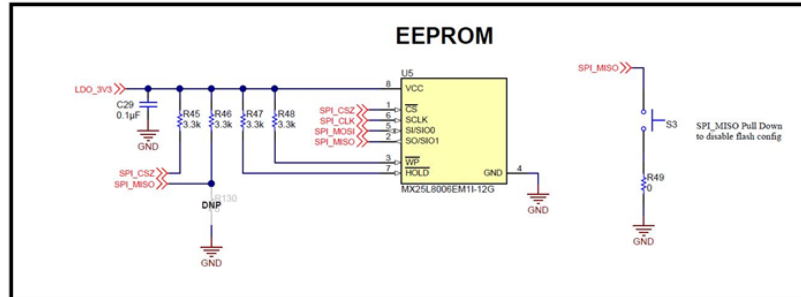
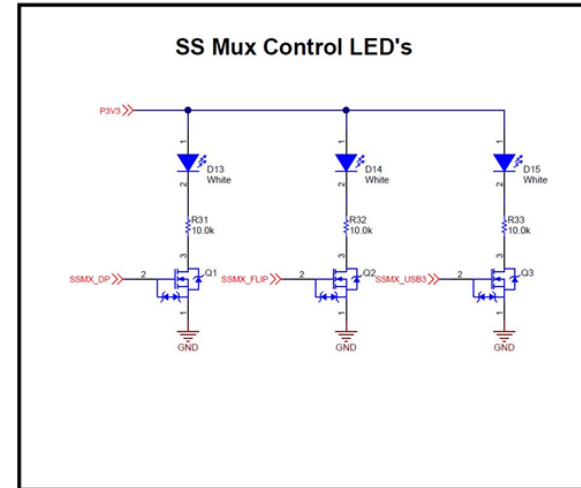
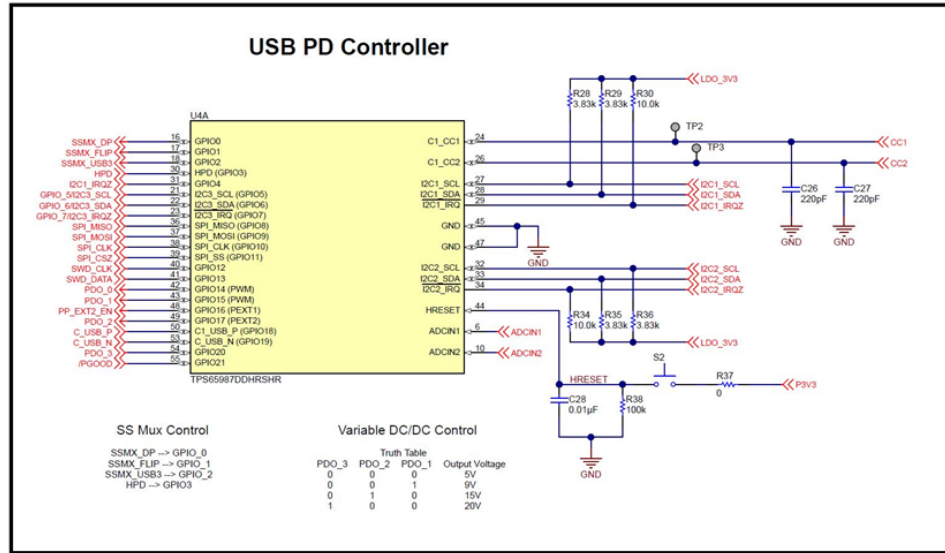


Figure 6. USB PD Controller and Memory

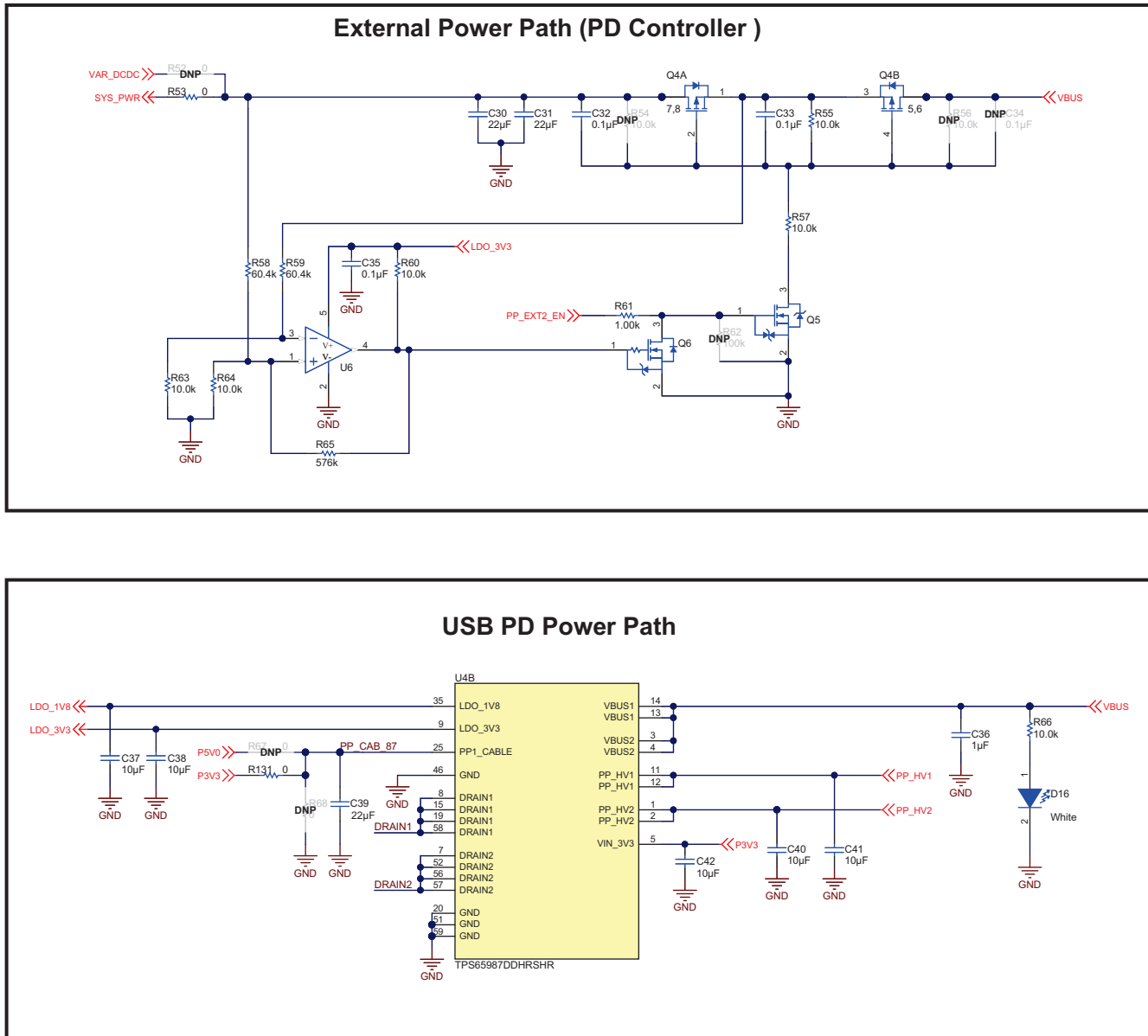


Figure 7. USB PD Power Paths

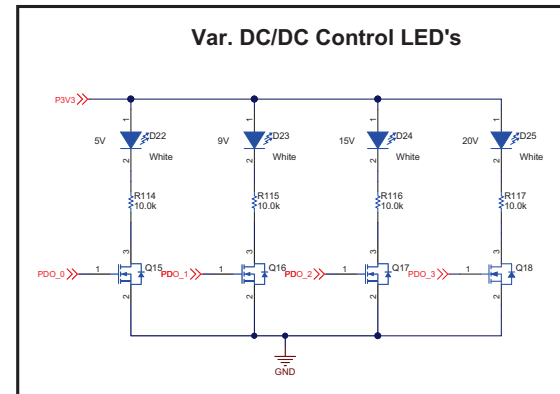
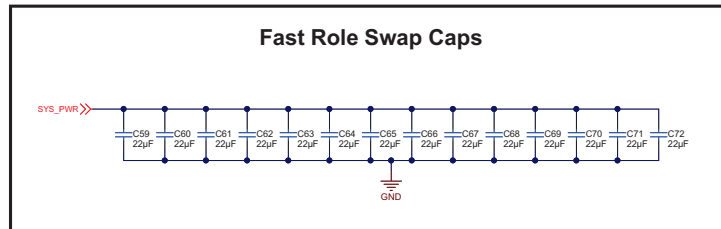
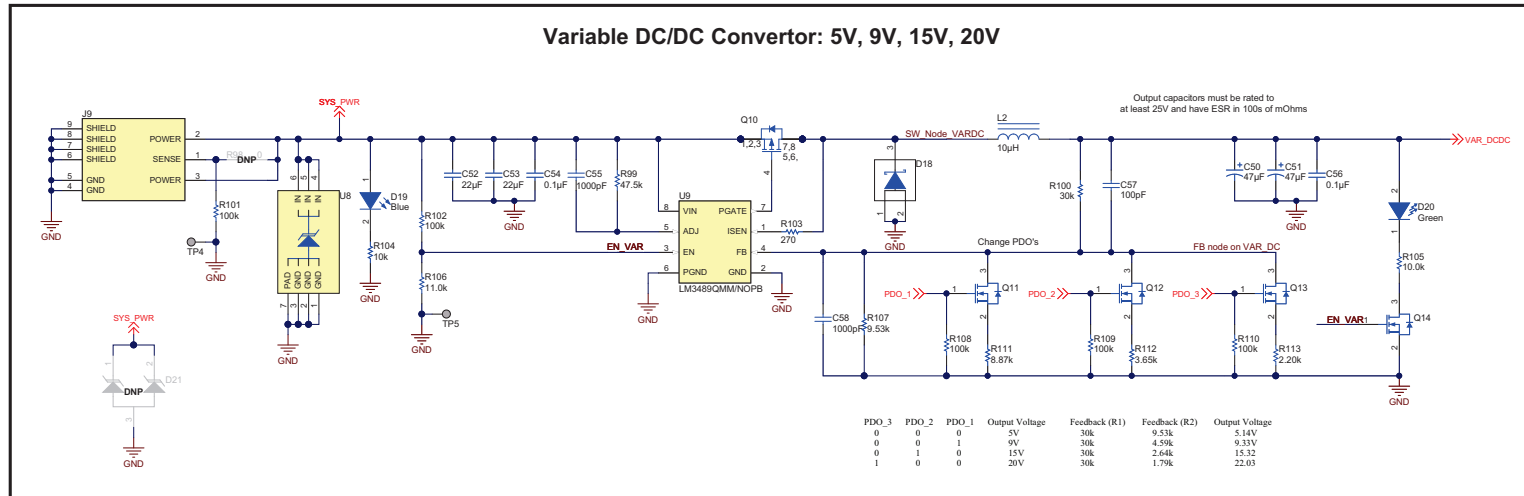


Figure 8. Variable DC/DC Controller

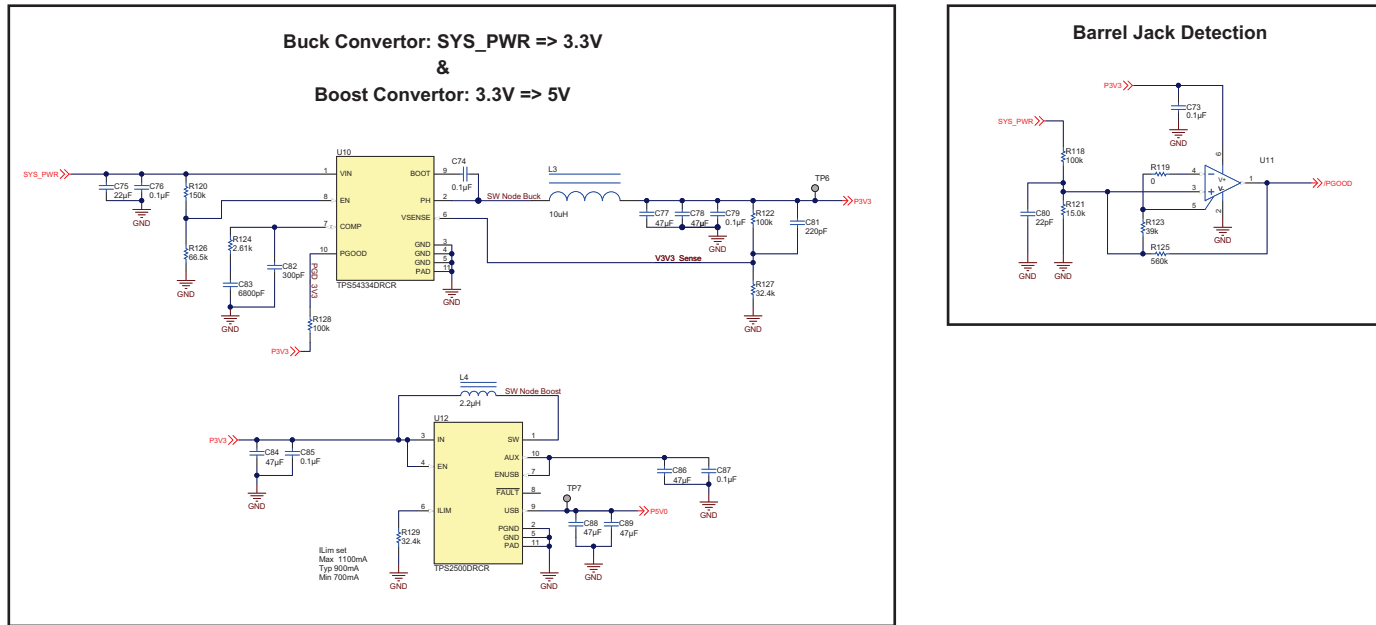


Figure 9. Buck and Boost DC/DC Converters

## 5 Bill of Materials

Table 8 lists the TPS65987-90EVM BOM.

**Table 8. TPS65987-90EVM Bill of Materials**

Designator	Quantity	Value	Description	PackageReference	PartNumber	Manufacturer	Alternate PartNumber	Alternate Manufacturer
!PCB1	1		Printed Circuit Board		PSIL034	Any	-	-
C1	1	4.7uF	CAP, CERM, 4.7 $\mu$ F, 35 V, +/- 10%, X5R, 0603	0603	GRM188R6YA475KE15D	MuRata		
C2, C3, C4, C5, C28	5	0.01uF	CAP, CERM, 0.01 $\mu$ F, 50 V, +/- 10%, X7R, 0402	0402	GRM155R71H103KA88D	MuRata		
C6, C7, C8, C9	4	0	RES, 0, 5%, 0.05 W, 0201	0201	ERJ-1GE0R00C	Panasonic		
C10, C12, C14, C15, C16, C17, C18, C19, C20, C21	10	0.1uF	CAP, CERM, 0.1 $\mu$ F, 50 V, +/- 10%, X7R, 0402	0402	C1005X7R1H104K050BB	TDK		
C11, C13, C22	3	4.7uF	CAP, CERM, 4.7 $\mu$ F, 10 V, +/- 20%, X5R, 0402	0402	C1005X5R1A475M050BC	TDK		
C23, C24	2	27pF	CAP, CERM, 27 pF, 50 V, +/- 1%, C0G/NPO, 0603	0603	CL10C270FB8NNNC	Samsung Electro-Mechanics		
C25	1	0.01uF	CAP, CERM, 0.01 $\mu$ F, 50 V, +/- 5%, X7R, 0402	0402	C0402C103J5RACTU	Kemet		
C26, C27	2	220pF	CAP, CERM, 220 pF, 25 V, +/- 10%, X7R, 0201	0201	GRM033R71E221KA01D	MuRata		
C29	1	0.1uF	CAP, CERM, 0.1 $\mu$ F, 16 V, +/- 10%, X7R, 0402	0402	885012205037	Wurth Elektronik		
C30, C31, C52, C53, C59, C60, C61, C62, C63, C64, C65, C66, C67, C68, C69, C70, C71, C72, C75	19	22uF	CAP, CERM, 22 $\mu$ F, 35 V, +/- 20%, X5R, 0805	0805	C2012X5R1V226M125AC	TDK		
C32	1	0.1uF	CAP, CERM, 0.1 $\mu$ F, 35 V, +/- 10%, X5R, 0402	0402	GMK105BJ104KV-F	Taiyo Yuden		
C33	1	0.1uF	CAP, CERM, 0.1 $\mu$ F, 25 V, +/- 10%, X7R, 0402	0402	GRM155R71E104KE14D	MuRata		
C35	1	0.1uF	CAP, CERM, 0.1 $\mu$ F, 25 V, +/- 10%, X5R, 0402	0402	GRM155R61E104KA87D	MuRata		
C36, C49	2	1uF	CAP, CERM, 1 $\mu$ F, 50 V, +/- 10%, X7R, 0603	0603	UMK107AB7105KA-T	Taiyo Yuden		
C37, C38, C42	3	10uF	CAP, CERM, 10 $\mu$ F, 10 V, +/- 20%, X5R, 0402	0402	CL05A106MP5NUNC	Samsung Electro-Mechanics		
C39, C47	2	22uF	CAP, CERM, 22 $\mu$ F, 10 V, +/- 20%, X5R, 0603	0603	C1608X5R1A226M080AC	TDK		

**Table 8. TPS65987-90EVM Bill of Materials (continued)**

Designator	Quantity	Value	Description	PackageReference	PartNumber	Manufacturer	Alternate PartNumber	Alternate Manufacturer
C40, C41	2	10uF	CAP, CERM, 10 $\mu$ F, 25 V, +/- 20%, X5R, 0603	0603	GRM188R61E106MA73D	MuRata		
C43	1	1uF	CAP, CERM, 1 $\mu$ F, 10 V, +/- 20%, X5R, 0402	0402	GRM155R61A105ME15D	MuRata		
C44	1	10uF	CAP, CERM, 10 $\mu$ F, 10 V, +/- 20%, X5R, 0402	0402	GRM155R61A106ME11	MuRata		
C45	1	4.7uF	CAP, CERM, 4.7 $\mu$ F, 10 V, +/- 20%, X5R, 0402	0402	GRM155R61A475M	MuRata		
C46	1	10uF	CAP, CERM, 10 $\mu$ F, 35 V, +/- 20%, X5R, 0603	0603	GRM188R6YA106MA73	Nichicon	GRM188R61E106MA73	Murata
C48	1	0.1uF	CAP, CERM, 0.1 $\mu$ F, 50 V, +/- 10%, X7R, 0402	0402	C1005X7R1H104K050BB	TDK		
C50, C51	2	47uF	CAP, TA, 47 $\mu$ F, 35 V, +/- 20%, 0.9 ohm, AEC-Q200 Grade 1, SMD	7343-43	TAJE476M035RNJ	AVX		
C54	1	0.1uF	CAP, CERM, 0.1 $\mu$ F, 50 V, +/- 10%, X7R, 0402	0402	C1005X7R1H104K050BB	TDK		
C55, C58	2	1000pF	CAP, CERM, 1000 pF, 50 V, +/- 20%, X7R, 0402	0402	C1005X7R1H102M050BE	TDK		
C56, C73	2	0.1uF	CAP, CERM, 0.1 $\mu$ F, 35 V, +/- 10%, X5R, 0402	0402	GMK105BJ104KV-F	Taiyo Yuden		
C57	1	100pF	CAP, CERM, 100 pF, 50 V, +/- 10%, X7R, 0402	0402	CC0402KRX7R9BB101	Yageo America		
C74, C76, C85, C87	4	0.1uF	CAP, CERM, 0.1uF, 50V, +/-20%, C0G/NP0, 0402	0402	C1005X7R1H104M	TDK		
C77, C78	2	47uF	CAP, CERM, 47 $\mu$ F, 6.3 V, +/- 20%, X5R, 0805	0805	GRM21BR60J476ME15L	MuRata		
C79	1	0.1uF	CAP, CERM, 0.1 $\mu$ F, 25 V, +/- 10%, X7R, 0402	0402	GRM155R71E104KE14D	MuRata		
C80	1	22pF	CAP, CERM, 22 pF, 50 V, +/- 5%, C0G/NP0, 0402	0402	C1005C0G1H220J050BA	TDK		
C81	1	220pF	CAP, CERM, 220 pF, 50 V, +/- 10%, X7R, AEC-Q200 Grade 1, 0201	0201	CGA1A2X7R1H221K030BA	TDK		
C82	1	300pF	CAP, CERM, 300 pF, 25 V, +/- 5%, C0G/NP0, 0402	0402	GRM1555C1E301JA01D	MuRata		
C83	1	6800pF	CAP, CERM, 6800 pF, 50 V, +/- 10%, X7R, 0402	0402	GRM155R71H682KA88D	MuRata		
C84, C86, C88, C89	4	47uF	CAP, CERM, 47 $\mu$ F, 6.3 V, +/- 20%, X5R, 0603	0603	GRM188R60J476ME15D	MuRata		
D1	1	30V	Diode, Schottky, 30 V, 2 A, 2-XFDFN	2-XFDFN	NSR20F30NXT5G	ON Semiconductor		

**Table 8. TPS65987-90EVM Bill of Materials (continued)**

Designator	Quantity	Value	Description	PackageReference	PartNumber	Manufacturer	Alternate PartNumber	Alternate Manufacturer
D2, D3, D4, D5, D6, D7, D8, D9, D10, D11	10		1-Channel ESD Protection Diode for USB Type-C and Thunderbolt 3, DPL0002A (X2SON-2)	DPL0002A	TPD1E01B04DPLR	Texas Instruments	TPD1E01B04DPLT	Texas Instruments
D12, D13, D14, D15, D16, D22, D23, D24, D25	9	White	LED, White, SMD	0402, White	LW QH8G-Q2S2-3K5L-1	OSRAM		
D17	1	Red	LED, Red, SMD	0402	APHHS1005SURCK	Kingbright		
D18	1	40V	Diode, Schottky, 40 V, 10 A, PowerDI5	PowerDI5	PDS1040L-13	Diodes Inc.		
D19	1	Blue	LED, Blue, SMD	1.6x0.8mm	LTST-C193TBKT-5A	Lite-On		
D20	1	Green	LED, Green, SMD	LED_0603	150060GS75000	Würth Elektronik		
H1, H2, H3, H4	4		Machine Screw, Round, #4-40 x 1/4, Nylon, Philips panhead	Screw	NY PMS 440 0025 PH	B&F Fastener Supply		
H5, H6, H7, H8	4		Standoff, Hex, 0.5"L #4-40 Nylon	Standoff	1902C	Keystone		
J1	1		Connector, Receptacle, USB Type C, R/A, SMT	Connector, Receptacle, USB Type C, SMT	20-0000016-01	Lintes Technology		
J2	1		Socket, 0.8mm, 20x2, Gold, SMT	Socket, 0.8mm, 20x2, Gold, SMT	LSEM-120-03.0-F-DV-A-N-K-TR	Samtec		
J3	1		Connector, Receptacle, Micro-USB Type AB, R/A, Bottom Mount SMT	Connector, Receptacle, Micro-USB Type AB, R/A, Bottom Mount SMT	ZX62RD-AB-5P8(30)	Hirose Electric Co. Ltd.		
J4, J5, J6, J7	4		Header, 100mil, 3x1, Gold, TH	3x1 Header	TSW-103-07-G-S	Samtec		
J8	1		Header, 50mil, 3x1, Gold, TH	Header, 3x1, 50mil, TH	GRPB031VWVN-RC	Sullins Connector Solutions		
J9	1		Connector, DC Power Jack, R/A, 3 Pos, TH	Power connector	JPD1135-509-7F	Foxconn		
L1	1	26 ohm	Ferrite Bead, 26 ohm @ 100 MHz, 6 A, 0603	0603	BLM18SG260TN1D	MuRata		
L2	1	10uH	Inductor, Shielded, Powdered Iron, 10 µH, 7.5 A, 0.03 ohm, AEC-Q200 Grade 1, SMD	11x10mm	SRP1038A-100M	Bourns	PA4342.103NLT	Pulse Electronics Power
L3	1	10uH		7.2 mm x 6.65 mm	ASPI-0630LR-100M-T15	ABRACON	-	-
L4	1	2.2uH	Inductor, Flat Wire, Powdered Iron, 2.2 µH, 4 A, 0.033 ohm, SMD	Inductor, 4.8x2x4mm	SRP4020-2R2M	Bourns		
Q1, Q2, Q3	3	30V	MOSFET, N-CH, 30 V, 0.1 A, SOT-416	SOT-416	2SK3019TL	Rohm		None
Q4	1	-30V	MOSFET, 2-CH, P-CH, -30 V, -60 A, 610x604x515mm	610x604x515mm	SI7997DP-T1-GE3	Vishay-Siliconix		None



**Table 8. TPS65987-90EVM Bill of Materials (continued)**

Designator	Quantity	Value	Description	PackageReference	PartNumber	Manufacturer	Alternate PartNumber	Alternate Manufacturer
Q5	1	30V	MOSFET, N-CH, 30 V, 0.35 A, AEC-Q101, SOT-323	SOT-323	NX3008NBKW,115	NXP Semiconductor		None
Q6	1	20V	MOSFET, N-CH, 20 V, 0.5 A, YJM0003A (PICOSTAR-3)	YJM0003A	CSD15380F3	Texas Instruments		None
Q7, Q8	2	30V	MOSFET, N-CH, 30 V, 60 A, DNH0008A (VSONP-8)	DNH0008A	CSD17581Q3A	Texas Instruments		None
Q9	1	-20V	MOSFET, P-CH, -20 V, -0.76 A, SOT-416	SOT-416	NTA4151PT1G	ON Semiconductor		None
Q10	1	-30V	MOSFET, P-CH, -30 V, -11 A, FET, 3x0.8x3mm	FET, 3x0.8x3mm	AON7403	AOS		None
Q11, Q12, Q13	3	20V	MOSFET, N-CH, 20 V, 1.05 A, SOT-23	SOT-23	BSH105,215	NXP Semiconductor		None
Q14, Q15, Q16, Q17, Q18	5	30V	MOSFET, N-CH, 30 V, 0.18 A, SOT-323	SOT-323	NX3020NAKW,115	NXP Semiconductor		None
R1	1	3.48	RES, 3.48, 1%, 0.063 W, 0402	0402	CRCW04023R48FKED	Vishay-Dale		
R2, R3, R4, R5	4	0	RES, 0, 5%, 0.05 W, 0201	0201	CRCW02010000Z0ED	Vishay-Dale		
R6, R8, R10	3	0	RES, 0, 5%, 0.063 W, 0402	0402	ERJ-2GE0R00X	Panasonic		
R12, R13, R14, R22, R23, R30, R32, R33, R34, R41, R44, R55, R57, R60, R63, R64, R66, R89, R105, R114, R115, R116, R117	23	10.0k	RES, 10.0 k, 1%, 0.1 W, 0402	0402	ERJ-2RKF1002X	Panasonic		
R15	1	2.20k	RES, 2.20 k, 1%, 0.063 W, 0402	0402	RC0402FR-072K2L	Yageo America		
R16	1	12k	RES, 12 k, 5%, 0.063 W, 0402	0402	CRCW040212K0JNED	Vishay-Dale		
R17, R70, R72, R73, R84, R85, R119	7	0	RES, 0, 5%, 0.063 W, 0402	0402	CRCW04020000Z0ED	Vishay-Dale		
R20	1	4.70k	RES, 4.70 k, 1%, 0.1 W, 0402	0402	ERJ-2RKF4701X	Panasonic		
R21, R61	2	1.00k	RES, 1.00 k, 1%, 0.1 W, 0402	0402	ERJ-2RKF1001X	Panasonic		
R24, R27	2	10.0k	RES, 10.0 k, 1%, 0.1 W, 0603	0603	RC0603FR-0710KL	Yageo America		
R28, R29, R36, R87, R88	5	3.83k	RES, 3.83 k, 1%, 0.063 W, 0402	0402	CRCW04023K83FKED	Vishay-Dale		
R31	1	10.0k	RES, 10.0 k, 0.5%, 0.063 W, AEC-Q200 Grade 0, 0402	0402	CRCW040210K0DHEDP	Vishay-Dale		
R35	1	3.83k	RES, 3.83 k, 1%, 0.063 W, AEC-Q200 Grade 0, 0402	0402	CRCW04023K83FKED	Vishay-Dale		
R37, R49, R74, R78, R81, R82, R93, R96, R131	9	0	RES, 0, 5%, 0.063 W, 0402	0402	RC0402JR-070RL	Yageo America		

**Table 8. TPS65987-90EVM Bill of Materials (continued)**

Designator	Quantity	Value	Description	PackageReference	PartNumber	Manufacturer	Alternate PartNumber	Alternate Manufacturer
R38, R40, R50, R51, R101, R102, R108, R109, R110, R118, R122, R128	12	100k	RES, 100 k, 1%, 0.063 W, 0402	0402	CRCW0402100KFKED	Vishay-Dale		
R39	1	191k	RES, 191 k, 1%, 0.063 W, 0402	0402	CRCW0402191KFKED	Vishay-Dale		
R42	1	316k	RES, 316 k, 1%, 0.063 W, 0402	0402	CRCW0402316KFKED	Vishay-Dale		
R43	1	130k	RES, 130 k, 1%, 0.063 W, 0402	0402	CRCW0402130KFKED	Vishay-Dale		
R45, R46, R47, R48	4	3.3k	RES, 3.3 k, 5%, 0.063 W, 0402	0402	CRCW04023K30JNED	Vishay-Dale		
R53	1	0	RES, 0, 5%, 0.125 W, 0805	0805	ERJ-6GEY0R00V	Panasonic		
R58, R59	2	60.4k	RES, 60.4 k, 1%, 0.063 W, 0402	0402	CRCW040260K4FKED	Vishay-Dale		
R65	1	576k	RES, 576 k, 1%, 0.063 W, 0402	0402	CRCW0402576KFKED	Vishay-Dale		
R69	1	0.01	RES, 0.01, 1%, 0.5 W, 1206	1206	CSR1206FK10L0	Stackpole Electronics Inc		
R83	1	10.0k	RES, 10.0 k, 1%, 0.063 W, 0402	0402	RC0402FR-0710KL	Yageo America		
R99	1	47.5k	RES, 47.5 k, 1%, 0.063 W, 0402	0402	CRCW040247K5FKED	Vishay-Dale		
R100	1	30k	RES, 30 k, 5%, 0.063 W, 0402	0402	CRCW040230K0JNED	Vishay-Dale		
R103	1	270	RES, 270, 5%, 0.063 W, 0402	0402	CRCW0402270RJNED	Vishay-Dale		
R104	1	10k	RES, 10 k, 5%, 0.1 W, 0603	0603	RC0603JR-0710KL	Yageo America		
R106	1	11.0k	RES, 11.0 k, 1%, 0.063 W, 0402	0402	CRCW040211K0FKED	Vishay-Dale		
R107	1	9.53k	RES, 9.53 k, 1%, 0.063 W, 0402	0402	CRCW04029K53FKED	Vishay-Dale		
R111	1	8.87k	RES, 8.87 k, 1%, 0.063 W, 0402	0402	CRCW04028K87FKED	Vishay-Dale		
R112	1	3.65k	RES, 3.65 k, 1%, 0.063 W, 0402	0402	CRCW04023K65FKED	Vishay-Dale		
R113	1	2.20k	RES, 2.20 k, 1%, 0.063 W, 0402	0402	CRCW04022K20FKED	Vishay-Dale		
R120	1	150k	RES, 150 k, 1%, 0.063 W, 0402	0402	CRCW0402150KFKED	Vishay-Dale		
R121	1	15.0k	RES, 15.0 k, 1%, 0.063 W, 0402	0402	CRCW040215K0FKED	Vishay-Dale		
R123	1	39k	RES, 39 k, 5%, 0.063 W, 0402	0402	CRCW040239K0JNED	Vishay-Dale		
R124	1	2.61k	RES, 2.61 k, 1%, 0.063 W, 0402	0402	CRCW04022K61FKED	Vishay-Dale		
R125	1	560k	RES, 560 k, 5%, 0.063 W, 0402	0402	CRCW0402560KJNED	Vishay-Dale		
R126	1	66.5k	RES, 66.5 k, 1%, 0.063 W, 0402	0402	CRCW040266K5FKED	Vishay-Dale		
R127, R129	2	32.4k	RES, 32.4 k, 1%, 0.063 W, 0402	0402	CRCW040232K4FKED	Vishay-Dale		
S1, S4	2		DIP Switch, SPST, 6Pos, Slide, SMT	8.75x6.2mm	TDA06H0SB1	C&K Components		
S2, S3	2		SWITCH TACTILE SPST-NO 0.05A 12V	3x1.6x2.5mm	B3U-1000P	Omron Electronic Components		
SH-J1, SH-J2	2	1x2	Shunt, 100mil, Gold plated, Black	Shunt	SNT-100-BK-G	Samtec	969102-0000-DA	3M

Table 8. TPS65987-90EVM Bill of Materials (continued)

Designator	Quantity	Value	Description	PackageReference	PartNumber	Manufacturer	Alternate PartNumber	Alternate Manufacturer
TP1, TP2, TP3, TP4, TP5, TP6, TP7	7		Test Point, Miniature, SMT	Test Point, Miniature, SMT	5019	Keystone		
U1	1		Quad High Speed USB to Multipurpose UART/MPSSSE IC	LQFP_10x10mm	FT4232HL	FTDI		
U2	1		2K Microwire Compatible Serial EEPROM, SOT-23-6	SOT-23-6	93LC56B-I/OT	Microchip	93LC56BT-I/OT	
U3	1		ESD Protection Array for High-Speed Data Interfaces, 2 Channels, -40 to +85 degC, 3-pin SOT (DRT), Green (RoHS & no Sb/Br)	DRT0003A	TPD2E009DRTR	Texas Instruments	Equivalent	None
U4	1		USB Type-C and USB PD Controller with Integrated Power Switches, RSH0056E (VQFN-56)	RSH0056E	TPS65987DDHRSHR	Texas Instruments	TPS65987DDHRSHR	Texas Instruments
U5	1		8Mb, 86MHz, NOR Flash, SOP-8	8-SOP	MX25L8006EM11-12G	Macronix International Co., LTD		
U6	1		2.2-V to 36-V, microPower Comparator, DBV0005A	DBV0005A	TLV1701AIDBVR	Texas Instruments	TLV1701AIDBVT	Texas Instruments
U8	1		22-V Precision Surge Protection Clamp, DRV0006A (WSON-6)	DRV0006A	TVS2200DRVR	Texas Instruments		Texas Instruments
U9	1		Hysteretic PFET Buck Controller with Enable Pin, 8-pin MSOP, Pb-Free	MUA08A	LM3489QMM/NOPB	Texas Instruments		
U10	1		4.2V TO 28V INPUT, 3A OUTPUT, SYNCHRONOUS SWIFT™ STEP DOWN VOLTAGE CONVERTER, DRC0010J	DRC0010J	TPS54334DRCR	Texas Instruments	TPS54334DRCT	Texas Instruments
U11	1		Nanopower, 1.8V, Comparator with Voltage Reference, DCK0006A	DCK0006A	TLV3012AIDCKR	Texas Instruments	TLV3012AIDCKT	Texas Instruments
U12	1		Integrated USB Power Switch with Boost Converter, DRC0010J	DRC0010J	TPS2500DRCR	Texas Instruments	TPS2500DRCT	Texas Instruments
Y1	1		CRYSTAL, 12MHz, 20pF, SMD	7x2.3x4.1mm	ECS-120-20-3X-TR	ECS Inc.		
C34	0	0.1uF	CAP, CERM, 0.1 µF, 25 V,+/- 10%, X7R, 0402	0402	GRM155R71E104KE14D	MuRata		
D21	0	24V	Diode, TVS, Uni, 24 V, 70 Vc, SOT-23	SOT-23	PESD24VS2UT,215	Nexperia		
FID1, FID2, FID3, FID4, FID5, FID6	0		Fiducial mark. There is nothing to buy or mount.	Fiducial	N/A	N/A		
R7, R9, R11	0	0	RES, 0, 5%, 0.063 W, 0402	0402	ERJ-2GE0R00X	Panasonic		
R18, R19, R71, R79, R80, R86	0	0	RES, 0, 5%, 0.063 W, 0402	0402	CRCW04020000Z0ED	Vishay-Dale		
R25, R26	0	0	RES, 0, 5%, 0.1 W, 0603	0603	CRCW06030000Z0EA	Vishay-Dale		

**Table 8. TPS65987-90EVM Bill of Materials (continued)**

Designator	Quantity	Value	Description	PackageReference	PartNumber	Manufacturer	Alternate PartNumber	Alternate Manufacturer
R52, R98	0	0	RES, 0, 5%, 0.125 W, 0805	0805	ERJ-6GEY0R00V	Panasonic		
R54, R56	0	10.0k	RES, 10.0 k, 1%, 0.1 W, 0402	0402	ERJ-2RKF1002X	Panasonic		
R62	0	100k	RES, 100 k, 1%, 0.063 W, 0402	0402	CRCW0402100KFKED	Vishay-Dale		
R67, R68, R75, R76, R77, R92, R95, R130	0	0	RES, 0, 5%, 0.063 W, 0402	0402	RC0402JR-070RL	Yageo America		
R90, R91, R94, R97	0	0	RES, 0, 5%, 0.05 W, 0201	0201	CRCW02010000Z0ED	Vishay-Dale		
SH-J3, SH-J4	0	1x2	Shunt, 100mil, Gold plated, Black	Shunt	SNT-100-BK-G	Samtec	969102-0000-DA	3M

## STANDARD TERMS FOR EVALUATION MODULES

1. *Delivery:* TI delivers TI evaluation boards, kits, or modules, including any accompanying demonstration software, components, and/or documentation which may be provided together or separately (collectively, an "EVM" or "EVMs") to the User ("User") in accordance with the terms set forth herein. User's acceptance of the EVM is expressly subject to the following terms.
  - 1.1 EVMs are intended solely for product or software developers for use in a research and development setting to facilitate feasibility evaluation, experimentation, or scientific analysis of TI semiconductor products. EVMs have no direct function and are not finished products. EVMs shall not be directly or indirectly assembled as a part or subassembly in any finished product. For clarification, any software or software tools provided with the EVM ("Software") shall not be subject to the terms and conditions set forth herein but rather shall be subject to the applicable terms that accompany such Software
  - 1.2 EVMs are not intended for consumer or household use. EVMs may not be sold, sublicensed, leased, rented, loaned, assigned, or otherwise distributed for commercial purposes by Users, in whole or in part, or used in any finished product or production system.
2. *Limited Warranty and Related Remedies/Disclaimers:*
  - 2.1 These terms do not apply to Software. The warranty, if any, for Software is covered in the applicable Software License Agreement.
  - 2.2 TI warrants that the TI EVM will conform to TI's published specifications for ninety (90) days after the date TI delivers such EVM to User. Notwithstanding the foregoing, TI shall not be liable for a nonconforming EVM if (a) the nonconformity was caused by neglect, misuse or mistreatment by an entity other than TI, including improper installation or testing, or for any EVMs that have been altered or modified in any way by an entity other than TI, (b) the nonconformity resulted from User's design, specifications or instructions for such EVMs or improper system design, or (c) User has not paid on time. Testing and other quality control techniques are used to the extent TI deems necessary. TI does not test all parameters of each EVM. User's claims against TI under this Section 2 are void if User fails to notify TI of any apparent defects in the EVMs within ten (10) business days after delivery, or of any hidden defects with ten (10) business days after the defect has been detected.
  - 2.3 TI's sole liability shall be at its option to repair or replace EVMs that fail to conform to the warranty set forth above, or credit User's account for such EVM. TI's liability under this warranty shall be limited to EVMs that are returned during the warranty period to the address designated by TI and that are determined by TI not to conform to such warranty. If TI elects to repair or replace such EVM, TI shall have a reasonable time to repair such EVM or provide replacements. Repaired EVMs shall be warranted for the remainder of the original warranty period. Replaced EVMs shall be warranted for a new full ninety (90) day warranty period.
3. *Regulatory Notices:*
  - 3.1 *United States*
    - 3.1.1 *Notice applicable to EVMs not FCC-Approved:*

**FCC NOTICE:** This kit is designed to allow product developers to evaluate electronic components, circuitry, or software associated with the kit to determine whether to incorporate such items in a finished product and software developers to write software applications for use with the end product. This kit is not a finished product and when assembled may not be resold or otherwise marketed unless all required FCC equipment authorizations are first obtained. Operation is subject to the condition that this product not cause harmful interference to licensed radio stations and that this product accept harmful interference. Unless the assembled kit is designed to operate under part 15, part 18 or part 95 of this chapter, the operator of the kit must operate under the authority of an FCC license holder or must secure an experimental authorization under part 5 of this chapter.
    - 3.1.2 *For EVMs annotated as FCC – FEDERAL COMMUNICATIONS COMMISSION Part 15 Compliant:*

### CAUTION

This device complies with part 15 of the FCC Rules. Operation is subject to the following two conditions: (1) This device may not cause harmful interference, and (2) this device must accept any interference received, including interference that may cause undesired operation.

Changes or modifications not expressly approved by the party responsible for compliance could void the user's authority to operate the equipment.

### FCC Interference Statement for Class A EVM devices

*NOTE: This equipment has been tested and found to comply with the limits for a Class A digital device, pursuant to part 15 of the FCC Rules. These limits are designed to provide reasonable protection against harmful interference when the equipment is operated in a commercial environment. This equipment generates, uses, and can radiate radio frequency energy and, if not installed and used in accordance with the instruction manual, may cause harmful interference to radio communications. Operation of this equipment in a residential area is likely to cause harmful interference in which case the user will be required to correct the interference at his own expense.*

## FCC Interference Statement for Class B EVM devices

*NOTE: This equipment has been tested and found to comply with the limits for a Class B digital device, pursuant to part 15 of the FCC Rules. These limits are designed to provide reasonable protection against harmful interference in a residential installation. This equipment generates, uses and can radiate radio frequency energy and, if not installed and used in accordance with the instructions, may cause harmful interference to radio communications. However, there is no guarantee that interference will not occur in a particular installation. If this equipment does cause harmful interference to radio or television reception, which can be determined by turning the equipment off and on, the user is encouraged to try to correct the interference by one or more of the following measures:*

- Reorient or relocate the receiving antenna.
- Increase the separation between the equipment and receiver.
- Connect the equipment into an outlet on a circuit different from that to which the receiver is connected.
- Consult the dealer or an experienced radio/TV technician for help.

### 3.2 Canada

3.2.1 For EVMs issued with an Industry Canada Certificate of Conformance to RSS-210 or RSS-247

#### Concerning EVMs Including Radio Transmitters:

This device complies with Industry Canada license-exempt RSSs. Operation is subject to the following two conditions:

(1) this device may not cause interference, and (2) this device must accept any interference, including interference that may cause undesired operation of the device.

#### Concernant les EVMs avec appareils radio:

Le présent appareil est conforme aux CNR d'Industrie Canada applicables aux appareils radio exempts de licence. L'exploitation est autorisée aux deux conditions suivantes: (1) l'appareil ne doit pas produire de brouillage, et (2) l'utilisateur de l'appareil doit accepter tout brouillage radioélectrique subi, même si le brouillage est susceptible d'en compromettre le fonctionnement.

#### Concerning EVMs Including Detachable Antennas:

Under Industry Canada regulations, this radio transmitter may only operate using an antenna of a type and maximum (or lesser) gain approved for the transmitter by Industry Canada. To reduce potential radio interference to other users, the antenna type and its gain should be so chosen that the equivalent isotropically radiated power (e.i.r.p.) is not more than that necessary for successful communication. This radio transmitter has been approved by Industry Canada to operate with the antenna types listed in the user guide with the maximum permissible gain and required antenna impedance for each antenna type indicated. Antenna types not included in this list, having a gain greater than the maximum gain indicated for that type, are strictly prohibited for use with this device.

#### Concernant les EVMs avec antennes détachables

Conformément à la réglementation d'Industrie Canada, le présent émetteur radio peut fonctionner avec une antenne d'un type et d'un gain maximal (ou inférieur) approuvé pour l'émetteur par Industrie Canada. Dans le but de réduire les risques de brouillage radioélectrique à l'intention des autres utilisateurs, il faut choisir le type d'antenne et son gain de sorte que la puissance isotrope rayonnée équivalente (p.i.r.e.) ne dépasse pas l'intensité nécessaire à l'établissement d'une communication satisfaisante. Le présent émetteur radio a été approuvé par Industrie Canada pour fonctionner avec les types d'antenne énumérés dans le manuel d'usage et ayant un gain admissible maximal et l'impédance requise pour chaque type d'antenne. Les types d'antenne non inclus dans cette liste, ou dont le gain est supérieur au gain maximal indiqué, sont strictement interdits pour l'exploitation de l'émetteur.

### 3.3 Japan

3.3.1 *Notice for EVMs delivered in Japan:* Please see [http://www.tij.co.jp/lstds/ti\\_ja/general/eStore/notice\\_01.page](http://www.tij.co.jp/lstds/ti_ja/general/eStore/notice_01.page) 日本国内に輸入される評価用キット、ボードについては、次のところをご覧ください。  
[http://www.tij.co.jp/lstds/ti\\_ja/general/eStore/notice\\_01.page](http://www.tij.co.jp/lstds/ti_ja/general/eStore/notice_01.page)

3.3.2 *Notice for Users of EVMs Considered "Radio Frequency Products" in Japan:* EVMs entering Japan may not be certified by TI as conforming to Technical Regulations of Radio Law of Japan.

If User uses EVMs in Japan, not certified to Technical Regulations of Radio Law of Japan, User is required to follow the instructions set forth by Radio Law of Japan, which includes, but is not limited to, the instructions below with respect to EVMs (which for the avoidance of doubt are stated strictly for convenience and should be verified by User):

1. Use EVMs in a shielded room or any other test facility as defined in the notification #173 issued by Ministry of Internal Affairs and Communications on March 28, 2006, based on Sub-section 1.1 of Article 6 of the Ministry's Rule for Enforcement of Radio Law of Japan,
2. Use EVMs only after User obtains the license of Test Radio Station as provided in Radio Law of Japan with respect to EVMs, or
3. Use of EVMs only after User obtains the Technical Regulations Conformity Certification as provided in Radio Law of Japan with respect to EVMs. Also, do not transfer EVMs, unless User gives the same notice above to the transferee. Please note that if User does not follow the instructions above, User will be subject to penalties of Radio Law of Japan.

【無線電波を送信する製品の開発キットをお使いになる際の注意事項】 開発キットの中には技術基準適合証明を受けていないものがあります。技術適合証明を受けていないものご使用に際しては、電波法遵守のため、以下のいずれかの措置を取っていただく必要がありますのでご注意ください。

1. 電波法施行規則第6条第1項第1号に基づく平成18年3月28日総務省告示第173号で定められた電波暗室等の試験設備でご使用いただく。
2. 実験局の免許を取得後ご使用いただく。
3. 技術基準適合証明を取得後ご使用いただく。

なお、本製品は、上記の「ご使用にあたっての注意」を譲渡先、移転先に通知しない限り、譲渡、移転できないものとします。

上記を遵守頂けない場合は、電波法の罰則が適用される可能性があることをご留意ください。日本テキサス・インスツルメンツ株式会社  
東京都新宿区西新宿 6 丁目 2 4 番 1 号  
西新宿三井ビル

3.3.3 *Notice for EVMs for Power Line Communication:* Please see [http://www.tij.co.jp/lstds/ti\\_ja/general/eStore/notice\\_02.page](http://www.tij.co.jp/lstds/ti_ja/general/eStore/notice_02.page)  
電力線搬送波通信についての開発キットをお使いになる際の注意事項については、次のところをご覧ください。 [http://www.tij.co.jp/lstds/ti\\_ja/general/eStore/notice\\_02.page](http://www.tij.co.jp/lstds/ti_ja/general/eStore/notice_02.page)

#### 3.4 *European Union*

##### 3.4.1 *For EVMs subject to EU Directive 2014/30/EU (Electromagnetic Compatibility Directive):*

This is a class A product intended for use in environments other than domestic environments that are connected to a low-voltage power-supply network that supplies buildings used for domestic purposes. In a domestic environment this product may cause radio interference in which case the user may be required to take adequate measures.

#### 4 *EVM Use Restrictions and Warnings:*

4.1 EVMS ARE NOT FOR USE IN FUNCTIONAL SAFETY AND/OR SAFETY CRITICAL EVALUATIONS, INCLUDING BUT NOT LIMITED TO EVALUATIONS OF LIFE SUPPORT APPLICATIONS.

4.2 User must read and apply the user guide and other available documentation provided by TI regarding the EVM prior to handling or using the EVM, including without limitation any warning or restriction notices. The notices contain important safety information related to, for example, temperatures and voltages.

##### 4.3 *Safety-Related Warnings and Restrictions:*

4.3.1 User shall operate the EVM within TI's recommended specifications and environmental considerations stated in the user guide, other available documentation provided by TI, and any other applicable requirements and employ reasonable and customary safeguards. Exceeding the specified performance ratings and specifications (including but not limited to input and output voltage, current, power, and environmental ranges) for the EVM may cause personal injury or death, or property damage. If there are questions concerning performance ratings and specifications, User should contact a TI field representative prior to connecting interface electronics including input power and intended loads. Any loads applied outside of the specified output range may also result in unintended and/or inaccurate operation and/or possible permanent damage to the EVM and/or interface electronics. Please consult the EVM user guide prior to connecting any load to the EVM output. If there is uncertainty as to the load specification, please contact a TI field representative. During normal operation, even with the inputs and outputs kept within the specified allowable ranges, some circuit components may have elevated case temperatures. These components include but are not limited to linear regulators, switching transistors, pass transistors, current sense resistors, and heat sinks, which can be identified using the information in the associated documentation. When working with the EVM, please be aware that the EVM may become very warm.

4.3.2 EVMs are intended solely for use by technically qualified, professional electronics experts who are familiar with the dangers and application risks associated with handling electrical mechanical components, systems, and subsystems. User assumes all responsibility and liability for proper and safe handling and use of the EVM by User or its employees, affiliates, contractors or designees. User assumes all responsibility and liability to ensure that any interfaces (electronic and/or mechanical) between the EVM and any human body are designed with suitable isolation and means to safely limit accessible leakage currents to minimize the risk of electrical shock hazard. User assumes all responsibility and liability for any improper or unsafe handling or use of the EVM by User or its employees, affiliates, contractors or designees.

4.4 User assumes all responsibility and liability to determine whether the EVM is subject to any applicable international, federal, state, or local laws and regulations related to User's handling and use of the EVM and, if applicable, User assumes all responsibility and liability for compliance in all respects with such laws and regulations. User assumes all responsibility and liability for proper disposal and recycling of the EVM consistent with all applicable international, federal, state, and local requirements.

5. *Accuracy of Information:* To the extent TI provides information on the availability and function of EVMs, TI attempts to be as accurate as possible. However, TI does not warrant the accuracy of EVM descriptions, EVM availability or other information on its websites as accurate, complete, reliable, current, or error-free.

6. *Disclaimers:*
- 6.1 EXCEPT AS SET FORTH ABOVE, EVMS AND ANY MATERIALS PROVIDED WITH THE EVM (INCLUDING, BUT NOT LIMITED TO, REFERENCE DESIGNS AND THE DESIGN OF THE EVM ITSELF) ARE PROVIDED "AS IS" AND "WITH ALL FAULTS." TI DISCLAIMS ALL OTHER WARRANTIES, EXPRESS OR IMPLIED, REGARDING SUCH ITEMS, INCLUDING BUT NOT LIMITED TO ANY EPIDEMIC FAILURE WARRANTY OR IMPLIED WARRANTIES OF MERCHANTABILITY OR FITNESS FOR A PARTICULAR PURPOSE OR NON-INFRINGEMENT OF ANY THIRD PARTY PATENTS, COPYRIGHTS, TRADE SECRETS OR OTHER INTELLECTUAL PROPERTY RIGHTS.
- 6.2 EXCEPT FOR THE LIMITED RIGHT TO USE THE EVM SET FORTH HEREIN, NOTHING IN THESE TERMS SHALL BE CONSTRUED AS GRANTING OR CONFERRING ANY RIGHTS BY LICENSE, PATENT, OR ANY OTHER INDUSTRIAL OR INTELLECTUAL PROPERTY RIGHT OF TI, ITS SUPPLIERS/LICENSORS OR ANY OTHER THIRD PARTY, TO USE THE EVM IN ANY FINISHED END-USER OR READY-TO-USE FINAL PRODUCT, OR FOR ANY INVENTION, DISCOVERY OR IMPROVEMENT, REGARDLESS OF WHEN MADE, CONCEIVED OR ACQUIRED.
7. *USER'S INDEMNITY OBLIGATIONS AND REPRESENTATIONS.* USER WILL DEFEND, INDEMNIFY AND HOLD TI, ITS LICENSORS AND THEIR REPRESENTATIVES HARMLESS FROM AND AGAINST ANY AND ALL CLAIMS, DAMAGES, LOSSES, EXPENSES, COSTS AND LIABILITIES (COLLECTIVELY, "CLAIMS") ARISING OUT OF OR IN CONNECTION WITH ANY HANDLING OR USE OF THE EVM THAT IS NOT IN ACCORDANCE WITH THESE TERMS. THIS OBLIGATION SHALL APPLY WHETHER CLAIMS ARISE UNDER STATUTE, REGULATION, OR THE LAW OF TORT, CONTRACT OR ANY OTHER LEGAL THEORY, AND EVEN IF THE EVM FAILS TO PERFORM AS DESCRIBED OR EXPECTED.
8. *Limitations on Damages and Liability:*
- 8.1 *General Limitations.* IN NO EVENT SHALL TI BE LIABLE FOR ANY SPECIAL, COLLATERAL, INDIRECT, PUNITIVE, INCIDENTAL, CONSEQUENTIAL, OR EXEMPLARY DAMAGES IN CONNECTION WITH OR ARISING OUT OF THESE TERMS OR THE USE OF THE EVMS , REGARDLESS OF WHETHER TI HAS BEEN ADVISED OF THE POSSIBILITY OF SUCH DAMAGES. EXCLUDED DAMAGES INCLUDE, BUT ARE NOT LIMITED TO, COST OF REMOVAL OR REINSTALLATION, ANCILLARY COSTS TO THE PROCUREMENT OF SUBSTITUTE GOODS OR SERVICES, RETESTING, OUTSIDE COMPUTER TIME, LABOR COSTS, LOSS OF GOODWILL, LOSS OF PROFITS, LOSS OF SAVINGS, LOSS OF USE, LOSS OF DATA, OR BUSINESS INTERRUPTION. NO CLAIM, SUIT OR ACTION SHALL BE BROUGHT AGAINST TI MORE THAN TWELVE (12) MONTHS AFTER THE EVENT THAT GAVE RISE TO THE CAUSE OF ACTION HAS OCCURRED.
- 8.2 *Specific Limitations.* IN NO EVENT SHALL TI'S AGGREGATE LIABILITY FROM ANY USE OF AN EVM PROVIDED HEREUNDER, INCLUDING FROM ANY WARRANTY, INDEMNITY OR OTHER OBLIGATION ARISING OUT OF OR IN CONNECTION WITH THESE TERMS, , EXCEED THE TOTAL AMOUNT PAID TO TI BY USER FOR THE PARTICULAR EVM(S) AT ISSUE DURING THE PRIOR TWELVE (12) MONTHS WITH RESPECT TO WHICH LOSSES OR DAMAGES ARE CLAIMED. THE EXISTENCE OF MORE THAN ONE CLAIM SHALL NOT ENLARGE OR EXTEND THIS LIMIT.
9. *Return Policy.* Except as otherwise provided, TI does not offer any refunds, returns, or exchanges. Furthermore, no return of EVM(s) will be accepted if the package has been opened and no return of the EVM(s) will be accepted if they are damaged or otherwise not in a resalable condition. If User feels it has been incorrectly charged for the EVM(s) it ordered or that delivery violates the applicable order, User should contact TI. All refunds will be made in full within thirty (30) working days from the return of the components(s), excluding any postage or packaging costs.
10. *Governing Law:* These terms and conditions shall be governed by and interpreted in accordance with the laws of the State of Texas, without reference to conflict-of-laws principles. User agrees that non-exclusive jurisdiction for any dispute arising out of or relating to these terms and conditions lies within courts located in the State of Texas and consents to venue in Dallas County, Texas. Notwithstanding the foregoing, any judgment may be enforced in any United States or foreign court, and TI may seek injunctive relief in any United States or foreign court.



## IMPORTANT NOTICE FOR TI DESIGN INFORMATION AND RESOURCES

Texas Instruments Incorporated ("TI") technical, application or other design advice, services or information, including, but not limited to, reference designs and materials relating to evaluation modules, (collectively, "TI Resources") are intended to assist designers who are developing applications that incorporate TI products; by downloading, accessing or using any particular TI Resource in any way, you (individually or, if you are acting on behalf of a company, your company) agree to use it solely for this purpose and subject to the terms of this Notice.

TI's provision of TI Resources does not expand or otherwise alter TI's applicable published warranties or warranty disclaimers for TI products, and no additional obligations or liabilities arise from TI providing such TI Resources. TI reserves the right to make corrections, enhancements, improvements and other changes to its TI Resources.

You understand and agree that you remain responsible for using your independent analysis, evaluation and judgment in designing your applications and that you have full and exclusive responsibility to assure the safety of your applications and compliance of your applications (and of all TI products used in or for your applications) with all applicable regulations, laws and other applicable requirements. You represent that, with respect to your applications, you have all the necessary expertise to create and implement safeguards that (1) anticipate dangerous consequences of failures, (2) monitor failures and their consequences, and (3) lessen the likelihood of failures that might cause harm and take appropriate actions. You agree that prior to using or distributing any applications that include TI products, you will thoroughly test such applications and the functionality of such TI products as used in such applications. TI has not conducted any testing other than that specifically described in the published documentation for a particular TI Resource.

You are authorized to use, copy and modify any individual TI Resource only in connection with the development of applications that include the TI product(s) identified in such TI Resource. NO OTHER LICENSE, EXPRESS OR IMPLIED, BY ESTOPPEL OR OTHERWISE TO ANY OTHER TI INTELLECTUAL PROPERTY RIGHT, AND NO LICENSE TO ANY TECHNOLOGY OR INTELLECTUAL PROPERTY RIGHT OF TI OR ANY THIRD PARTY IS GRANTED HEREIN, including but not limited to any patent right, copyright, mask work right, or other intellectual property right relating to any combination, machine, or process in which TI products or services are used. Information regarding or referencing third-party products or services does not constitute a license to use such products or services, or a warranty or endorsement thereof. Use of TI Resources may require a license from a third party under the patents or other intellectual property of the third party, or a license from TI under the patents or other intellectual property of TI.

TI RESOURCES ARE PROVIDED "AS IS" AND WITH ALL FAULTS. TI DISCLAIMS ALL OTHER WARRANTIES OR REPRESENTATIONS, EXPRESS OR IMPLIED, REGARDING TI RESOURCES OR USE THEREOF, INCLUDING BUT NOT LIMITED TO ACCURACY OR COMPLETENESS, TITLE, ANY EPIDEMIC FAILURE WARRANTY AND ANY IMPLIED WARRANTIES OF MERCHANTABILITY, FITNESS FOR A PARTICULAR PURPOSE, AND NON-INFRINGEMENT OF ANY THIRD PARTY INTELLECTUAL PROPERTY RIGHTS.

TI SHALL NOT BE LIABLE FOR AND SHALL NOT DEFEND OR INDEMNIFY YOU AGAINST ANY CLAIM, INCLUDING BUT NOT LIMITED TO ANY INFRINGEMENT CLAIM THAT RELATES TO OR IS BASED ON ANY COMBINATION OF PRODUCTS EVEN IF DESCRIBED IN TI RESOURCES OR OTHERWISE. IN NO EVENT SHALL TI BE LIABLE FOR ANY ACTUAL, DIRECT, SPECIAL, COLLATERAL, INDIRECT, PUNITIVE, INCIDENTAL, CONSEQUENTIAL OR EXEMPLARY DAMAGES IN CONNECTION WITH OR ARISING OUT OF TI RESOURCES OR USE THEREOF, AND REGARDLESS OF WHETHER TI HAS BEEN ADVISED OF THE POSSIBILITY OF SUCH DAMAGES.

You agree to fully indemnify TI and its representatives against any damages, costs, losses, and/or liabilities arising out of your non-compliance with the terms and provisions of this Notice.

This Notice applies to TI Resources. Additional terms apply to the use and purchase of certain types of materials, TI products and services. These include; without limitation, TI's standard terms for semiconductor products (<http://www.ti.com/sc/docs/stdterms.htm>), [evaluation modules](#), and [samples](http://www.ti.com/sc/docs/sampterm.htm) (<http://www.ti.com/sc/docs/sampterm.htm>).

Mailing Address: Texas Instruments, Post Office Box 655303, Dallas, Texas 75265  
Copyright © 2018, Texas Instruments Incorporated