



MATERIAL

High-resilience polypropylene based (PP) technopolymer, black colour, matte finish.

PACKING RINGS

Two NBR synthetic rubber O-rings.

STANDARD EXECUTIONS

- **TPC.**: without side hole.
- **TPCF.**: with side breather hole.

MAXIMUM CONTINUOUS WORKING TEMPERATURE

100°C.

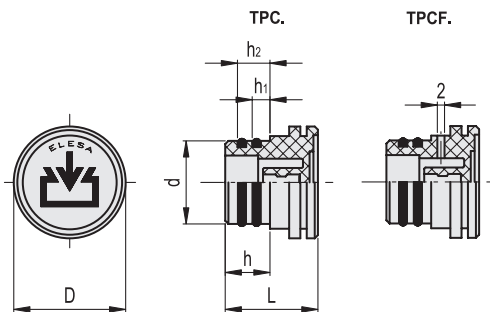
GRAPHIC SYMBOL "FILL"

According to DIN regulations.



ELESA Original design

Conversion Table	
1 mm = 0.039 inch	
d	
mm	inch
20	0.79
26	1.02



TPC.

METRIC

Code	Description	d+0.2	h	D	L	h1	h2	⚖️
59861	TPC.20	20	14	30	29	6.5	10.5	8
59881	TPC.26	26	14	35	29.5	6.5	10.5	15

TPCF.

Code	Description	d+0.2	h	D	L	h1	h2	⚖️
59901	TPCF.20	20	14	30	29	6.5	10.5	8
59921	TPCF.26	26	14	35	29.5	6.5	10.5	15

