



**MATERIAL**

High-resilience polypropylene based (PP) technopolymer, black colour, matte finish.

**PACKING RINGS**

Two NBR synthetic rubber O-rings.

**FLAT DIPSTICK**

Flat section phosphatised steel.

On request and for sufficient quantities dipstick can be supplied in different lengths and/or complete with MAX-MIN level lines.

**STANDARD EXECUTIONS**

- **TPC+a**: without side hole.
- **TPCF+a**: with side breather hole.

**MAXIMUM CONTINUOUS WORKING TEMPERATURE**

100°C.

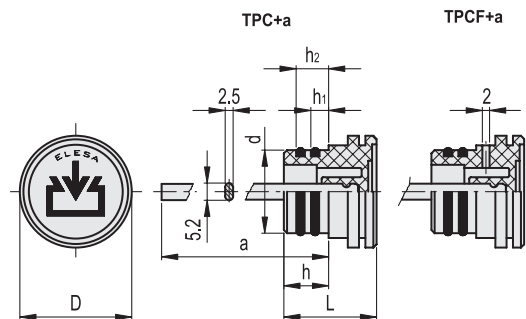
**GRAPHIC SYMBOL "FILL"**

According to DIN regulations.



ELESA Original design

Conversion Table	
1 mm = 0.039 inch	
d	
mm	inch
20	0.79
26	1.02



**TPC+a**

METRIC

Code	Description	d+0.2	h	D	L	h1	h2	a	⚖
59865	TPC.20+a	20	14	30	29	6.5	10.5	188	27
59885	TPC.26+a	26	14	35	29.5	6.5	10.5	188	35

**TPCF+a**

Code	Description	d+0.2	h	D	L	h1	h2	a	⚖
59905	TPCF.20+a	20	14	30	29	6.5	10.5	188	27
59925	TPCF.26+a	26	14	35	29.5	6.5	10.5	188	35



Accessories for hydraulic systems