

TPC 131308



Sample image

Order symbol: TPC 131308

Product nbr: 5824041

Description: Enclosure. PC

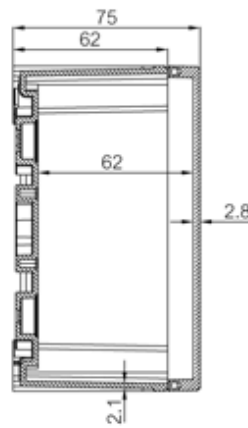
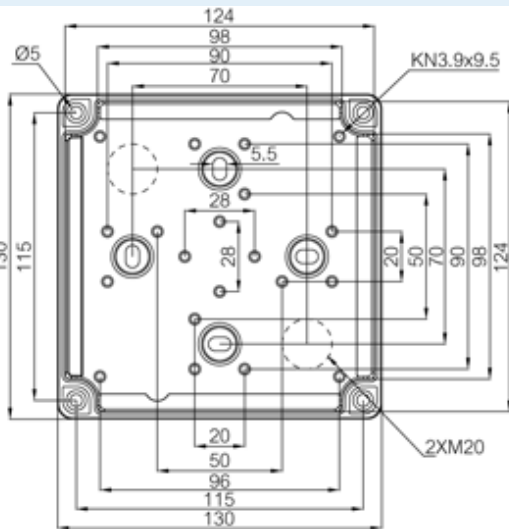
Remarks: Opaque cover

EAN: 6418074049773

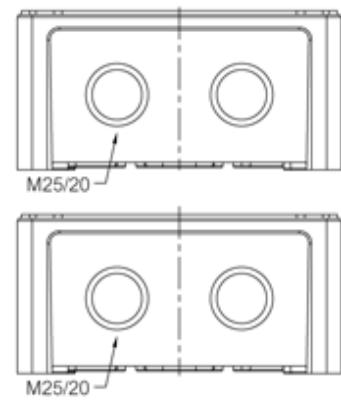
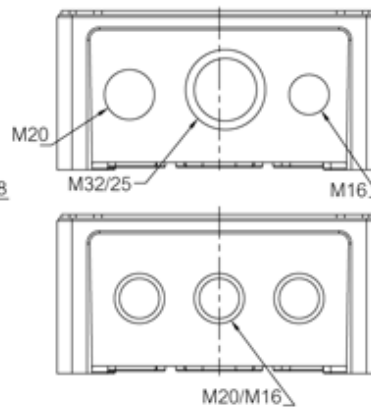
El. number:

- Finland:
- Denmark:
- Sweden:

Including:



TPCM/TAM



Dimensions:	Height	Width	Depth
mm:	130	130	75
inch:	5.12	5.12	2.95

Accessories:

MIV 10	DIN-35 Mounting rail. for enclosures: (100 x 35 x 1)
FP 10674	Mounting foot kit (2 pcs) incl. screws

Materials:

Material:	Polycarbonate
Base colour:	
Cover colour:	
Gasket material:	

Rating:

Ingress protection (EN 60529):	IP65;
Impact Resistance (EN 62262):	IK07; IK08;
Electrical insulation:	Totally insulated
Halogen free (DIN/VDE 0472, Part 815):	1
UV resistance:	-
Flammability Rating:	UL 746C 5"
Glow Wire Test (IEC 695-2-1) °C:	960 °C
NEMA Class	

Temperatures:

Temperature °C (short term)::	-40 ... 120
Temperature °C (continuous):	

Temperature °F (short term): -40 ... 250

Temperature °F (continuous): -40 ... 175

Certificates:

Certificate FI 40343