

# TPC 090706



Sample image

**Order symbol:** TPC 090706

**Product nbr:** 5824038

**Description:** Enclosure. PC

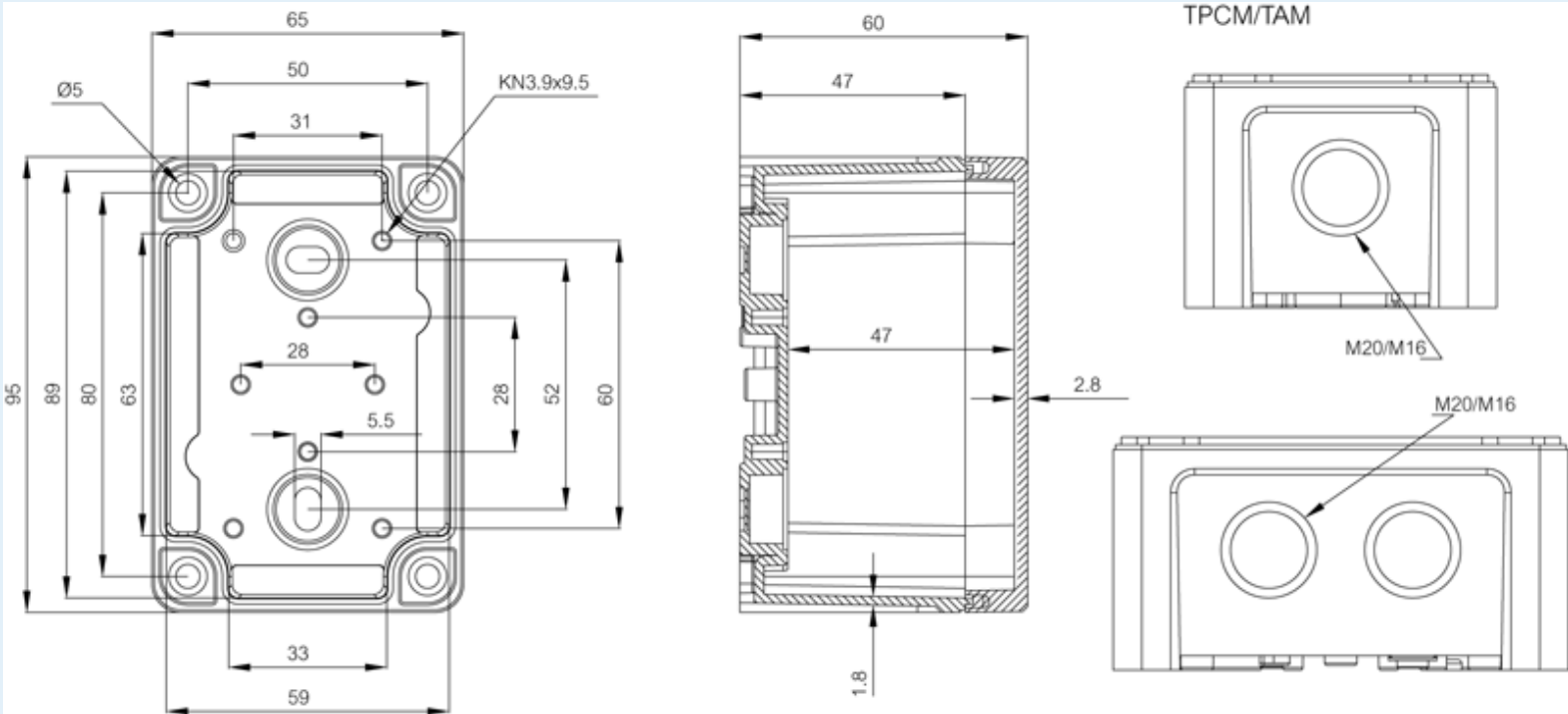
**Remarks:** Opaque cover

**EAN:** 6418074309556

**Including:**

**El. number:**

- Finland:
- Denmark:
- Sweden:



Dimensions:	Height	Width	Depth
mm:	95	65	60
inch:	3.74	2.56	2.36

**Accessories:**

FP 10674      Mounting foot kit (2 pcs) incl. screws

**Materials:**

Material: Polycarbonate  
Base colour:  
Cover colour:  
Gasket material:

**Rating:**

Ingress protection (EN 60529): IP65;  
Impact Resistance (EN 62262): IK07; IK08;  
Electrical insulation: Totally insulated  
Halogen free (DIN/VDE 0472, Part 815): 1  
UV resistance: -

**Temperatures:**

Temperature °C (short term):: -40 ... 120

Temperature °C (continuous):

Temperature °F (short term): -40 ... 250

Temperature °F (continuous): -40 ... 175

Flammability Rating:

UL 746C 5"

Glow Wire Test (IEC 695-2-1) °C:

960 °C

NEMA Class

**Certificates:**

Certificate FI 40343