

TPA2018D1YZFEVM

Contents

1	Introduction	1
2	Operation	2
3	TPA2018D1YZFEVM Schematic	7
4	TPA2018D1YZFEVM PCB Layers	9
5	TPA2018D1YZFEVM Parts List	10

List of Figures

1	Place Shunts Horizontally Across SDA and SCL.....	2
2	Found New Hardware Wizard Advisory Screen	3
3	Starting the Software	4
4	Software Interface	5
5	Connect I ² C Controls to JP3	6
6	TPA2018D1YZFEVM – YZF-Device Schematic, Page 1.....	7
7	TPA2018D1YZFEVM – YZF-Device Schematic, Page 2.....	8
8	TPA2018DYZF1EVM – YZF-Device Top Layer	9
9	TPA2018D1YZFEVM – YZF-Device Bottom Layer	9

List of Tables

1	Bill of Materials for TPA2018D1YZFEVM	10
---	---	----

1 Introduction

1.1 Description

The TPA2018D1 is a mono, filter-free Class-D audio power amplifier with automatic gain control (AGC), dynamic range compression (DRC) and I²C digital volume control. The AGC and DRC functions enhance the perceived audio loudness, and at the same time prevent speaker damage from overdrive. The TPA2018D1 has independent software shutdown control and a 30-step volume control. Availability in the WCSP package makes TPA2018D1 an ideal choice for both cellular handsets and PDAs.

The TPA2018D1 evaluation module (EVM) is a complete, stand-alone audio board. It contains the TPA2018D1 WCSP (YZF) Class-D audio power amplifier.

All components and the EVM are Pb free.

1.2 TPA2018D1YZFEVM Specifications

V_{DD}	Supply voltage range	-0.3 V to 6 V
I_{DD}	Supply current	2 A Maximum
P_o	Continuous output power per channel, 8 Ω , $V_{dd} = 5.0$ V, THD + N = 10%	1.7 W
V_I	Audio Input Voltage	0.5 V to $V_{DD} - 0.5$ V
RL	Minimum load impedance	8 Ω

2 Operation

The TPA2018D1YZFEVM can be evaluated in a stand-alone mode or when connected to existing circuits with I²C controls.

2.1 Quick Start List for Stand-Alone Operation

A desktop or laptop computer with Windows™ XP installed is required in the stand-alone operation. Install the software before connecting the EVM to a computer with a USB cable. The inputs accept standard RCA plugs and the outputs accept banana connectors.

2.1.1 Software Installation Sequence

1. Insert the CD provided.
2. Unzip the files to a temporary folder.
3. Install TPA2018D1 software by executing setup.exe located in *TPA2018D1 Interface*.

Accept license agreement and defaults, and complete the installation. Note: you can uninstall later with Add/Remove Programs.

Note: It is unnecessary to repeat the steps in [Section 2.1.1](#), once the software is installed.

2.1.2 Evaluation Module Preparations

1. Ensure that all external power sources are set to OFF.
2. Install shunt in jumper JP4;
3. Install shunts in jumpers JP2 when single-ended audio input is used; this ties IN- to ground.
4. Install shunts in J1 and J3 as shown in [Figure 1](#). This sets the TPA2018D1 to accept I²C inputs from the EVM itself.

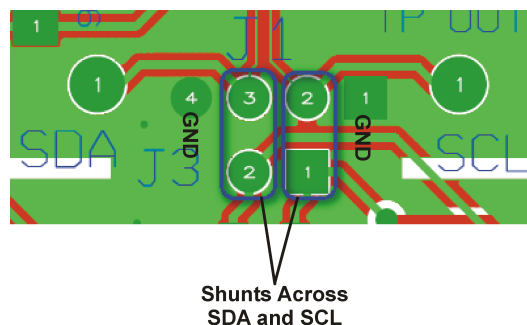


Figure 1. Place Shunts Horizontally Across SDA and SCL

5. Powering the EVM:
 - The EVM can be powered via USB connection or by external power supply:
 - a. Via USB power: Install shunt for USBPWR if USB power is used.
 - b. External power supply: connect an external regulated power supply adjusted for 2.5 V–5.5 V to the VDD and GND banana jacks, taking care to observe marked polarity. Make sure USBPWR is removed in this case.

Note:

 - i. USB interface may not be able to provide enough current. For best audio performance, use external power supply.
 - ii. Make sure only one power source is used. Connecting two power sources will cause damage to the device and the supply.
6. Connect audio source to RCA jacks IN.
7. Connect speakers (8 Ω to 32 Ω) to the output banana jacks OUTP and OUTM.
8. Plug in USB.
9. Turn on the power supply.
10. If this is the first time a TPA2018D1YZFEVM is plugged in after installing the software, follow the Windows dialog (Figure 2), questions, and selections:
 - a. Select "Install from a list or specific location (Advanced)", then click next.⁽¹⁾
 - b. Browse to the folder where the TPA2018D1 interface is installed then click ok.
 - c. Windows will automatically install the driver.

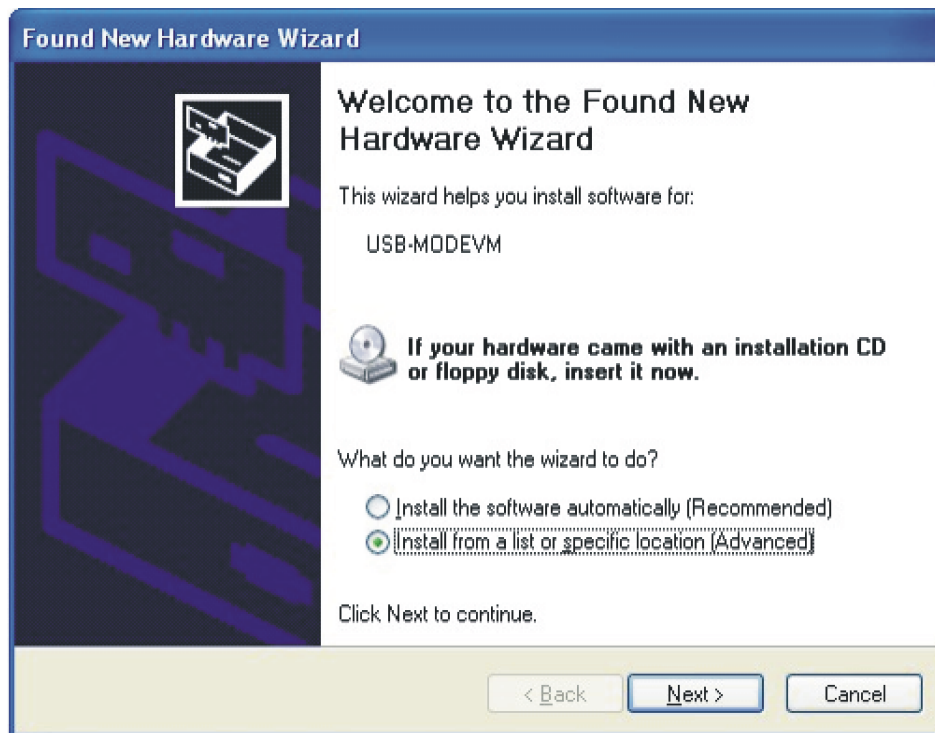


Figure 2. Found New Hardware Wizard Advisory Screen

Note: It is not necessary to repeat steps 10. a. to c., once the driver is installed.

⁽¹⁾ Computer screen images showing Windows XP interface are courtesy of Microsoft Corporation

2.1.3 Using the Software

1. Start the TPA2018D1 Interface by clicking the *Start* menu and clicking on the *TPA2018D1 Interface* icon.

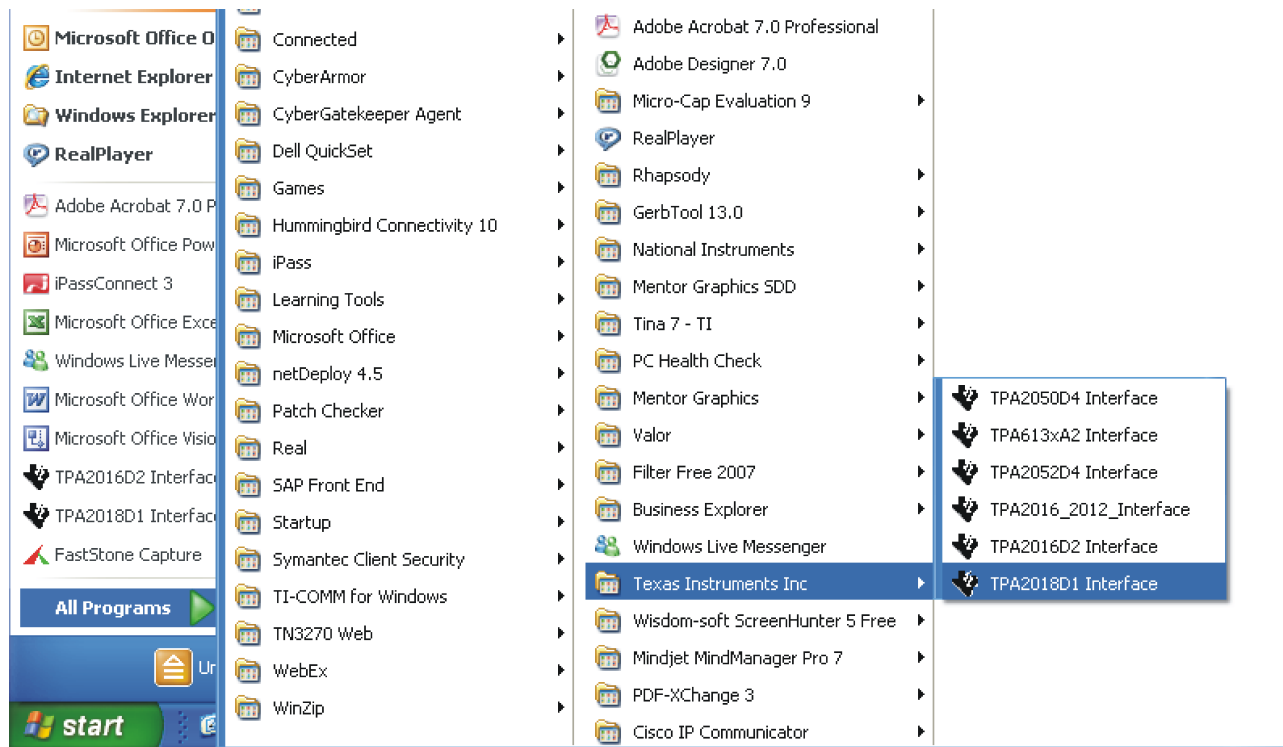


Figure 3. Starting the Software

2. The TPA2018D1 software interface is as shown in [Figure 4](#).

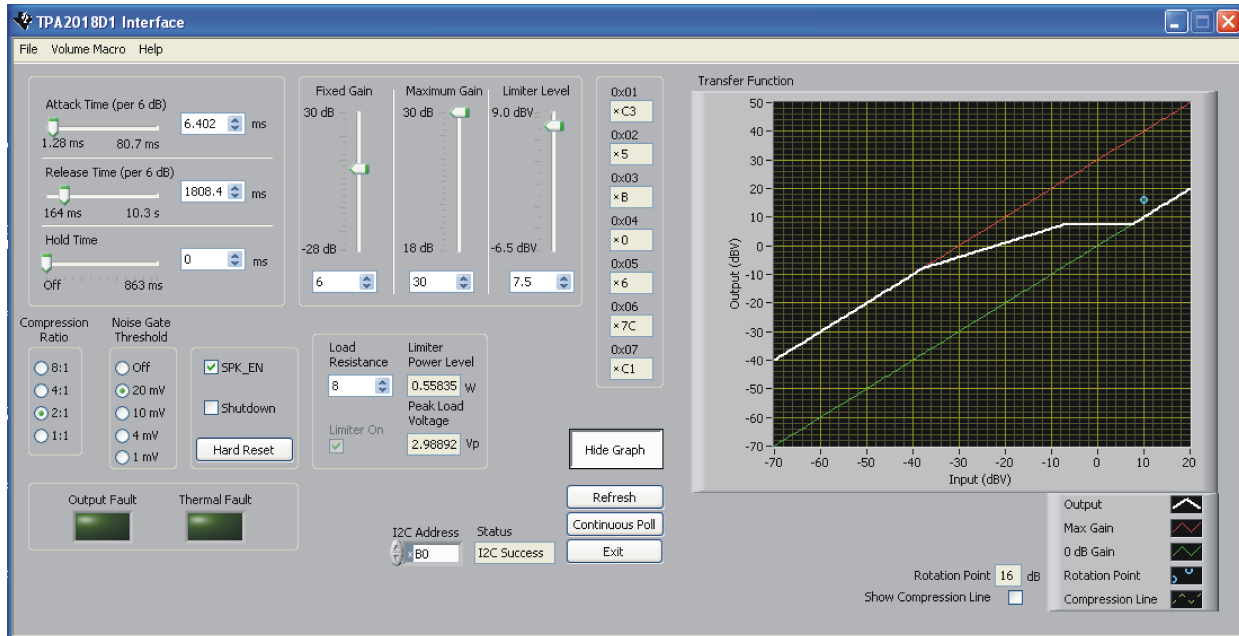


Figure 4. Software Interface

Note: The TPA2018D1 powers up with the amplifier in software shutdown. To hear an output, uncheck shutdown.

3. Uncheck and check *SPK_EN* to place the Class-D output in and out of CHANNEL SHUTDOWN.
4. Click *Shutdown* to place the TPA2018D1 in and out of SOFTWARE SHUTDOWN.
5. Adjust the *Attack Time*, *Release Time* and *Hold Time* by sliding the bar or clicking the tap in the GUI. You can also type a value in the box; in that case, the value will be rounded to the closest available setting.
6. Adjust the *Fixed Gain*, *Maximum Gain* and *Limiter Level* by dragging the bar or clicking the tap in the GUI. You can also type a value in the box; in that case, the value will be rounded to the closest available setting.
7. Adjust *Compression Ratio* and *Noise Gate Threshold* by clicking the value.
8. The Limiter Power Level can be calculated by selecting the Load Resistance.
9. *I2C Status* box reports the status of I²C communications. An error or failure has occurred if it shows *I2C failure*.
10. To read the I²C status, click Refresh.
11. *Thermal* box reports the status of thermal failure. A thermal fault has occurred if it turns red.
12. Click *Show Graph* to display the AGC transfer function. The transfer function is automatically updated with the current AGC parameters (fixed gain, maximum gain, limiter level and compression) in GUI. Click *Hide Graph* to hide the transfer function.
13. Volume Macro simulates volume control by changing fixed gain, limiter level and maximum gain simultaneously. Follow the steps below to use the Volume Marco.
 - At the top left corner of the GUI, select Volume Macro.
 - Slide the volume bar to adjust the volume.
 - Click Volume Marco again to go back to GUI.
 - Click refresh to update the AGC parameters.
14. The GUI has a built-in I²C programming interface. Follow the steps below to use the I²C programming function.
 - At the top left corner of the GUI, click *File* to access the I²C programming interface.

- *Save Script* can record the current register values. Select Save Script >> Click the folder icon to browse to the place where you want to save the script >> name the file in text format, then select OK to save.
- *Load Script* can load the previously saved script to program the entire register file. Select Load Script >> Click the folder icon to browse to the place where the script is located >> Select the file then click OK >> Click Load.
- *I²C interface* can program individual register value of TPA2018D1. Select I²C Interface >> I²C address is xB0, which is the address of TPA2018D1. Device address is from 1 to 7, which is the register address of TPA2018D1.

2.1.4 Shutdown Control

The TPA2018D1 EVM provides independent hardware shutdown controls for the Class-D power amplifier and the USB controller.

1. Press and hold push button S1 to shutdown TPA2018D1. Release S1 to activate TPA2018D1.
2. Press and hold push button S2 to shutdown the USB controller. Release S2 to activate the USB controller.

2.2 Quick Start List When Connected to Existing Circuits With I²C Controls

The TPA2018D1YZFEVM can be easily connected to existing circuits with I²C controls. Connections to the EVM module can be made using banana plugs for the power supply. The inputs accept standard RCA plugs and the outputs accept banana connectors.

2.2.1 Evaluation Module Preparations

1. Ensure that all external power sources are set to OFF.
2. Install shunts in jumpers JP4.
3. Remove shunts between J1 and J3 and connect I²C controls to J1 as shown in [Figure 5](#).

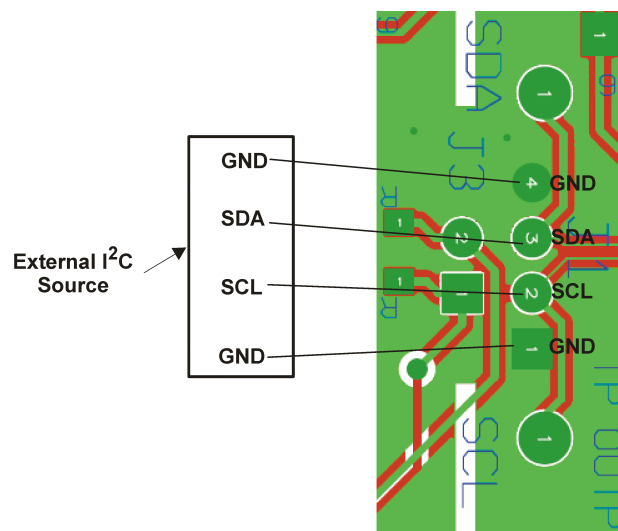


Figure 5. Connect I²C Controls to JP3

4. Install shunts in jumpers JP2 when single-ended audio input is used; this ties IN⁻ to ground.
5. Remove USBPWR.
6. Connect an external regulated power supply adjusted for 2.5 V–5.5 V to the VDD and GND banana jacks, taking care to observe marked polarity.
7. Connect audio source to IN.
8. Connect speakers (8 Ω to 32 Ω) to the output banana jacks OUTP and OUTM.
9. Turn on power supply.

3 TPA2018D1YZFEVM Schematic

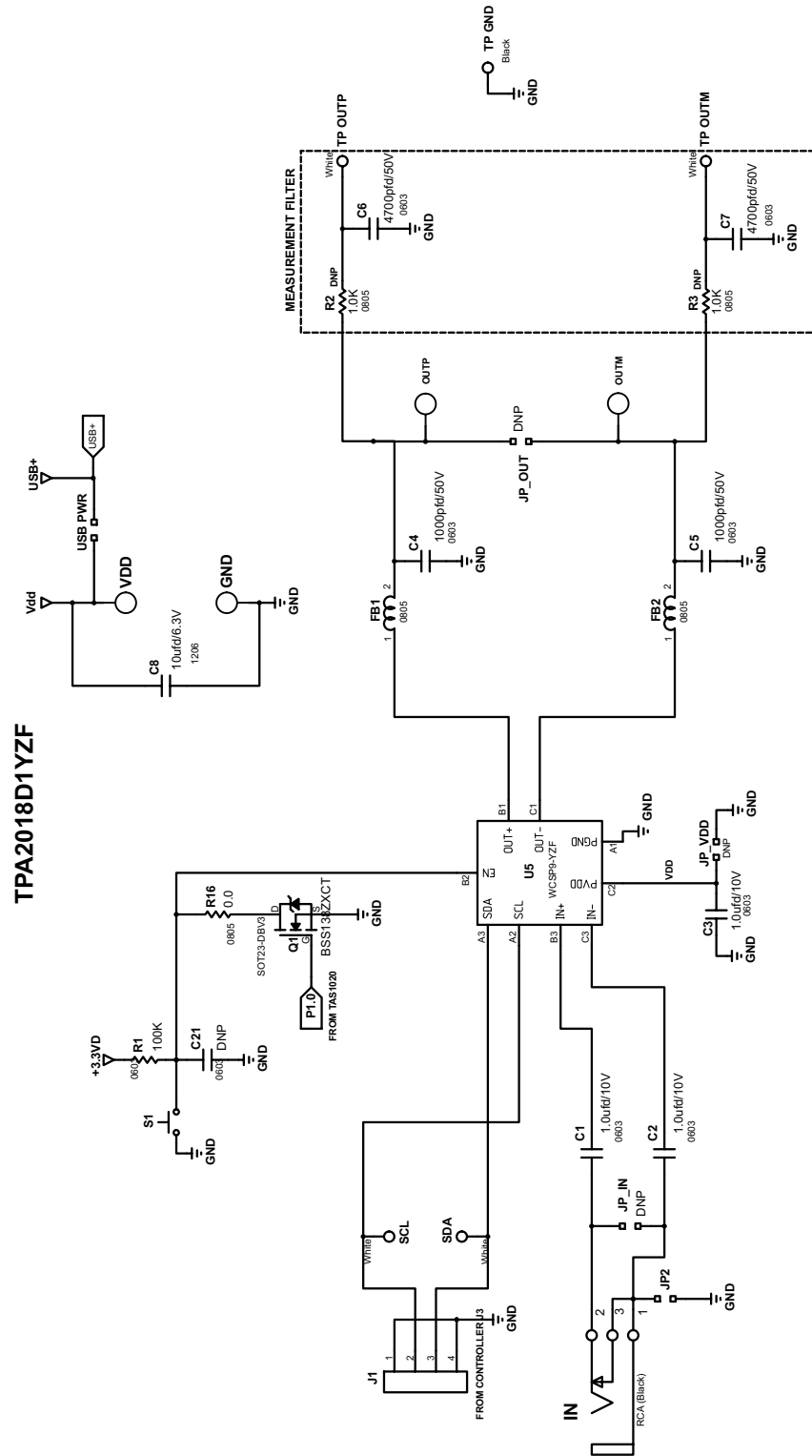


Figure 6. TPA2018D1YZFEVM – YZF-Device Schematic, Page 1

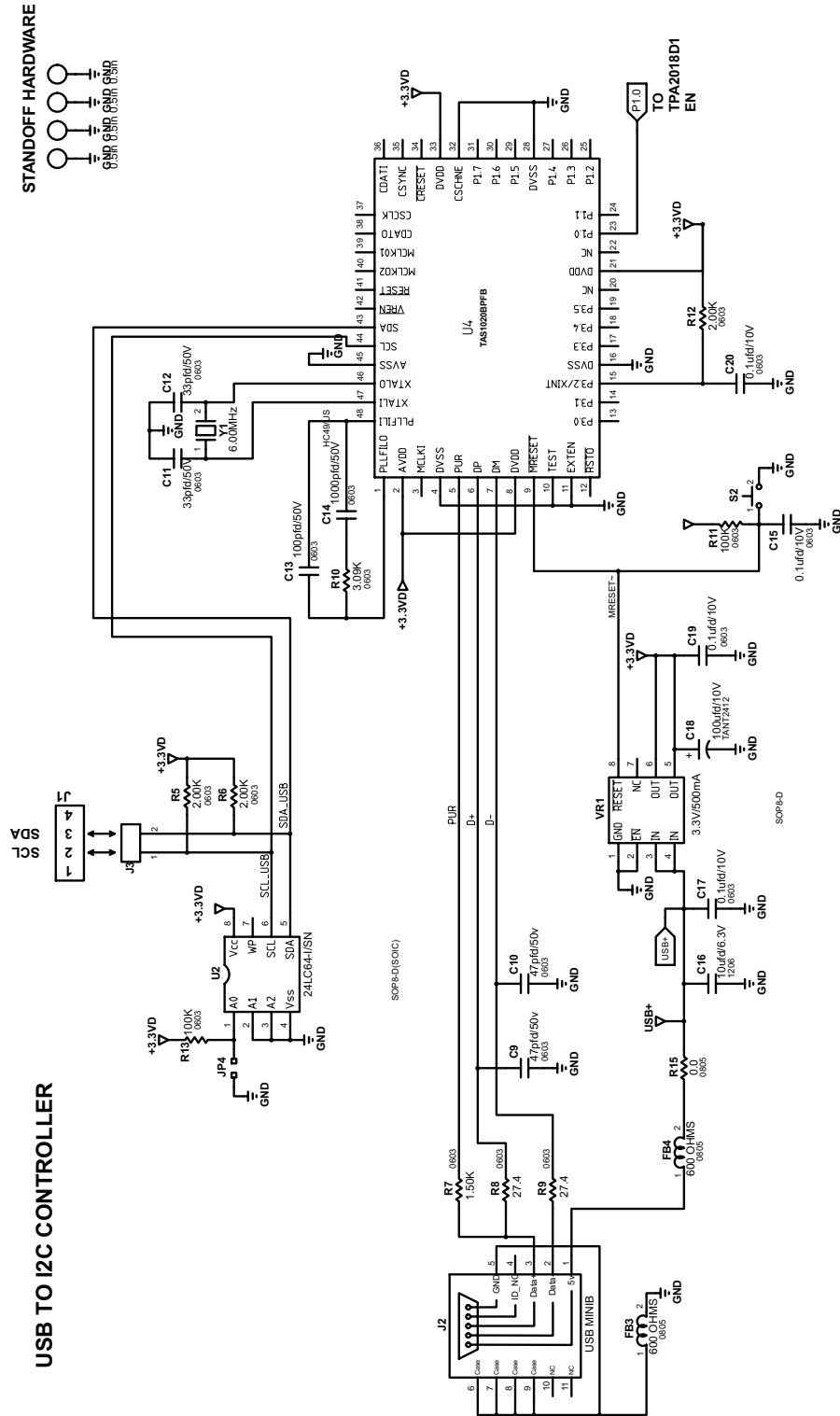


Figure 7. TPA2018D1YZFEVM – YZF-Device Schematic, Page 2

4 TPA2018D1YZFEVM PCB Layers

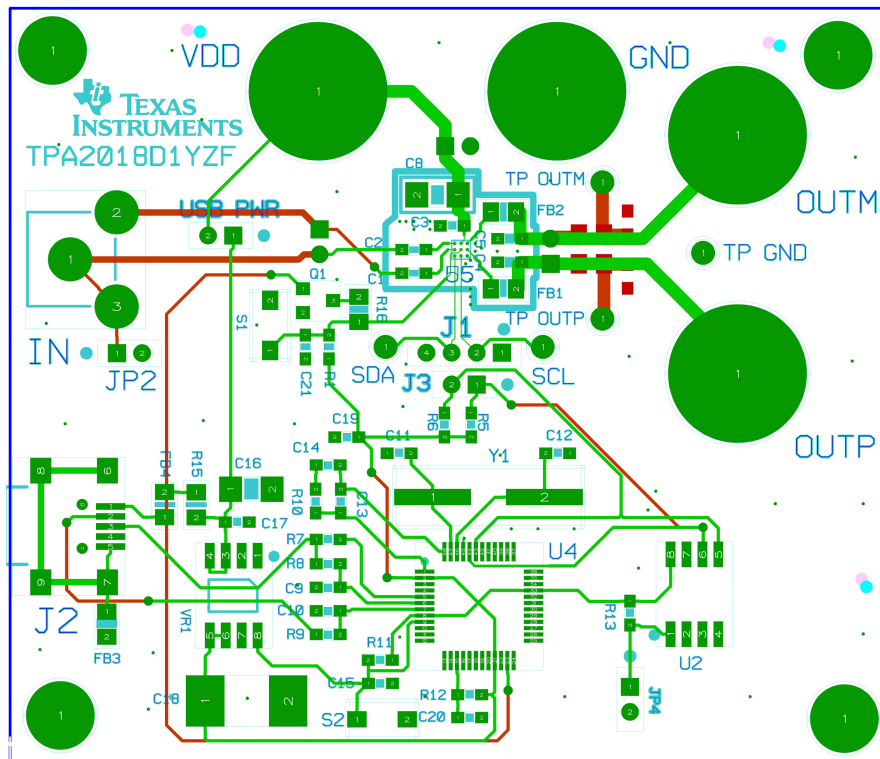


Figure 8. TPA2018D1YZFEVM – YZF-Device Top Layer

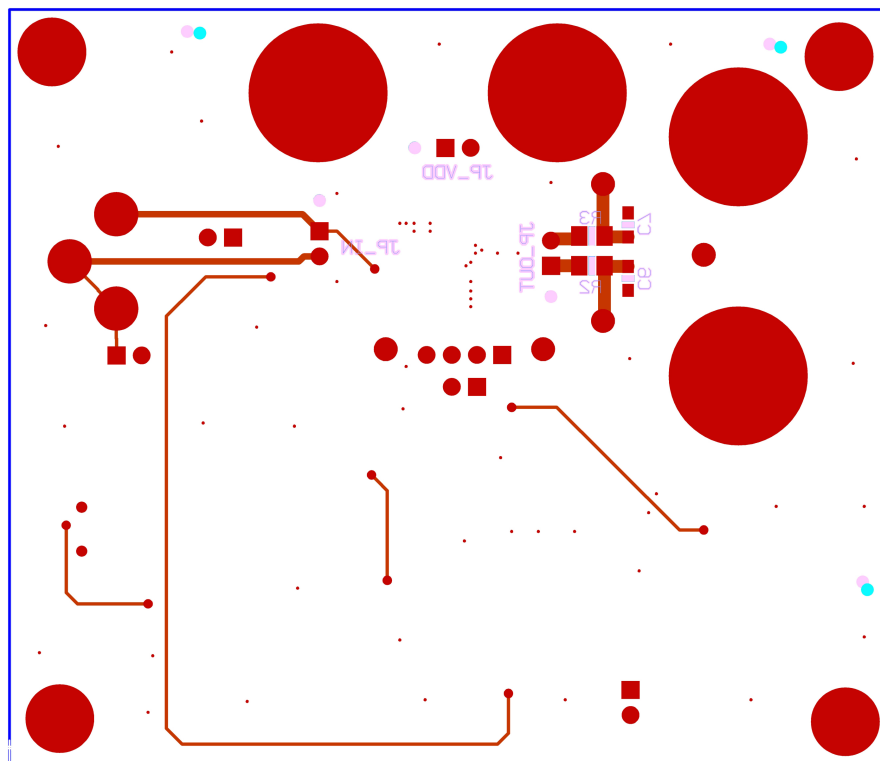


Figure 9. TPA2018D1YZFEVM – YZF-Device Bottom Layer

5 TPA2018D1YZFEVM Parts List
Table 1. Bill of Materials for TPA2018D1YZFEVM

Ref Des	Description	QTY	MFR Part No.	MFR	Vendor Part No.	Vendor
TI SEMICONDUCTORS						
U5	1.7 W Mono speaker driver W/AGC I2C CTRL, W CSP9-YZF ROHS	1	TPA2018D1YZF	Texas Instruments	TPA2018D1YZF	Texas Instruments
VR1	VOLT REG 3.3V 500mA LDO fast transient response SOP8-D ROHS	1	TPS77533D	Texas Instruments	296-2776-5	Digi-Key
U4	USB Streaming controller TQFP48-PFB ROHS	1	TAS1020BPFB	Texas Instruments	296-13041-5	Digi-Key
SEMICONDUCTORS						
U2	64K I2C SERIAL EEPROM SOP8-D	1	24LC64-I/SN	Microchip	24LC64-I/SN	Digi-Key
Q1	N-CH Enhancement mode VERT DMOS FET SOT23-DBV3 ROHS	1	BSS138TA	Zetex	BSS138ZXCT	Digi-Key
Y1	Crystal, 6.000 MHz, SMT-HC49/US CSM-7 ROHS	1	ECS-60-32-5PXDN-TR	ECS	XC1295CT	Digi-Key
CAPACITORS						
C11,C12	CAP 33 pF 50V 5% CERM 0603 NPO ROHS	2	ECJ-1VC1H330J	Panasonic	PCC330ACVCT	Digi-Key
C9, C10	CAP 47 pF 50V 5% CERM 0603 NPO ROHS	2	ECJ-1VC1H470J	Panasonic	PCC470ACVCT	Digi-Key
C13	CAP 100 pF 50V 5% CERM 0603 NPO ROHS	1	ECJ-1VC1H101J	Panasonic	PCC101ACVCT	Digi-Key
C14	CAP 1000 pF 50V 5% CERM 0603 COG ROHS	1	C1608C0G1H102J	TDK Corp.	445-1293-1	Digi-Key
C6, C7	CAP 4700 pF 50V CERM 0603 X7R ROHS	2	ECJ-1VB1H472K	Panasonic	PCC1780CT	Digi-Key
C15, C17, C19, C20	CAP SMT0603 CERM 0.1µF 10V 5% X7R ROHS	4	C0603C104K8RACTU	Kemet	399-1095-1	Digi-Key
C1-C3	CAP 1.0 µF 10V 10% CERM 0603 X5R ROHS	3	ECJ-1VB1A105K	Panasonic	PCC2174CT	Digi-Key
C8, C16	CAP 10 µF 6.3V 10% CERM 1206 X5R ROHS	2	C3216X5R0J106K	TDK	445-1388-1	Digi-Key
C18	CAP TANT2412 100 µF 10V 10% B45197A ROHS	1	B45197A2107K309	Kemet	495-1528-1	Digi-Key
RESISTORS						
R15, R16	RES 0Ω 1/8W 5% SMD 0805 ROHS	2	ERJ-6GEY0R00V	Panasonic	P0.0ACT	Digi-Key
R8, R9	RESISTOR SMD0603 27.4 Ω 1/10W 1% ROHS	2	CRCW060327R4FKEA	Vishay	541-27.4HCT	Digi-Key
R7	RES SMD0603 1.50 kΩ 1/10W 1% ROHS	1	ERJ-3EKF1501V	Panasonic	P1.50KHCT	Digi-Key
R5, R6, R12	RES 2.00 kΩ 1/16W 1% SMD 0603 ROHS	3	ERJ-3EKF2001V	Panasonic	P2.00KHCT	Digi-Key
R10	RES 3.09kΩ 1/10W 1% SMD 0603 ROHS	1	ERJ-3EKF3091V	Panasonic	P3.09KHCT	Digi-Key
R1, R11, R13	RES 100 kΩ 1/16W 1% SMD 0603 ROHS	3	ERJ-3EKF1003V	Panasonic	P100KHCT	Digi-Key
FERRITE BEADS						
FB3, FB4	Ferrite SMD0805 600 Ω 0.24 A RDC=0.14 ROHS	2	MMZ2012R601A	TDK	445-1554-1	Digi-Key
FB1, FB2	Ferrite bead SMD0805 80 Ω at 100 MHz 5A ROHS	2	HI0805R800R-10	Steward	240-2395-1	Digi-Key
HEADERS AND JACKS						
J3, JP2, JP4, USB PWR	Header 2 Pin, PCB 2,0 mm ROHS	4	26630201RP2	Norcomp	2663S-02	Digi-Key
J1	Header 4 Pin, PCB 2,0 mm ROHS	1	26630401RP2	Norcomp	2663S-04	Digi-Key
IN	Jack, RCA 3-Pin PCB-RA Black ROHS	1	PJRN1X1U01X	Switchcraft	65K7770	NEWARK
J2	Jack USB MINIB SMT-RA 5Pin ROHS	1	UX60-MB-5ST	Hirose	H2959CT	Digi-Key

Table 1. Bill of Materials for TPA2018D1YZFEVM (continued)

Ref Des	Description	QTY	MFR Part No.	MFR	Vendor Part No.	Vendor
TESTPOINTS AND SWITCHES						
SCL, SDA, TP OUTM, TP OUTP	PC Testpoint, white, ROHS	4	5002	Keystone Electronics	5002K	Digi-Key
TP GND	PC Testpoint, black, ROHS	1	5001	Keystone Electronics	5001K	Digi-Key
S1, S2	Switch, MOM, 160G SMT 4X3MM ROHS	2	TL1015AF160QG	E-Switch	EG4344CT	Digi-Key
SHUNTS						
JP2, JP4	Shunt, black AU Flash 2mmLS	2	810-002-SP2L001	Norcomp INC.	SP2-001E	Digi-Key
BINDING POSTS						
GND, VDD,OUTM, OUTP	Binding-post, NONINS, THRU, ROHS	4	111-2223-001	Emerson NPCS	J587	Digi-Key
STANDOFFS AND HARDWARE						
HW1-HW4	Standoff ,4-40 0.5 in 3/16 in Diameter ALUM RND F-F	4	2027	Keystone	2027K	Digi-Key
HW1-HW4	4-40 Screw, Steel 0.250 IN	4	PMS 440 0025 PH	Building Fasteners	H342	Digi-Key
COMPONENTS NOT ASSEMBLED						
C21, C4, C5, R2, R3, JP_VDD, JP_VOUT, JP_VIN						

EVALUATION BOARD/KIT IMPORTANT NOTICE

Texas Instruments (TI) provides the enclosed product(s) under the following conditions:

This evaluation board/kit is intended for use for **ENGINEERING DEVELOPMENT, DEMONSTRATION, OR EVALUATION PURPOSES ONLY** and is not considered by TI to be a finished end-product fit for general consumer use. Persons handling the product(s) must have electronics training and observe good engineering practice standards. As such, the goods being provided are not intended to be complete in terms of required design-, marketing-, and/or manufacturing-related protective considerations, including product safety and environmental measures typically found in end products that incorporate such semiconductor components or circuit boards. This evaluation board/kit does not fall within the scope of the European Union directives regarding electromagnetic compatibility, restricted substances (RoHS), recycling (WEEE), FCC, CE or UL, and therefore may not meet the technical requirements of these directives or other related directives.

Should this evaluation board/kit not meet the specifications indicated in the User's Guide, the board/kit may be returned within 30 days from the date of delivery for a full refund. **THE FOREGOING WARRANTY IS THE EXCLUSIVE WARRANTY MADE BY SELLER TO BUYER AND IS IN LIEU OF ALL OTHER WARRANTIES, EXPRESSED, IMPLIED, OR STATUTORY, INCLUDING ANY WARRANTY OF MERCHANTABILITY OR FITNESS FOR ANY PARTICULAR PURPOSE.**

The user assumes all responsibility and liability for proper and safe handling of the goods. Further, the user indemnifies TI from all claims arising from the handling or use of the goods. Due to the open construction of the product, it is the user's responsibility to take any and all appropriate precautions with regard to electrostatic discharge.

EXCEPT TO THE EXTENT OF THE INDEMNITY SET FORTH ABOVE, NEITHER PARTY SHALL BE LIABLE TO THE OTHER FOR ANY INDIRECT, SPECIAL, INCIDENTAL, OR CONSEQUENTIAL DAMAGES.

TI currently deals with a variety of customers for products, and therefore our arrangement with the user **is not exclusive.**

TI assumes **no liability for applications assistance, customer product design, software performance, or infringement of patents or services described herein.**

Please read the User's Guide and, specifically, the Warnings and Restrictions notice in the User's Guide prior to handling the product. This notice contains important safety information about temperatures and voltages. For additional information on TI's environmental and/or safety programs, please contact the TI application engineer or visit www.ti.com/esh.

No license is granted under any patent right or other intellectual property right of TI covering or relating to any machine, process, or combination in which such TI products or services might be or are used.

FCC Warning

This evaluation board/kit is intended for use for **ENGINEERING DEVELOPMENT, DEMONSTRATION, OR EVALUATION PURPOSES ONLY** and is not considered by TI to be a finished end-product fit for general consumer use. It generates, uses, and can radiate radio frequency energy and has not been tested for compliance with the limits of computing devices pursuant to part 15 of FCC rules, which are designed to provide reasonable protection against radio frequency interference. Operation of this equipment in other environments may cause interference with radio communications, in which case the user at his own expense will be required to take whatever measures may be required to correct this interference.

EVM WARNINGS AND RESTRICTIONS

It is important to operate this EVM within the supply voltage range of -0.3 V to 6 V and the input voltage range of -0.3 V to $V_{DD} + 0.3$.

Exceeding the specified input range may cause unexpected operation and/or irreversible damage to the EVM. If there are questions concerning the input range, please contact a TI field representative prior to connecting the input power.

Applying loads outside of the specified output range may result in unintended operation and/or possible permanent damage to the EVM. Please consult the EVM User's Guide prior to connecting any load to the EVM output. If there is uncertainty as to the load specification, please contact a TI field representative.

During normal operation, some circuit components may have case temperatures greater than 85°C . The EVM is designed to operate properly with certain components above 85°C as long as the input and output ranges are maintained. These components include but are not limited to linear regulators, switching transistors, pass transistors, and current sense resistors. These types of devices can be identified using the EVM schematic located in the EVM User's Guide. When placing measurement probes near these devices during operation, please be aware that these devices may be very warm to the touch.

Mailing Address: Texas Instruments, Post Office Box 655303, Dallas, Texas 75265
Copyright © 2009, Texas Instruments Incorporated

IMPORTANT NOTICE

Texas Instruments Incorporated and its subsidiaries (TI) reserve the right to make corrections, modifications, enhancements, improvements, and other changes to its products and services at any time and to discontinue any product or service without notice. Customers should obtain the latest relevant information before placing orders and should verify that such information is current and complete. All products are sold subject to TI's terms and conditions of sale supplied at the time of order acknowledgment.

TI warrants performance of its hardware products to the specifications applicable at the time of sale in accordance with TI's standard warranty. Testing and other quality control techniques are used to the extent TI deems necessary to support this warranty. Except where mandated by government requirements, testing of all parameters of each product is not necessarily performed.

TI assumes no liability for applications assistance or customer product design. Customers are responsible for their products and applications using TI components. To minimize the risks associated with customer products and applications, customers should provide adequate design and operating safeguards.

TI does not warrant or represent that any license, either express or implied, is granted under any TI patent right, copyright, mask work right, or other TI intellectual property right relating to any combination, machine, or process in which TI products or services are used. Information published by TI regarding third-party products or services does not constitute a license from TI to use such products or services or a warranty or endorsement thereof. Use of such information may require a license from a third party under the patents or other intellectual property of the third party, or a license from TI under the patents or other intellectual property of TI.

Reproduction of TI information in TI data books or data sheets is permissible only if reproduction is without alteration and is accompanied by all associated warranties, conditions, limitations, and notices. Reproduction of this information with alteration is an unfair and deceptive business practice. TI is not responsible or liable for such altered documentation. Information of third parties may be subject to additional restrictions.

Resale of TI products or services with statements different from or beyond the parameters stated by TI for that product or service voids all express and any implied warranties for the associated TI product or service and is an unfair and deceptive business practice. TI is not responsible or liable for any such statements.

TI products are not authorized for use in safety-critical applications (such as life support) where a failure of the TI product would reasonably be expected to cause severe personal injury or death, unless officers of the parties have executed an agreement specifically governing such use. Buyers represent that they have all necessary expertise in the safety and regulatory ramifications of their applications, and acknowledge and agree that they are solely responsible for all legal, regulatory and safety-related requirements concerning their products and any use of TI products in such safety-critical applications, notwithstanding any applications-related information or support that may be provided by TI. Further, Buyers must fully indemnify TI and its representatives against any damages arising out of the use of TI products in such safety-critical applications.

TI products are neither designed nor intended for use in military/aerospace applications or environments unless the TI products are specifically designated by TI as military-grade or "enhanced plastic." Only products designated by TI as military-grade meet military specifications. Buyers acknowledge and agree that any such use of TI products which TI has not designated as military-grade is solely at the Buyer's risk, and that they are solely responsible for compliance with all legal and regulatory requirements in connection with such use.

TI products are neither designed nor intended for use in automotive applications or environments unless the specific TI products are designated by TI as compliant with ISO/TS 16949 requirements. Buyers acknowledge and agree that, if they use any non-designated products in automotive applications, TI will not be responsible for any failure to meet such requirements.

Following are URLs where you can obtain information on other Texas Instruments products and application solutions:

Products

Amplifiers	amplifier.ti.com
Data Converters	dataconverter.ti.com
DLP® Products	www.dlp.com
DSP	dsp.ti.com
Clocks and Timers	www.ti.com/clocks
Interface	interface.ti.com
Logic	logic.ti.com
Power Mgmt	power.ti.com
Microcontrollers	microcontroller.ti.com
RFID	www.ti-rfid.com
RF/IF and ZigBee® Solutions	www.ti.com/lprf

Applications

Audio	www.ti.com/audio
Automotive	www.ti.com/automotive
Broadband	www.ti.com/broadband
Digital Control	www.ti.com/digitalcontrol
Medical	www.ti.com/medical
Military	www.ti.com/military
Optical Networking	www.ti.com/opticalnetwork
Security	www.ti.com/security
Telephony	www.ti.com/telephony
Video & Imaging	www.ti.com/video
Wireless	www.ti.com/wireless

Mailing Address: Texas Instruments, Post Office Box 655303, Dallas, Texas 75265
Copyright © 2009, Texas Instruments Incorporated