

TP3406 DASL Digital Adapter for Subscriber Loops

General Description

The TP3406 is a complete monolithic transceiver for data transmission on twisted pair subscriber loops. It is built on National's double poly microCMOS process, and requires only a single +5 Volt supply. Alternate Mark Inversion (AMI) line coding, in which binary '1's are alternately transmitted as a positive pulse then a negative pulse, is used to ensure low error rates in the presence of noise with lower emi radiation than other codes such as Bi-phase (Manchester).

Full-duplex transmission at 144 kb/s is achieved on a single twisted wire pair using a burst-mode technique (Time Compression Multiplexed). Thus the device operates as an ISDN 'U' Interface for short loop applications, typically in a PBX environment, providing transmission for 2 B channels and 1 D channel. On #24 cable, the range is up to 800 meters.

System timing is based on a Master/Slave configuration, with the line card end being the Master which controls loop timing and synchronisation. All timing sequences necessary for loop activation and de-activation are generated on-chip. Selection of Master and Slave mode operation is programmed via the Microwire Control Interface.

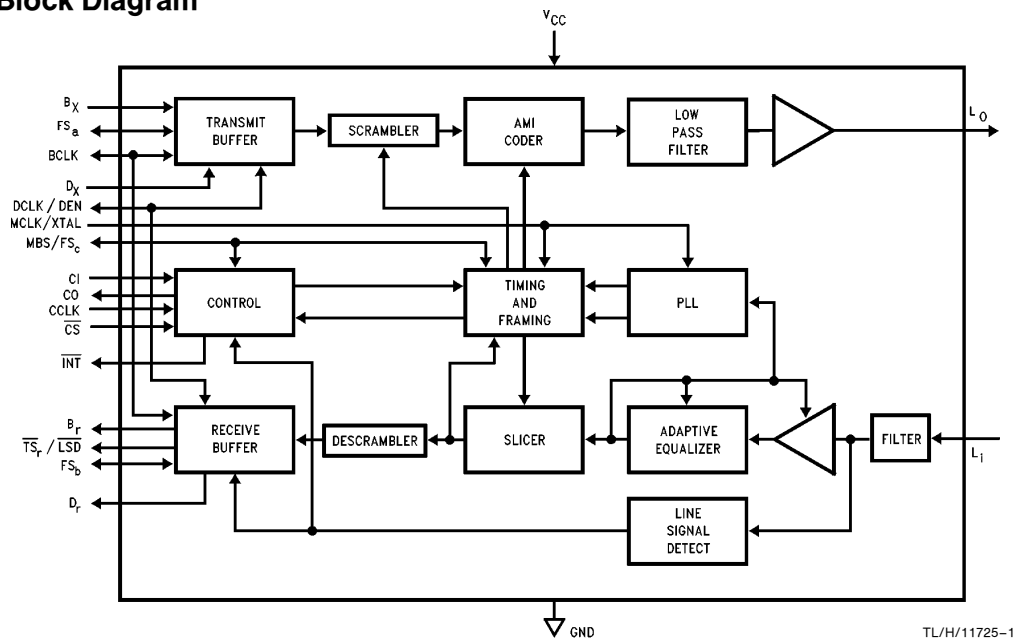
A 2.048 MHz clock, which may be synchronized to the system clock, controls all transmission-related timing functions.

Features

Complete ISDN PBX 2-Wire Data Transceiver including:

- 2 B plus D channel interface for PBX U' Interface
- 144 kb/s full-duplex on 1 twisted pair using Burst Mode
- Loop range up to 800 meters (#24AWG)
- Alternate Mark Inversion coding with transmit filter and scrambler for low emi radiation
- Adaptive line equalizer
- On-chip timing recovery, no external components
- Standard TDM interface for B channels
- Separate interface for D channel
- 2.048 MHz master clock
- Driver for line transformer
- 4 loop-back test modes
- Single +5V supply
- MICROWIRE™ compatible serial control interface
- Applications in:
 - PBX Line Cards
 - Terminals
 - Regenerators
- Available in 28-pin PLCC Package

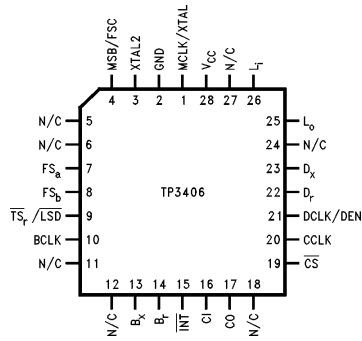
Block Diagram



TRI-STATE® is a registered trademark of National Semiconductor Corporation
MICROWIRE™ is a trademark of National Semiconductor Corporation.

Connection Diagram

TP3406 Package Information



TL/H/11725-2

Order Number TP3406V
See NS Package Number V28A

Pin Descriptions

Name	Description	Name	Description
GND	Negative power supply pin, normally 0V. All analog and digital signals are referred to this pin.		
V _{CC}	Positive power supply input, which must be +5V ± 5%.	FS _b	In Master mode only, this pin is the Receive Frame Sync pulse input, requiring a positive edge to indicate the start of the active channel time of the device for receive B channel data out from B _r ; FS _b must be synchronous with BCLK and MCLK. In Slave mode only, this pin is a digital output pulse which indicates the 8-bit periods of the B2 channel data transfer at both B _x and B _r .
MCLK	The 2.048 MHz Master Clock input, which requires a CMOS logic level clock input from a stable source. Must be synchronous with BCLK.	B _x	Digital input for B1 and B2 channel data to be transmitted to the line; must be synchronous with BCLK.
MCLK/XTAL	This pin is the 2.048 MHz Master Clock input, which requires either a crystal to be connected between this pin and XTAL2 or a CMOS logic level clock from a stable source, which must be synchronous with BCLK.	B _r	Digital output for B1 and B2 channel data received from the line.
XTAL2	This pin is the output side of the oscillator amplifier.	TS _r /LSD	In Master mode only, this pin is an open-drain output which is normally high impedance but pulls low during both B channel active receive time slots. In Slave mode only, this pin is an output which is normally high impedance and pulls low when a valid line signal is received.
MBS/FS _C	In Master Mode, this pin is the Master Burst Sync input, which may be clocked at 4 kHz to synchronize Transmit bursts from a number of devices at the Master end only. The 4 kHz should be nominally a square wave signal. If not used leave this pin open. In Slave mode, this pin is a short Frame Sync output, suitable for driving another DASL in Master Mode to provide a regenerator (i.e. range-extender) capability.	D _x	Digital input for D channel data to be transmitted to the line; must be synchronous with DCLK.
BCLK	Bit Clock logic signal which determines the data shift rate for B channel data on the digital interface side of the device. In Master mode this pin is an input which may be any multiple of 8 kHz from 256 kHz to 2.048 MHz, but must be synchronous with MCLK. In Slave mode this pin is an output at 2.048 MHz.	D _r	Digital output for D channel data received from the line. D _r is a TRI-STATE output.
FS _a	In Master mode only, this pin is the Transmit Frame Sync pulse input, requiring a positive edge to indicate the start of the active channel time for transmit B channel data into B _x ; FS _a must be synchronous with BCLK and MCLK. In Slave mode only, this pin is a digi-	DCLK/DEN	In Master mode this pin is an input for the 16 kHz serial shift clock for D channel data on D _x and D _r , which should be synchronous with BCLK. It may also be re-configured via the Control Register to act as an enable input for clocking the D channel interface synchronized to BCLK. In Slave mode this is a 16 kHz clock output for D channel data.

*Crystal specifications: 2.048 MHz parallel resonant, R_S ≤ 100Ω with a 20 pF load. Crystal tolerance should be ±75 ppm for aging and temperature.

Pin Descriptions (Continued)

Name	Description
CI	MICROWIRE control channel serial data input.
CO	MICROWIRE control channel serial data output.
CCLK	Clock input for the MICROWIRE control channel.
\overline{CS}	Chip Select input which enables the MICROWIRE control channel data to be shifted in and out when pulled low. When high, this pin inhibits the MICROWIRE interface.
\overline{INT}	Interrupt output, a latched output signal which is normally high-impedance and goes low to indicate a change of status of the loop transmission system. This latch is cleared when the Status Register is read by the microprocessor.
L_o	Transmit AMI signal output to the line transformer. This pin is capable of driving a load impedance $\geq 60\Omega$.
L_i	Receive AMI signal input from the line transformer. This is a high impedance input.

Functional Description

POWER-UP/POWER-DOWN CONTROL

Following the initial application of power, the DASL enters the power-down (de-activated) state, in which all the internal circuits are inactive and in a low power state except for the line-signal detect circuit and the necessary bias circuit; the line output L_o is in a low impedance state and all digital outputs are inactive. All bits in the Control Register power-up initially set to '0', so that the device always initializes as the Master end. Thus, at the Slave end, a control word must be written through the MICROWIRE port to select Slave mode. While powered-down, the Line-Signal Detect circuits in both Master and Slave devices continually monitor the line, to enable loop transmission to be initiated from either end.

To power-up the device and initiate activation, bit C6 in the Control Register must be set high. Setting C6 low de-activates the loop and powers-down the device, see Table I.

TABLE I. Master Mode Burst Sync Control (TP3401 Only)

MBS/FS _c Pin I/P at Master	C6 State	Action
Don't Care	0	Powered-down, Line-Signal Detect active
Pull up this pin to +5V through a resistor	1	Powered-up, sending bursts synchronized to FS _a
4 kHz	1	Powered-up, sending bursts synchronized to MBS

LINE TRANSMIT SECTION

Alternate Mark Inversion (AMI) line coding is used on the DASL because of its spectral efficiency and null dc energy content. All transmitted bits, excluding the start bit, are scrambled by a 9-bit scrambler to provide good spectral spreading with a strong timing content. The scrambler feedback polynomial is:

$$x^9 + x^5 + 1.$$

Pulse shaping is obtained by means of a raised cosine switched-capacitor filter, in order to limit rf energy and crosstalk while minimizing inter-symbol interference (isi). *Figure 3* shows the pulse shape at the L_o output, while a template for the typical power spectrum transmitted to the line with random data is shown in *Figure 4*.

The line-driver output, L_o , is designed to drive a transformer through a capacitor and termination resistor. A 1:1 transformer, terminated in 100Ω , results in a signal amplitude of typically 1.3V pk-pk on the line. Over-voltage protection must be included in the interface circuit.

LINE RECEIVE SECTION

The front-end of the receive section consists of a continuous anti-alias filter followed by a switched-capacitor low-pass filter designed to limit the noise bandwidth with minimum intersymbol interference. To correct pulse attenuation and distortion caused by the transmission line an AGC circuit and first-order equalizer adapt to the received pulse shape, thus restoring a "flat" channel response with maximum received eye opening over a wide spread of cable attenuation characteristics.

From the equalized output a DPLL (Digital Phase-Locked Loop) recovers a low-jitter clock for optimum sampling of the received symbols. The MCLK input provides the reference clock for the DPLL at 2.048 MHz. At the Master end of the loop this reference is the network clock (BCLK), which controls all transmit functions; the DPLL clock is used only for received data sampling. At the Slave end, however, a 2.048 MHz crystal is required to generate a stable local oscillator which is used as a reference by the DPLL to run both the receive and transmit sides of the DASL device.

Following detection of the recovered symbols, the received data is de-scrambled by the same $x^9 + x^5 + 1$ polynomial and presented to the digital system interface circuit.

When the device is de-activated, a Line-Signal Detect circuit remains powered-up to detect the presence of incoming bursts if the far-end starts to activate the loop. From a "cold" start, acquisition of bit timing and equalizer convergence with random scrambled data takes approximately 25 ms at each end of the loop. Full loop burst synchronization is achieved approximately 50 ms after the "activate" command at the originating end.

Functional Description (Continued)

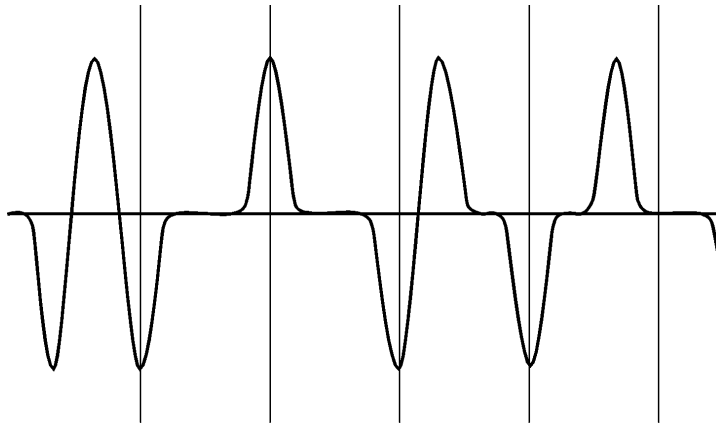


FIGURE 3. Typical AMI Waveform at L_o

TL/H/11725-3

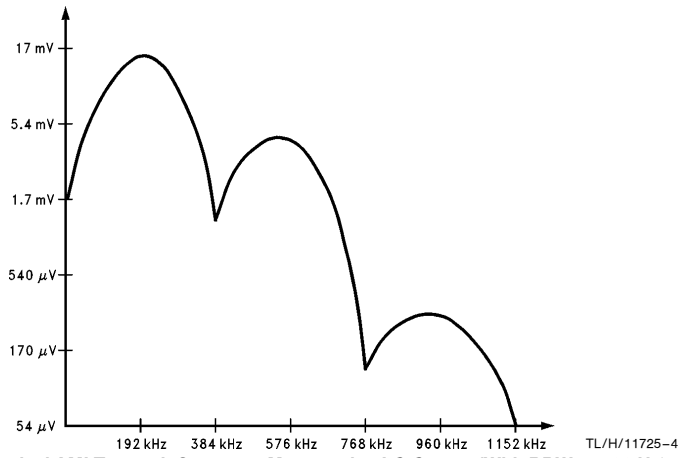


FIGURE 4. Typical AMI Transmit Spectrum Measured at LO Output (With RBW = 100 Hz).

TL/H/11725-4

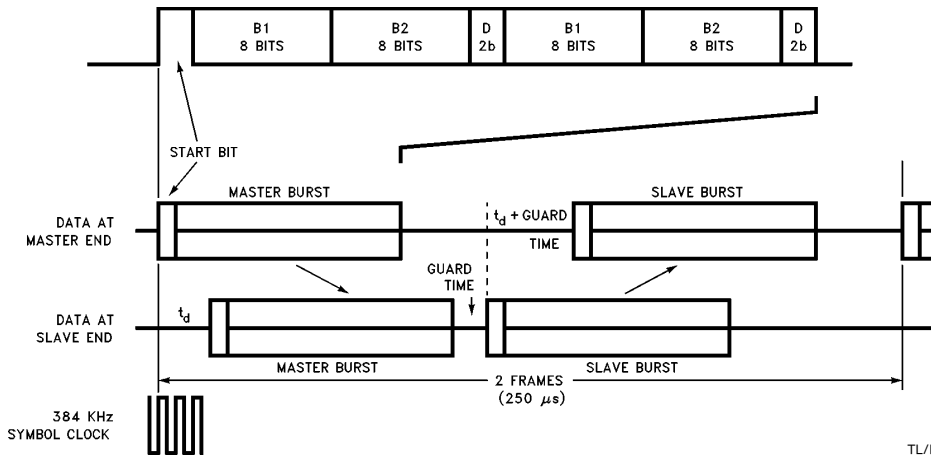


FIGURE 5. Burst Mode Timing on the Line

TL/H/11725-5

Functional Description (Continued)

BURST MODE OPERATION

For full-duplex operation over a single twisted-pair, burst mode timing is used, with the line-card (exchange) end of the link acting as the timing Master.

Each burst from the Master consists of the B1, B2 and D channel data from 2 consecutive frames combined in the format shown in *Figure 5*. During transmit bursts the Master's receiver input is inhibited to avoid disturbing the adaptive circuits. The Slave's receiver is enabled at this time and it synchronizes to the start bit of the burst, which is always an unscrambled '1' (of the opposite polarity to the last '1' sent in the previous burst). When the Slave detects that 36 bits following the start bit have been received, it disables the receiver input, waits 6 line symbol periods to match the other end settling guard time, and then begins to transmit its burst back towards the Master, which by this time has enabled its receiver input. The burst repetition rate is thus 4 kHz, which can either free-run or be locked to a synchronizing signal at the Master end by means of the MBS input (See *Figure 10*). In the latter case, with all Master-end transmitters in a system synchronized together, near-end crosstalk between pairs in the same cable binder may be eliminated, with a consequent increase in signal-to-noise ratio (SNR).

ACTIVATION AND LOOP SYNCHRONIZATION

Activation (i.e. power-up and loop synchronization) is typically completed in 50 ms and may be initiated from either end of the loop. If the Master is activating the loop, it sends normal bursts of scrambled '1's, which are detected by the Slave's line-signal detect circuit, causing it to set $C0 = 1$ in the Status Register, and pull the \overline{INT} pin low. Pin 6, the \overline{LSD} pin, also pulls low. To proceed with Activation, the device must be powered up by writing to the Control Register with $C6 = 1$. The Slave then replies with bursts of scrambled '1's synchronized to received bursts, and the flywheel circuit at each end searches for 4 consecutive correctly formatted receive bursts to acquire full loop synchronization. Each receiver indicates when it is correctly in sync with received bursts by setting the C1 bit in the Status Register high and pulling \overline{INT} low.

To activate the loop from the Slave end, bit C6 in the Control Register must be set high, which will power-up the device and begin transmission of alternate bursts i.e., the burst repetition rate is 2 kHz, not 4 kHz. At this point the Slave is running from its local oscillator and is not receiving any sync information from the Master. When the Master's line-signal detect circuit recognizes this "wake-up" signal, the Master is activated and begins to transmit bursts, synchronized, as normal, to the MBS or FS_a input with a 4 kHz repetition rate. This enables the Slave's receiver to correctly identify burst timing from the Master and to re-synchronize its own burst transmissions to those it receives. The flywheel circuits then acquire full loop sync as described earlier.

Loop synchronization is considered to be lost if the flywheel finds 4 consecutive receive burst "windows" (i.e. where a receive burst should have arrived based on timing from previous bursts) do not contain valid bursts. At this point bit C1 in the Status Register is set low, the \overline{INT} output is set low and the receiver searches to re-acquire loop sync.

DIGITAL SYSTEM INTERFACE

The digital system interface on the DASL separates B and D channel information onto different pins to provide maximum

flexibility. On the B channel interface, phase skew between transmit and receive directions may be accommodated at the Master end since separate frame sync inputs, FS_a and FS_b , are provided. Each of these synchronizes a counter which gates the transfer of B1 and B2 channels in consecutive time-slots across the digital interface; since the counters are edge-synchronized the duration of the FS input signals may vary from a single-bit pulse to a square-wave. The serial shift rate is determined by the BCLK input, and may be any frequency from 256 kHz to 2.048 MHz, as shown in *Figure 6*.

At the Slave end, both FS_a and FS_b are outputs. FS_a goes high for 8 cycles of BCLK coincident with the 8 bits of the B1 channel in both Transmit and Receive directions. FS_b goes high for the next 8 cycles of BCLK, which are coincident with the 8 bits of the B2 channel in both Transmit and Receive directions. BCLK is also an output at 2.048 MHz, the serial data shift rate, as shown in *Figure 7*. Data may be exchanged between the B1 and B2 channels as it passes through the device, by setting Control bit $C0 = 1$. An additional Frame Sync output, FS_c , is provided to enable a regenerator to be built by connecting a DASL in Slave Mode to a DASL in Master Mode. The FS_c output from the Slave directly drives the FS_a and FS_b inputs on the Master.

D channel information, being packet-mode, requires no synchronizing input. This interface consists of the transmit data input, D_x , receive data output, D_r , and 16 kHz serial shift clock DCLK, which is an input at the Master end and an output at the Slave end. Data shifts into D_x on falling edges of DCLK and out from D_r on rising edges, as shown in *Figure 11*. DCLK should be Synchronous with BCLK.

An alternative function of the DCLK/DEN pin allows D_x and D_r to be clocked at the same rate as BCLK at the Master end only. By setting bit C1 in the Control Register to a 1, DCLK/DEN becomes an input for an enabling pulse to gate 2 cycles of BCLK for shifting the 2 D bits per frame. Thus, at the Master end, the D channel bits can be interfaced to a TDM bus and assigned to a time-slot (the same time-slot for both transmit and receive), as shown in *Figure 12*.

CONTROL INTERFACE

A serial interface, which can be clocked independently from the B and D channel system interfaces, is provided for microprocessor control of various functions on the DASL device. All data transfers consist of a single byte shifted into the Control Register via CI simultaneous with a single byte shifted out from the Status Register via CO, see *Figure 13*. Data shifts in to CI on rising edges of CCLK and out from CO on falling edges when \overline{CS} is pulled low for 8 cycles of CCLK. An Interrupt output, \overline{INT} goes low to alert the microprocessor whenever a change in one of the status bits, C1 and/or C0 has occurred. This latched output is cleared high following the first CCLK pulse when \overline{CS} is low. No interrupt is generated when status bit C2 (bipolar violation) goes high, however. This bit is set whenever 1 or more violations of the AMI coding rule is received, and cleared everytime the \overline{CS} is pulsed. Statistics on the line bit error rate can be accumulated by regularly polling this bit.

When reading the CO pin, data is always clocked into the Control Register; therefore the CI data word should repeat the previous instruction if no change to the device mode is intended.

Figure 13 shows the timing for this interface, and Table II lists the control functions and status indicators.

Functional Description (Continued)

TABLE II. Control and Status Register Functions

Bit	State	Control Register Function	Status Register Function
C7	0	Master Mode	Read Back C7 from Control Register
	1	Slave Mode	Read Back C7 from Control Register
C6	0	Deactivate and Power Down	Read Back C6 from Control Register
	1	Power Up and Activate	Read Back C6 from Control Register
C5	0	Normal Through Connection	Read Back C5 from Control Register
	1	Loopback to Digital Interface	Read Back C5 from Control Register
C4	0	Normal Through Connection	Read Back C4 from Control Register
	1	Loopback B1 + B2 + D to Line (Note 1)	Read Back C4 from Control Register
C3	0	Normal Through Connection	Read Back C3 from Control Register
	1	Loopback B1 Only to Line (Note 1)	Read Back C3 from Control Register
C2	0	Normal Through Connection	No Error
	1	Loopback B2 Only to Line (Note 1)	Bipolar Violation Since Last READ (Note 2)
C1	0	DCLK/DEN pin = 16 kHz Clock	Out-Of-Sync
	1	DCLK/DEN pin = D Channel Enable (Note 3)	Loop In-Sync and Activation Complete
C0	0	B1/B2 Channels Direct	No Line Signal at Receiver Input
	1	B1/B2 Channels Exchanged	Line Signal Present at Receiver Input

Note 1: Receive data active.

Note 2: After the device is in sync.

Note 3: In Master mode only.

Note 4: C7 is the first bit clocked in and out of the device.

Timing Diagrams

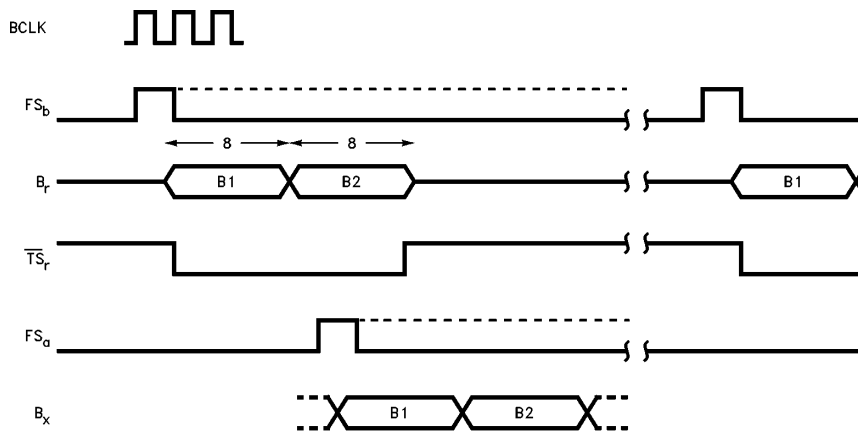


FIGURE 6. B Channel Interface Timing: Master Mode

TL/H/11725-6

Timing Diagrams (Continued)

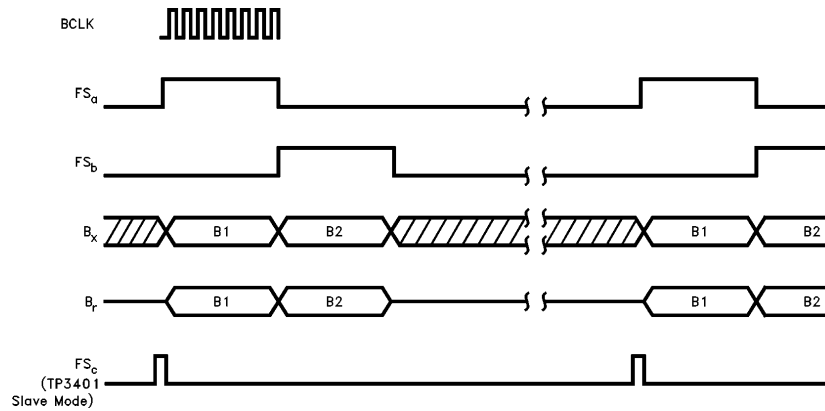


FIGURE 7. B Channel Interface Timing: Slave Mode

TL/H/11725-7

Typical Applications

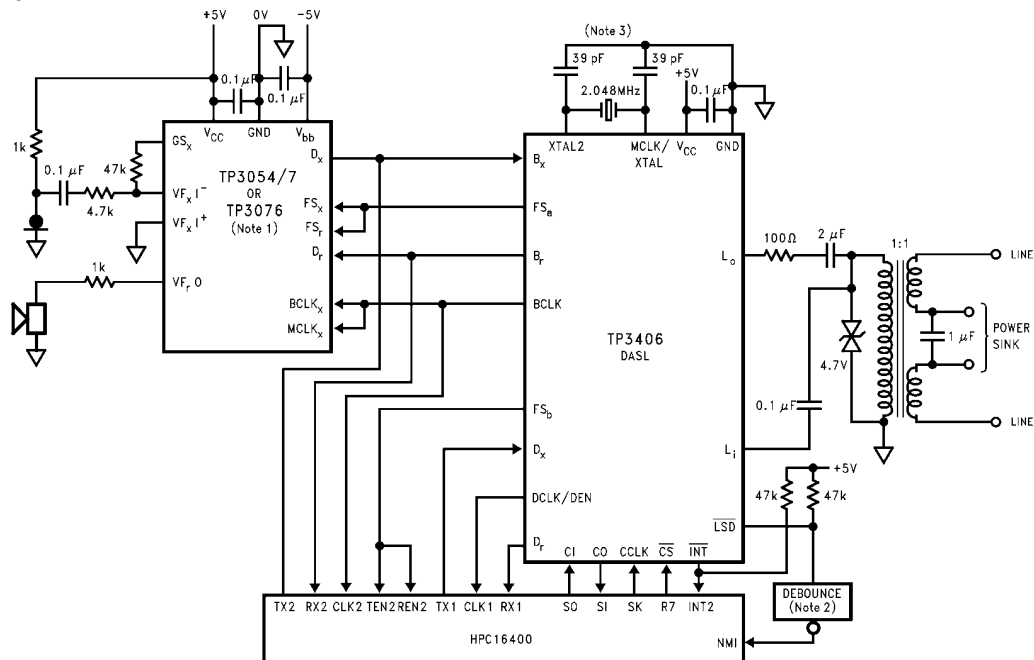


FIGURE 8. Typical Application for Slave End

TL/H/11725-8

Note 1: The TP3076 Programmable Combos also must be connected to the MICROWIRE interface.

Note 2: Only necessary if a mechanical Hookswitch is connected to the NMI input of the HPC.

Note 3: Crystal load capacitors include board and trace capacitance. Oscillator frequency can be checked by measuring the BCLK output frequency when slave mode part is in digital loopback.

Typical Applications (Continued)

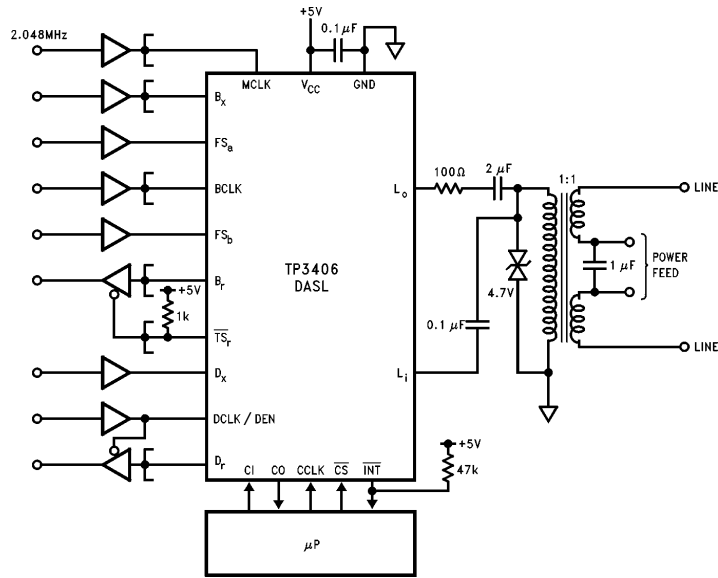


FIGURE 9. Typical Application for Master End

TL/H/11725-9

Timing Diagrams (Continued)

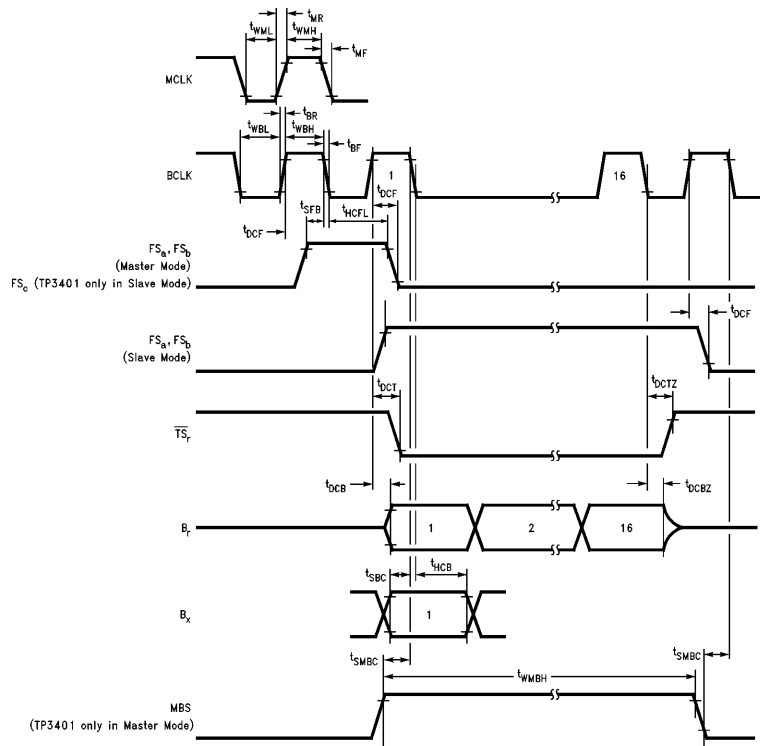


FIGURE 10. B Channel Interface Timing Details

TL/H/11725-10

Timing Diagrams (Continued)

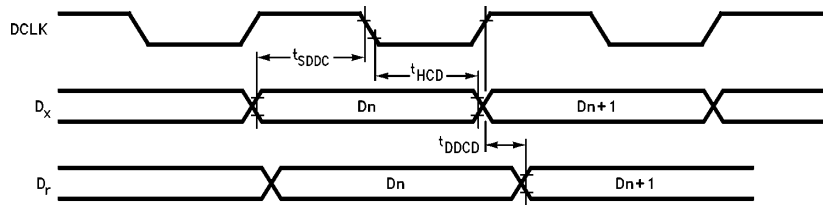
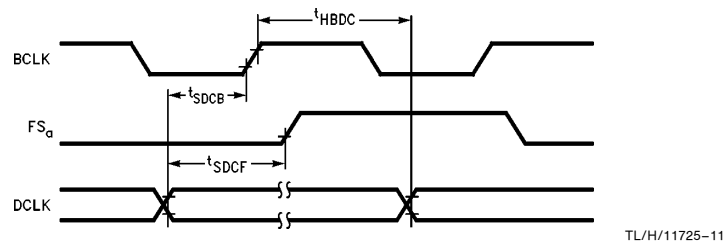


FIGURE 11. D Channel Interface Timing (Master and Slave Modes, C1 = 0)

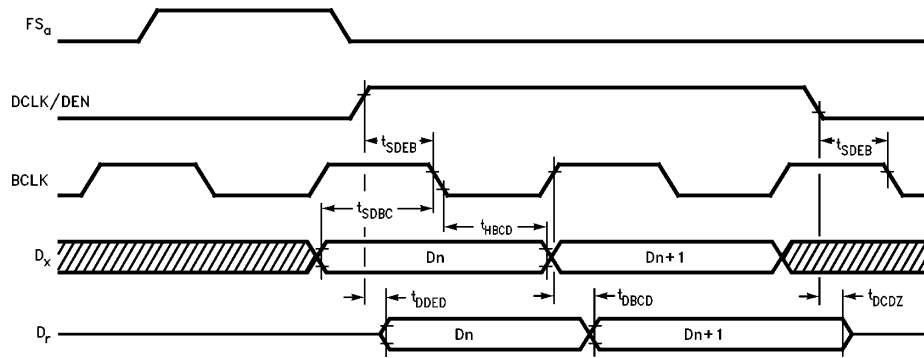
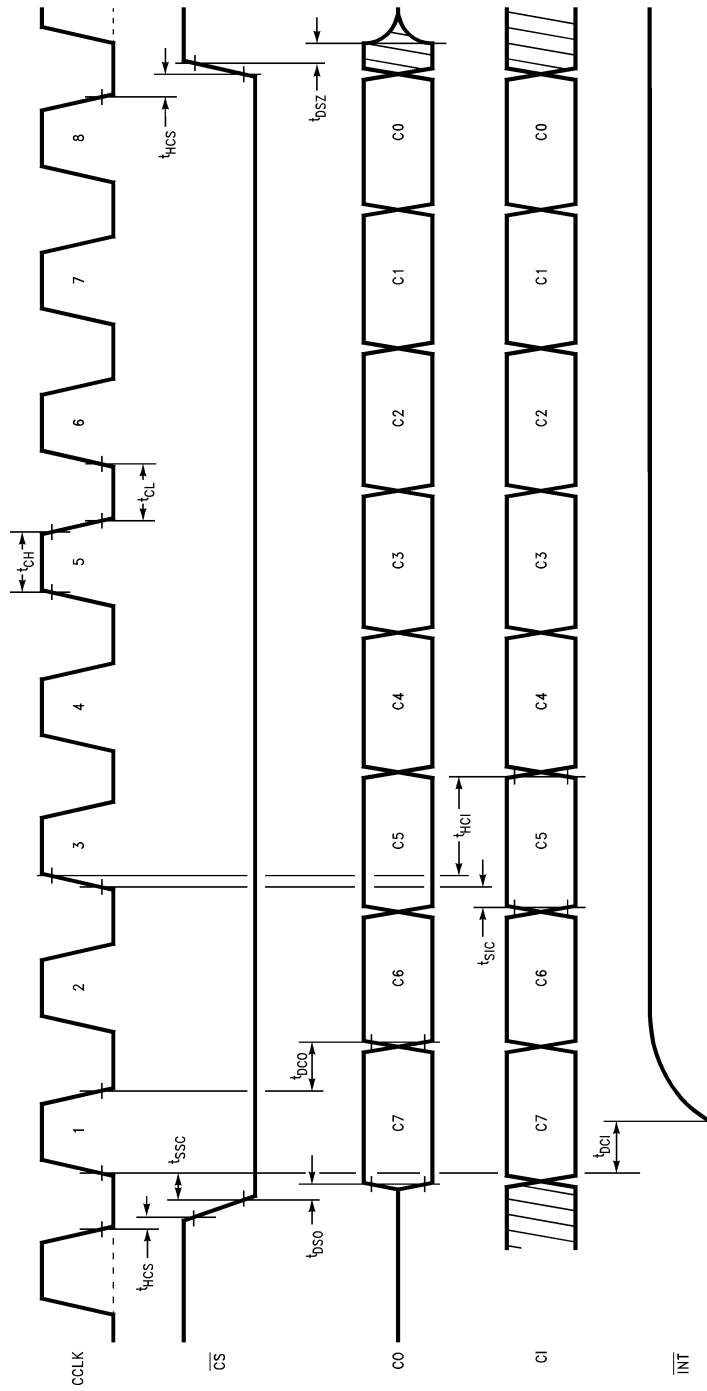


FIGURE 12. D Channel Interface Timing (Master Mode only, C1 = 1)

Timing Diagrams (Continued)



TL/H/11725-14

FIGURE 13. Control Interface Timing

Absolute Maximum Ratings

If Military/Aerospace specified devices are required, please contact the National Semiconductor Sales Office/Distributors for availability and specifications.

V_{CC} to GND	7V
Voltage at L_i , L_o	$V_{CC} + 1V$ to $V_{SS} - 1V$
Voltage at any Digital Input	$V_{CC} + 1V$ to $V_{SS} - 1V$

Storage Temperature Range	-65°C to $+150^{\circ}\text{C}$
Current at L_o	± 100 mA
Current at any Digital Output	± 50 mA
Lead Temperature (Soldering, 10 sec.)	300°C
ESD (Human Body Model)	2000V

Electrical Characteristics

Unless otherwise noted, limits printed in **bold** characters are guaranteed for $V_{CC} = 5.0V \pm 5\%$ and $T_A = 0^{\circ}\text{C}$ to $+70^{\circ}\text{C}$ by correlation with 100% electrical testing at $V_{CC} = 5.0V$ and $T_A = 25^{\circ}\text{C}$. All other limits are assured by correlation with other production tests and/or product design and characterization. Typical characteristics are specified at $V_{CC} = 5.0V$ and $T_A = 25^{\circ}\text{C}$. All digital signals are referenced to GND.

Symbol	Parameter	Conditions	Min	Typ	Max	Units
DIGITAL INTERFACES						
V_{IL}	Input Low Voltage	All Digital Inputs (not MCLK)			0.7	V
V_{IH}	Input High Voltage	All Digital Inputs (not MCLK)	2.2			V
V_{OL}	Output Low Voltage	$I_L = 1$ mA			0.4	V
V_{OH}	Output High Voltage	$I_L = -1$ mA	2.4			V
I_{IM}	Input Current at MBS/ FS_c	$GND < V_{IN} < V_{CC}$	-600		10	μA
I_I	Input Current	Any Other Digital Input, $GND < V_{IN} < V_{CC}$	-10		10	μA
I_{OZ}	Output Current in High Impedance State (TRI-STATE®)	$B_r, \overline{INT}, \overline{TS_r}, CO, D_r$ $GND < V_{OUT} < V_{CC}$	-10		10	μA
LINE INTERFACES						
R_{Li}	Input Resistance	$0V < L_i < 5.0V$	50			k Ω
CL_{Lo}	Load Capacitance	CL_{Lo} from L_o to GND.			100	pF
RO	Output Resistance at L_o	Load = 60Ω in Series with $2 \mu\text{F}$ to GND			3.0	Ω
V_{DC}	Mean d.c. Voltage at L_o	Load = 60Ω in Series with $2 \mu\text{F}$ to GND		2.0		V
POWER DISSIPATION						
I_{CC0}	Power Down Current			1.3	2.5	mA
I_{CC1}	Power Up Current (Activated)	Load at $L_o = 200\Omega$ in Series with $2 \mu\text{F}$ to GND (in Master Mode)			20	mA
TRANSMISSION PERFORMANCE						
	Transmit Pulse Amplitude at L_o	$R_L = 200\Omega$ in Series with $2 \mu\text{F}$ to GND		± 1.1		Vpk
	Input Pulse Amplitude at L_i		± 250			mVpk
	Timing Recovery Jitter	BCLK at Slave Relative to MCLK at Master		100		ns pk-pk

Timing Characteristics

Unless otherwise noted: $V_{CC} = +5V \pm 5\%$, $T_A = 0^\circ C$ to $70^\circ C$. Typical characteristics are specified at $V_{CC} = 5V$, $T_A = 25^\circ C$. All signals are referenced to GND.

Symbol	Parameter	Conditions	Min	Typ	Max	Units
MASTER CLOCK INPUT SPECIFICATIONS						
F _{MCK}	Master Clock Frequency			2.048		MHz
	Master Clock Tolerance	Measured Relative to the Slave MCLK	-100		+100	ppm
	Master Clock Input Jitter	2.048 MHz Input, 18 kHz < f < 200 kHz			200	ns pk-pk
t _{WMH} , t _{WML}	Clock Pulse Width Hi & Low for MCLK	V _{IH} = V _{CC} - 0.5V V _{IL} = 0.5V	190			ns
t _{MR} , t _{MF}	Rise and Fall Time of MCLK	Used as a Logic Input			15	ns
B CHANNEL INTERFACE (Figure 10)						
F _{BCK}	Bit Clock Frequency	Master Mode Only		2.048		MHz
t _{WBH} , t _{WBL}	Clock Pulse Width Hi & Low for BCLK	V _{IH} = 2.2V V _{IL} = 0.7V	190			ns
t _{BR} , t _{BF}	Rise and Fall Time of BCLK	Master Mode requirement for BCLK Source			15	ns
t _{SFB}	Set-Up Time, FS _a and FS _b to BCLK Low	Master Mode Only	70			ns
t _{HCFL}	Hold Time, BCLK Low to FS _a and FS _b Low	Master Mode Only	100			ns
t _{WBH} , t _{WBL}	Output Pulse Width High and Low for BCLK	Slave Mode Only Load = 2 LSTTL Inputs Plus 50 pF	195			ns
t _{DCF}	Delay Time, BCLK High to FS _a , FS _b and FS _c Transitions	Slave Mode Only Load = 2 LSTTL Inputs Plus 50 pF			115	ns
t _{SBC}	Set Up Time, B _x Valid to BCLK Low		30			ns
t _{HCB}	Hold Time, BCLK Low to B _x Invalid		50			ns
t _{DCB}	Delay Time, BCLK High to B _r Valid	Load = 2 LSTTL Inputs Plus 100 pF			160	ns
t _{DCBZ}	Delay Time, BCLK Low to B _r High-Impedance	Slave Mode Only	60		220	ns
t _{DCT}	Delay Time, BCLK High to \overline{TS}_r Low	Load = 2 LSTTL Inputs Plus 100 pF			180	ns
t _{DCTZ}	Delay Time, BCLK Low to \overline{TS}_r High-Impedance		60		185	ns
t _{SMBC}	Set-Up Time, MBS to BCLK Low (Note 1)	Master Mode Only	60			ns
t _{WMBH}	Width of MBS Input High	Master Mode Only		125		μs

Note 1: MBS transitions may occur anywhere in the Frame, and require no specific relationship to FS_a or FS_b.

Timing Characteristics (Continued)

Unless otherwise noted: $V_{CC} = +5V \pm 5\%$, $T_A = 0^\circ C$ to $70^\circ C$. Typical characteristics are specified at $V_{CC} = 5V$, $T_A = 25^\circ C$. All signals are referenced to GND.

Symbol	Parameter	Conditions	Min	Max	Units
D CHANNEL INTERFACE (Figure 11 & 12)					
t_{SDDC}	Set-Up Time, D_X Valid to DCLK Low		100		ns
t_{HCD}	Hold Time, DCLK Low to D_X Invalid		100		ns
t_{DDCD}	Delay Time, DCLK High to D_r Data Valid	Load = 100 pF + 2 LSTTL Inputs		220	ns
t_{SDCB}	Set-Up Time, DCLK Transitions to BCLK High	Master Mode Only	50		ns
t_{HBDC}	Hold Time, BCLK High to DCLK Transitions	Master Mode Only	50		ns
t_{SDCF}	Set-Up Time, DCLK Transitions to FS_a High	Master Mode Only	70		ns
t_{DDED}	Delay Time, DEN High to D_r Valid	Load = 100 pF + 2 LSTTL Inputs		200	ns
t_{SDEB}	Set-Up Time, DEN to BCLK Low		100		ns
t_{SDBC}	Set-Up Time, D_x to BCLK Low		50		ns
t_{HBDCD}	Hold Time, BCLK Low to D_x Invalid		50		ns
t_{DBCD}	Delay Time, BCLK High to D_r Valid	Load = 100 pF + 2 LSTTL Inputs		190	ns
t_{DCDZ}	Delay Time, DEN Low to D_r High Impedance			140	ns
CONTROL INTERFACE (Figure 13)					
t_{CH}	CCLK High Duration		250		ns
t_{CL}	CCLK Low Duration		250		ns
t_{SIC}	Setup Time, CI Valid to CCLK High		100		ns
t_{HCI}	Hold Time, CCLK High to CI Invalid		0		ns
t_{SSC}	Setup Time from \overline{CS} Low to CCLK High		200		ns
t_{HCS}	Hold Time from CCLK Low to \overline{CS}		10		ns
t_{DCO}	Delay Time from CCLK Low to $C0$ Data Valid	Load = 100 pF + 2 LSTTL Inputs		150	ns
t_{DSO}	Delay Time from \overline{CS} Low to CO Valid	1st Bit Only		100	ns
t_{DSZ}	Delay Time from \overline{CS} High to CO High Impedance			100	ns
t_{DCI}	Delay Time from CCLK1 High to INT High Impedance			120	ns

Definitions and Timing Conventions

DEFINITIONS

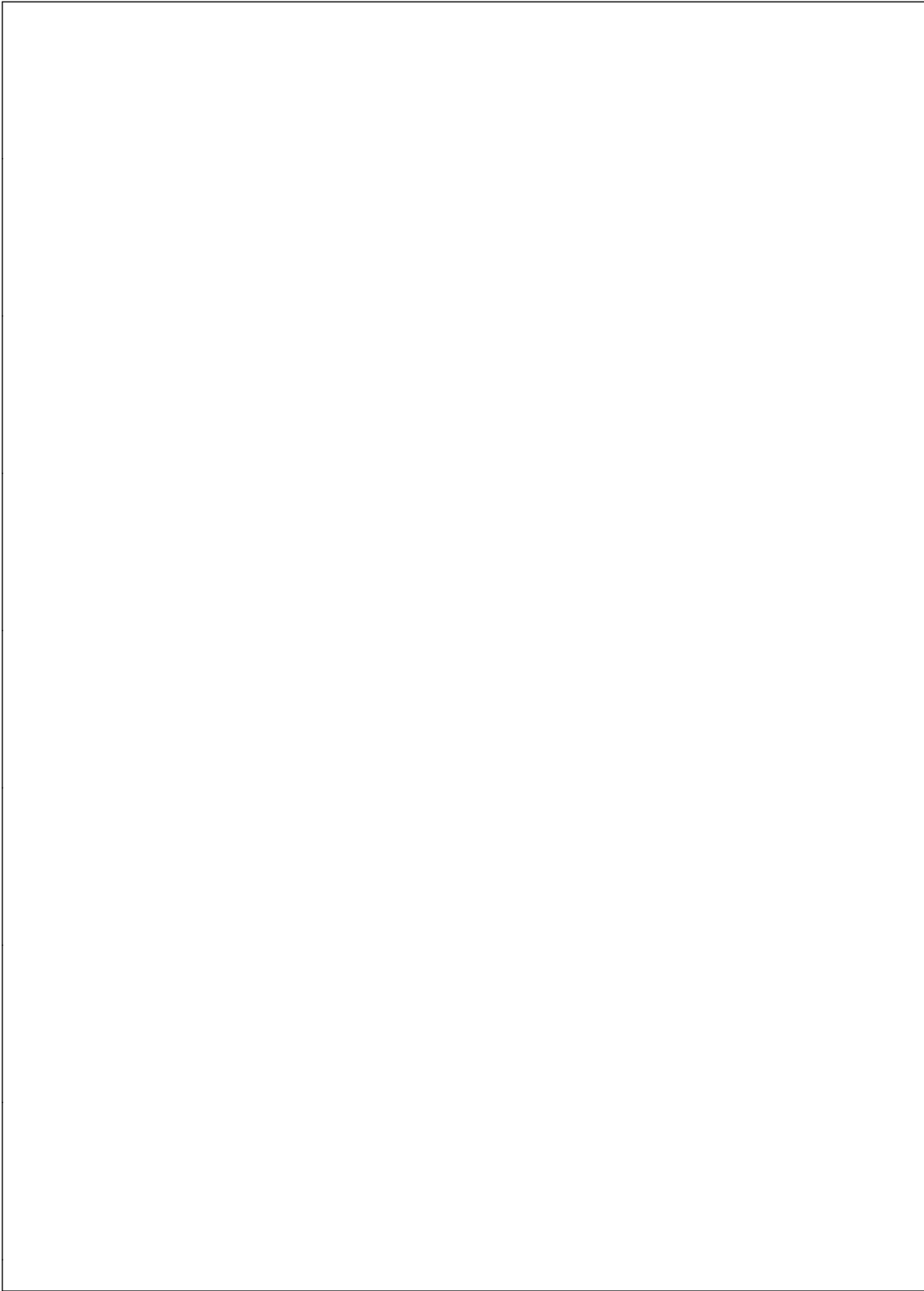
V_{IH}	V_{IH} is the d.c. input level above which an input level is guaranteed to appear as a logical one. This parameter is to be measured by performing a functional test at reduced clock speeds and nominal timing, (i.e. not minimum setup and hold times or output strobes), with the high level of all driving signals set to V_{IH} and maximum supply voltages applied to the device.
V_{IL}	V_{IL} is the d.c. input level below which an input level is guaranteed to appear as a logical zero to the device. This parameter is measured in the same manner as V_{IH} but with all driving signal low levels set to V_{IL} and minimum supply voltages applied to the device.
V_{OH}	V_{OH} is the minimum d.c. output level to which an output placed in a logical one state will converge when loaded at the maximum specified load current.
V_{OL}	V_{OL} is the maximum d.c. output level to which an output placed in a logical zero state will converge when loaded at the maximum specified load current.
Threshold Region	The threshold region is the range of input voltages between V_{IL} and V_{IH} .
Valid Signal	A signal is Valid if it is in one of the valid logic states, (i.e. above V_{IH} or below V_{IL}). In timing specifications, a signal is deemed valid at the instant it enters a valid state.
Invalid Signal	A signal is Invalid if it is not in a valid logic state, i.e. when it is in the threshold region between V_{IL} and V_{IH} . In timing specifications, a signal is deemed invalid at the instant it enters the threshold region.

TIMING CONVENTIONS

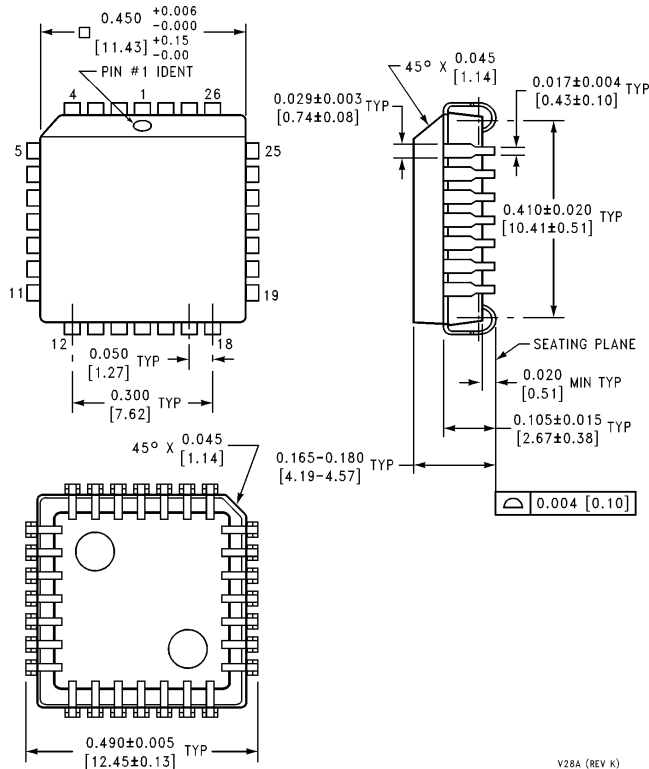
For the purpose of this timing specification the following conventions apply:

Input Signals	All input signals may be characterized as: $V_L = 0.4V$, $V_{IH} = 2.4V$, $t_R < 10$ ns, $t_F < 10$ ns.
Period	The period of clock signal is designated at t_{Pxx} where xx represents the mnemonic of the clock signal being specified.

Rise Time	Rise times are designated at t_{Ryy} , where yy represents a mnemonic of the signal whose rise time is being specified. t_{Ryy} is measured from V_{IL} to V_{IH} .
Fall Time	Fall times are designated as t_{Fyy} , where yy represents a mnemonic of the signal whose fall time is being specified. t_{Fyy} is measured from V_{IH} to V_{IL} .
Pulse Width High	The high width is designated as t_{WzzH} , where zz represents the mnemonic of the input or output signal whose pulse width is being specified. High pulse widths are measured from V_{IH} to V_{IH} .
Pulse Width Low	The low pulse width is designed as t_{WzzL} , where zz represents the mnemonic of the input or output signal whose pulse width is being specified. Low pulse widths are measured from V_{IL} to V_{IL} .
Setup Time	Setup times are designated as t_{Swwxx} , where ww represents the mnemonic of the input signal whose setup time is being specified relative to a clock or strobe input represented by mnemonic xx. Setup times are measured from the ww Valid to xx Invalid.
Hold Time	Hold times are designated as t_{Hxxww} , where ww represents the mnemonic of the input signal whose hold time is being specified relative to a clock or strobe input represented by mnemonic xx. Hold times are measured from xx Valid to ww invalid.
Delay Time	Delay times are designated as t_{Dxxyy} [H L], where xx represents the mnemonic of the input reference signal and yy represents the mnemonic of the output signal whose timing is being specified relative to xx. The mnemonic may optionally be terminated by an H or L to specify the high going or low going transition of the output signal. Maximum delay times are measured from xx Valid to yy Valid. Minimum delay times are measured from xx Valid to yy invalid. This parameter is tested under the load conditions specified in the Conditions column of the Timing Specification section of this data sheet.



Physical Dimensions inches (millimeters)



**Plastic Chip Carrier (V)
Order Number TP3406V
NS Package Number V28A**

V28A (REV K)

LIFE SUPPORT POLICY

NATIONAL'S PRODUCTS ARE NOT AUTHORIZED FOR USE AS CRITICAL COMPONENTS IN LIFE SUPPORT DEVICES OR SYSTEMS WITHOUT THE EXPRESS WRITTEN APPROVAL OF THE PRESIDENT OF NATIONAL SEMICONDUCTOR CORPORATION. As used herein:

1. Life support devices or systems are devices or systems which, (a) are intended for surgical implant into the body, or (b) support or sustain life, and whose failure to perform, when properly used in accordance with instructions for use provided in the labeling, can be reasonably expected to result in a significant injury to the user.
2. A critical component is any component of a life support device or system whose failure to perform can be reasonably expected to cause the failure of the life support device or system, or to affect its safety or effectiveness.



National Semiconductor Corporation
1111 West Bardin Road
Arlington, TX 76017
Tel: 1(800) 272-9959
Fax: 1(800) 737-7018

National Semiconductor Europe
Fax: (+49) 0-180-530 85 86
Email: cnjwge@tevm2.nsc.com
Deutsch Tel: (+49) 0-180-530 85 85
English Tel: (+49) 0-180-532 78 32
Français Tel: (+49) 0-180-532 93 58
Italiano Tel: (+49) 0-180-534 16 80

National Semiconductor Hong Kong Ltd.
19th Floor, Straight Block,
Ocean Centre, 5 Canton Rd.
Tsimshatsui, Kowloon
Hong Kong
Tel: (852) 2737-1600
Fax: (852) 2736-9960

National Semiconductor Japan Ltd.
Tel: 81-043-299-2309
Fax: 81-043-299-2408

National does not assume any responsibility for use of any circuitry described, no circuit patent licenses are implied and National reserves the right at any time without notice to change said circuitry and specifications.