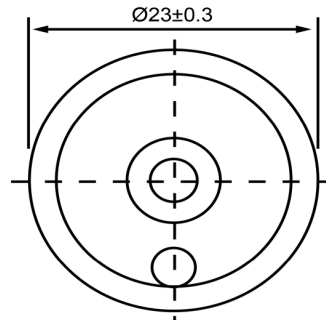
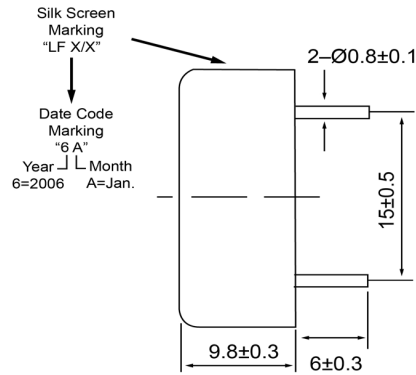



TOP VIEW



SIDE VIEW



Specifications			Notes	Revision History					
Description	Value	Unit		Version	Description	Date	Approved		
Technology	Piezo		1) All dimensions are in mm unless otherwise noted 2) All parts meet RoHS	1	Released from Engineering	10/21/2013	J.S		
Resonant Frequency	4,800	(Hz)							
Rated Voltage	12	(V)							
SPL @ 10cm	85	(dBA)							
Capacitance	15,000	(pF)							
Mount Type	Thru-hole								
Voltage Range	1 ~ 40	(V)							
Max Rated Current	7	(mA)							
Housing Material	PBT								
Operating Temperature	-20 ~ +60	°C							
Storage Temperature	-20 ~ +60	°C							
Weight	3.5	(g)							
 DB UNLIMITED			Piezo Transducer			TP234812-1			
									Drawn by A.B.

Additional considerations can be found at www.dbunlimitedco.com/technical-articles.