

Part Number:TOP075

1.91mm[0.075inch] test pitch

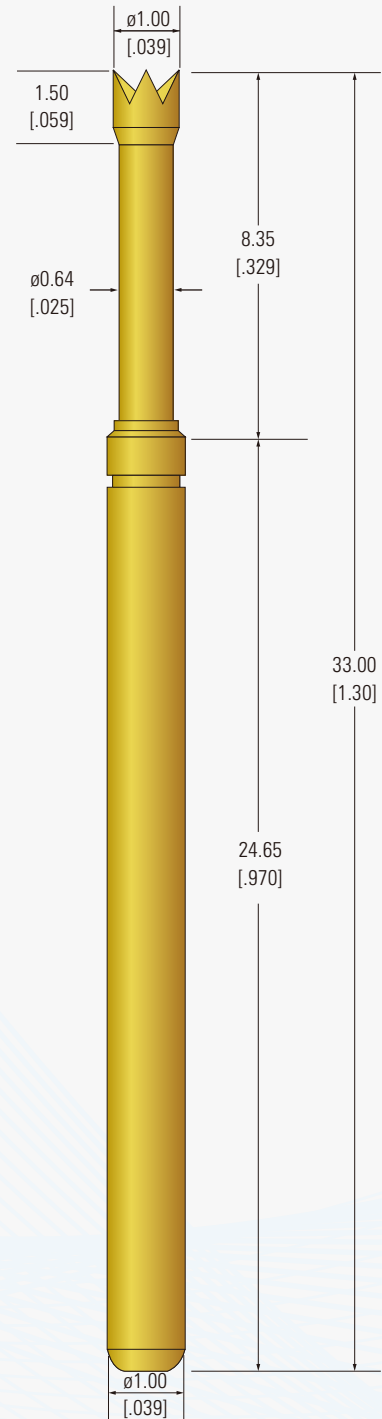
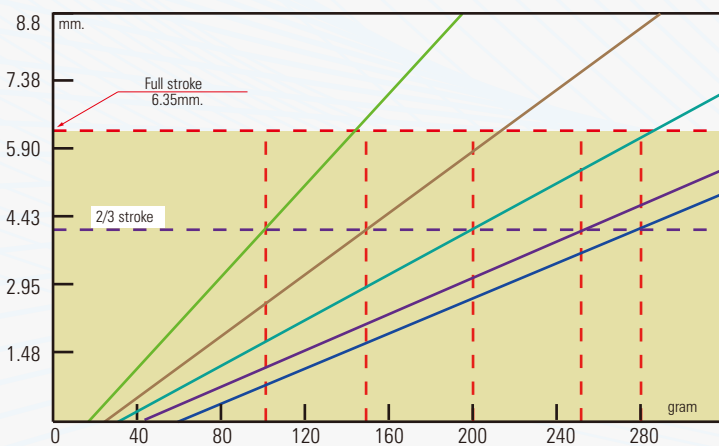
Probe Specifications

Minimum Center:	1.91mm[0.075inch]
Full Stroke:	6.35mm[0.250inch]
Recommended Stroke:	4.25mm[0.167inch]
Spring Force:	200g[7.054oz]
Impedance:	20milliohms
Current:	3Amp
Temperature:	-55°C to 120°C [-67°F to 248°F]
Spring Life:	1000K cycles
Diameter Tolerance:	±0.01mm[±0.39mil]
Length Tolerance:	±0.10mm[±3.93mil]
Straightness Tolerance:	0.05mm[±1.97mil]

Materials Specifications

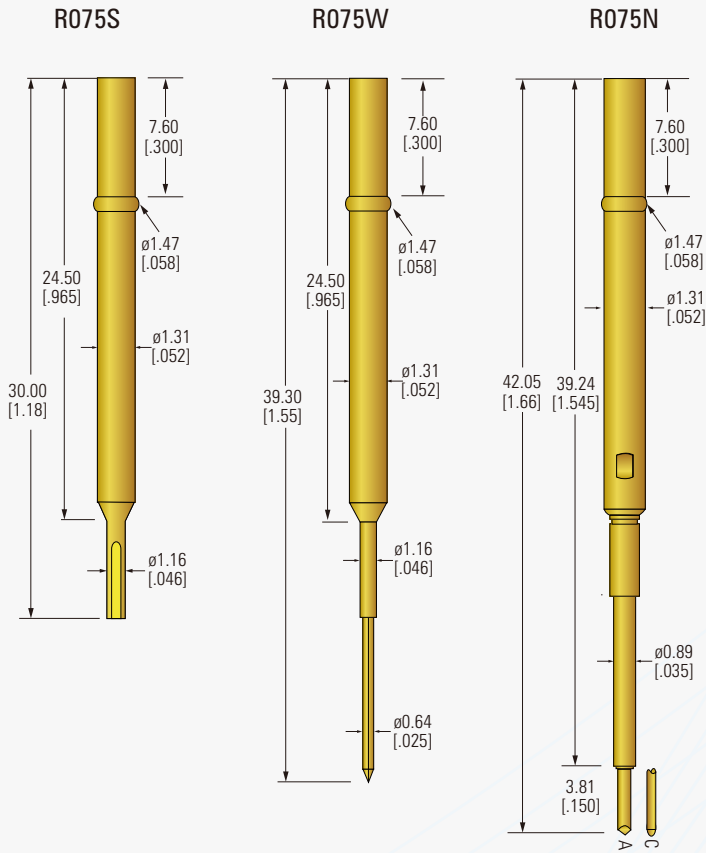
Plunger:	SK-4, BeCu, Au plating treatment
Spring:	Music wire, Au plating treatment
Barrel:	Phosphor Copper, Au plating treatment

Spring Force

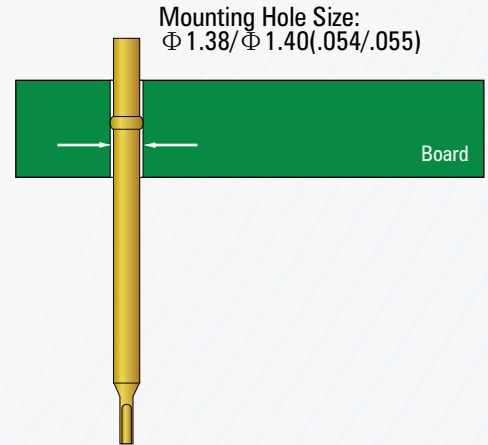


Probe mm.[inch]

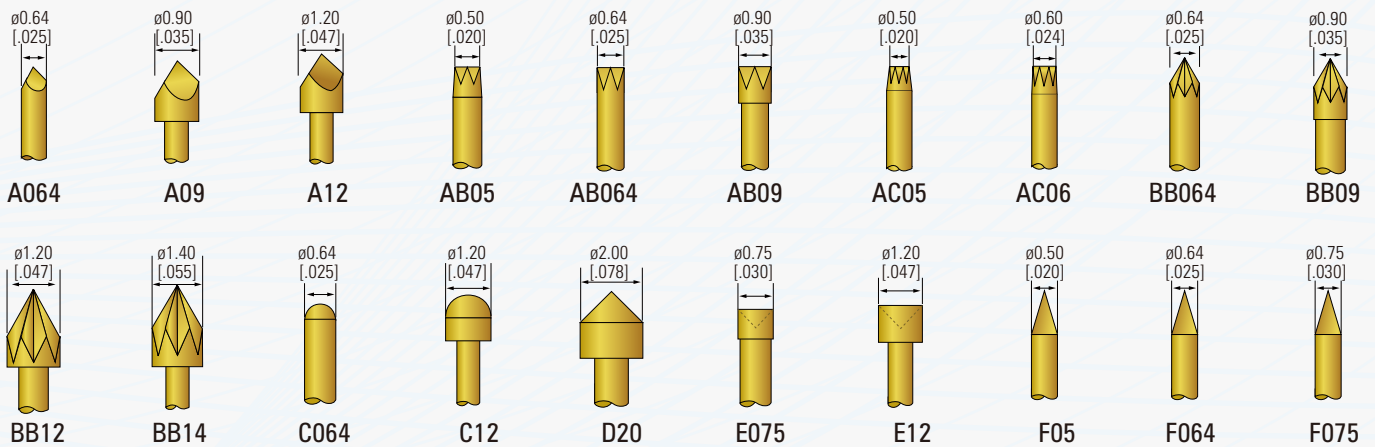
Receptacle mm.[inch]



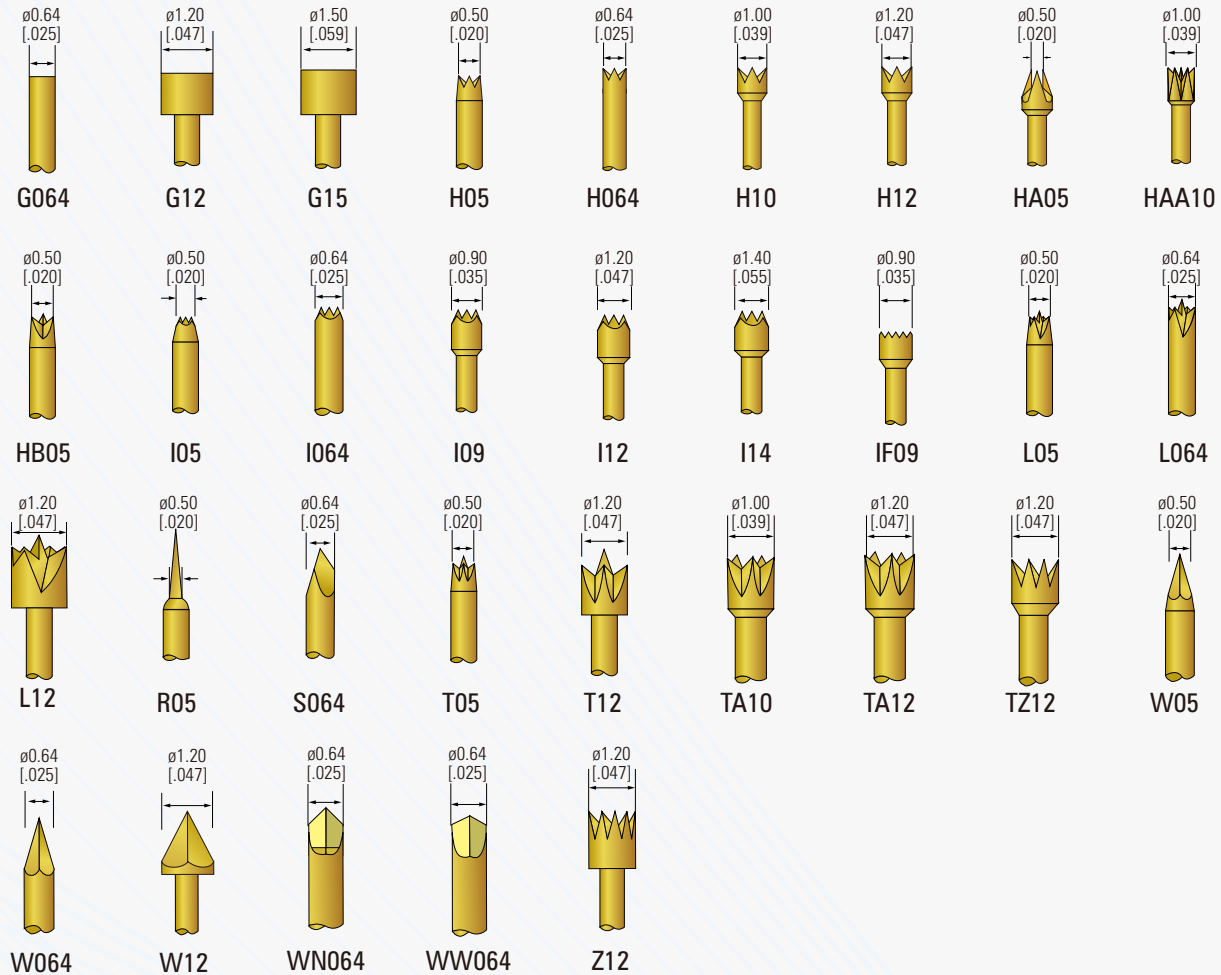
Fixture Drilling Measurement



Tip Style



Tip Style



How to order

TOP	075	H	10	200G
Series Name TOP=Normal ICT Probe CTOP=High Current Probe BP=Battery Probe FTOP=Frequency Probe ATOP=Automotive Probe SWTOP=Switch Probe	Test Pitch Number 075=75mil test pitch	Head Style Code H=4 points head more...	Head Diameter 10=1.0mm=0.039inch	Spring Force 100G =100grams=1Newton 200G =200grams=2Newton more...