

General Description

The TMR2503 linear sensor utilizes a unique push-pull Wheatstone bridge composed of four unshielded TMR sensor elements. The unique bridge design provides a high sensitivity differential output that is linearly proportional to a magnetic field applied perpendicular to the surface of the sensor package, and it provides superior temperature compensation of the output. The TMR2503 is available in the TO94(P/N TMR2503T),SSIP4(P/N TMR2503B), or SOT23-5(P/N TMR2503S) packages.

Features and Benefits

- Tunneling Magneto resistance (TMR) Technology
- High Sensitivity
- Large Dynamic Range
- Low Power Consumption
- Excellent Thermal Stability
- Very Low Hysteresis
- Compatible with wide Range of Supply Voltages

Applications

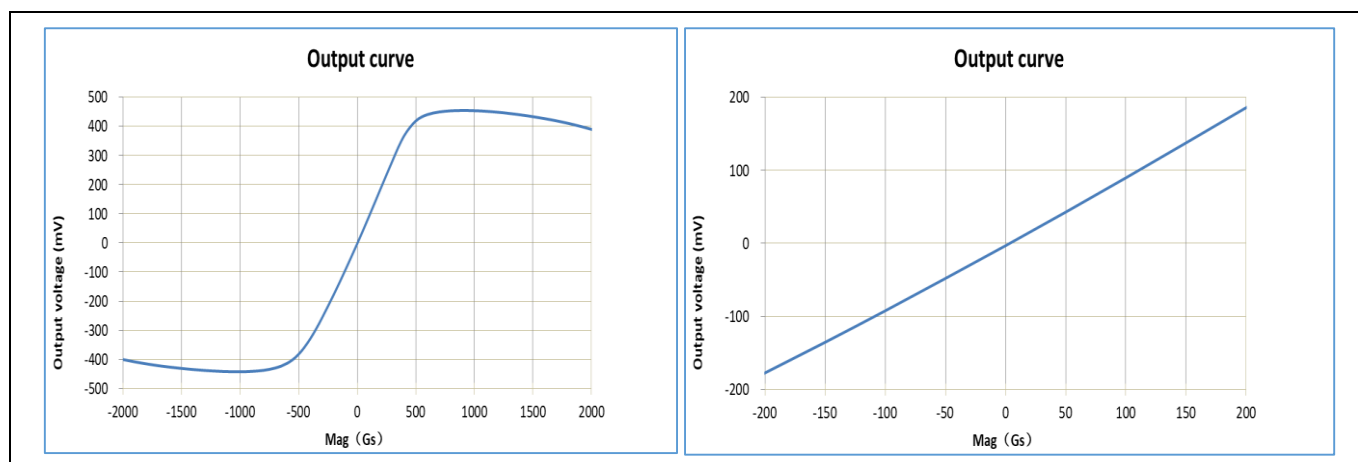
- Magnetic Field Sensing
- Current Sensors
- Motor and Fan Drivers
- Position and Displacement Sensors



TMR2503S, TMR2503B, TMR2503T

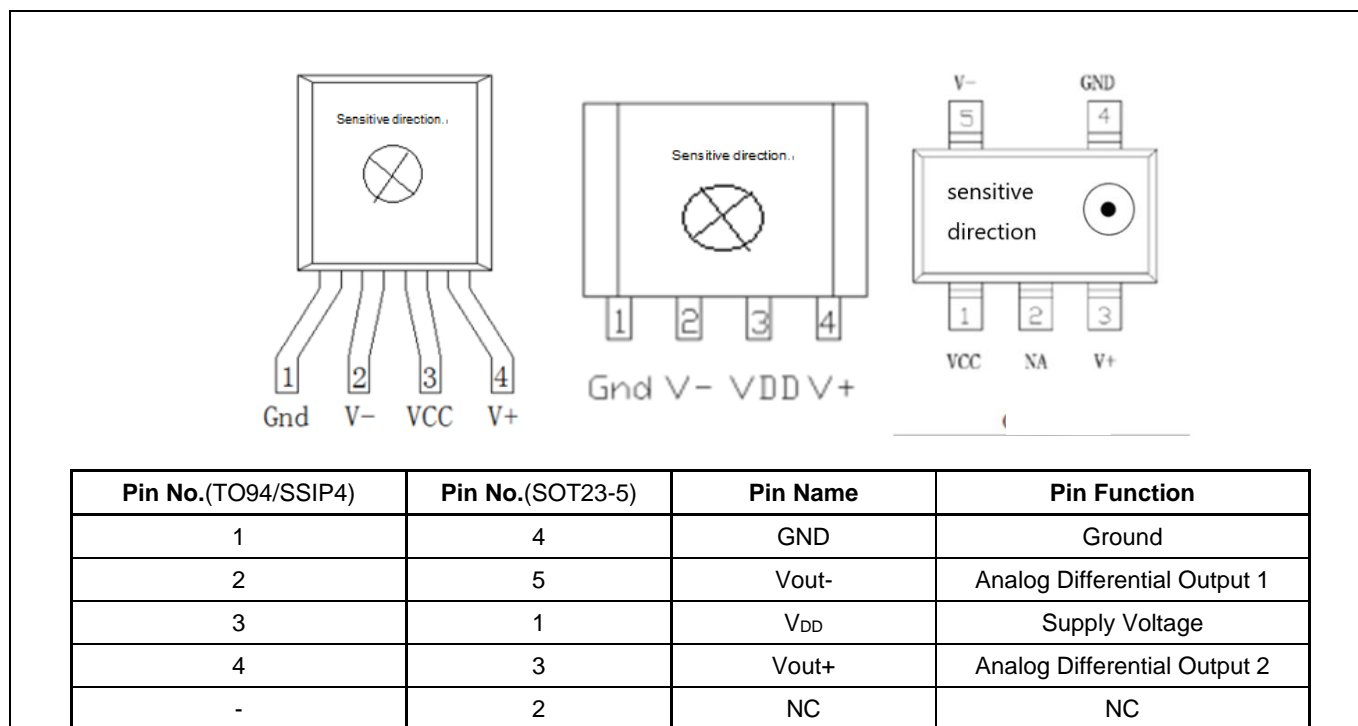
Transfer Curve

The following figure shows the response of the TMR2503 to an applied magnetic field in the range of ± 2000 Oe and ± 200 Oe when the TMR2503 is biased at 1V.



Pin Configuration

Note: Arrow indicates direction of applied field (N-S) that generates a positive output voltage.



Absolute Maximum Ratings

Parameter	Symbol	Limit	Unit
Supply Voltage	V_{DD}	7	V
Reverse Supply Voltage	V_{RDD}	-7	V
Max Exposed Field	H_E	4000	Oe ⁽¹⁾
ESD Voltage	V_{ESD}	4000	V
Operating Temperature	T_A	-55~150	°C
Storage Temperature	T_{stg}	-70 ~165	°C

Specification ($V_{CC}=1.0V$, $T_A=25^{\circ}C$, Differential Output)

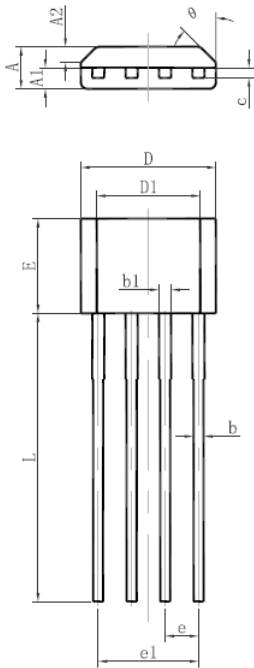
Parameter	Symbol	Conditions	Min	Typ	Max	Unit
Supply Voltage	V_{DD}	Operating		1	7	V
Supply Current	I_{CC}	Output Open		1.1 ⁽²⁾		mA
Resistance	R			0.9 ^(2,3)		KOhm
Sensitivity	SEN	Fit @ ± 50 Oe		1.0		mV/V/Oe
Saturation Field	H_{sat}		-700		+700	Oe
Non-Linearity	NONL	Fit @ ± 50 Oe		0.5		%FS
Offset Voltage	V_{offset}		-20		20	mV/V
Hysteresis	Hys	Fit @ ± 50 Oe			1	Oe
Temperature Coefficient of Resistance	TCR	$H = 0$ Oe		-300		PPM/°C
Temperature Coefficient of Offset	TCO	-55°C~150°C		-0.015		mV/V/°C
Temperature Coefficient of Sensitivity	TCS	-55°C~150°C		300		PPM/°C

Notes:

- (1) 1 Oe (Oersted) = 1 Gauss in air = 0.1 millitesla = 79.8 A/m.
- (2) $I_{cc} = V_{cc} / R$.
- (3) Custom resistance may be available upon request.

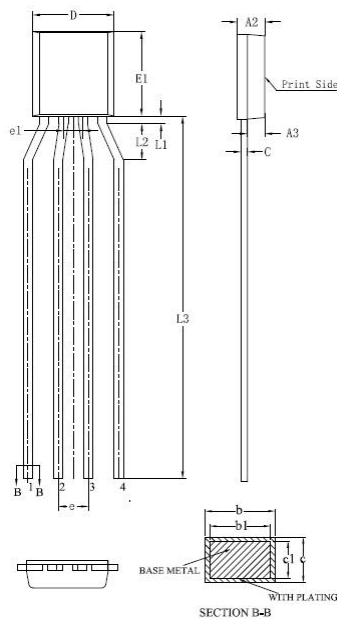
Package Information

TO94 (P/N TMR2503T) package drawing:



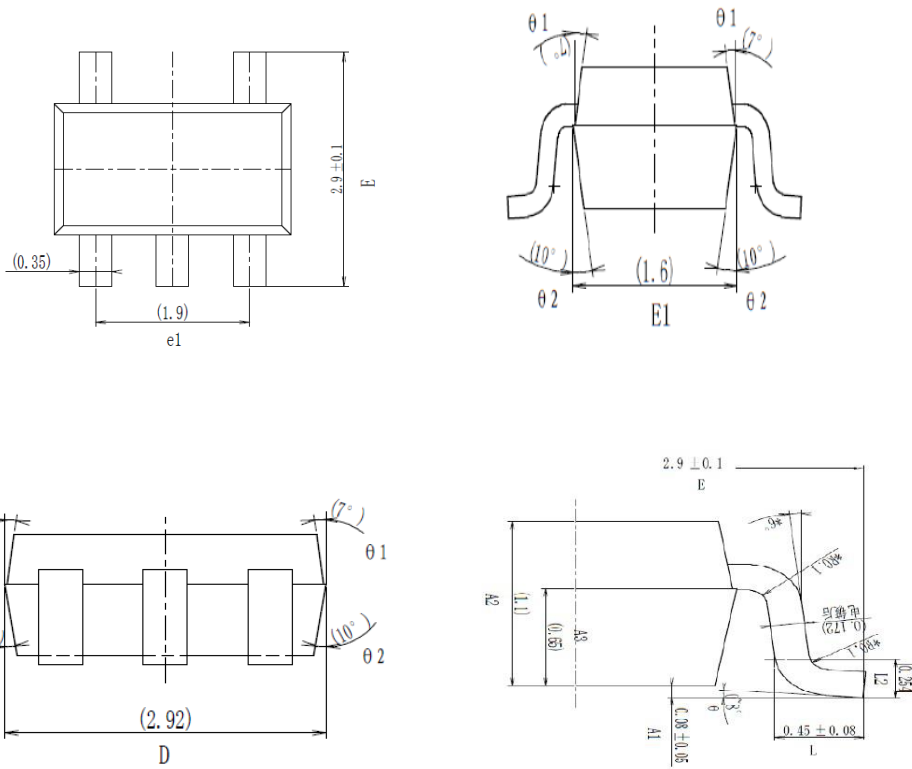
Symbol	Dimensions In Millimeters		Dimensions In Inches	
	Min	Max	Min	Max
A	1.400	1.800	0.055	0.071
A1	0.700	0.900	0.028	0.035
A2	0.500	0.700	0.020	0.028
b	0.360	0.500	0.014	0.020
b1	0.380	0.550	0.015	0.022
c	0.360	0.510	0.014	0.020
D	4.980	5.280	0.196	0.208
D1	3.780	4.080	0.149	0.161
E	3.450	3.750	0.136	0.148
e	1.270 TYP		0.050 TYP	
e1	3.710	3.910	0.146	0.154
L	14.900	15.300	0.587	0.602
θ	45° TYP		45° TYP	

SSIP4 (P/N TMR2503B) package drawing:

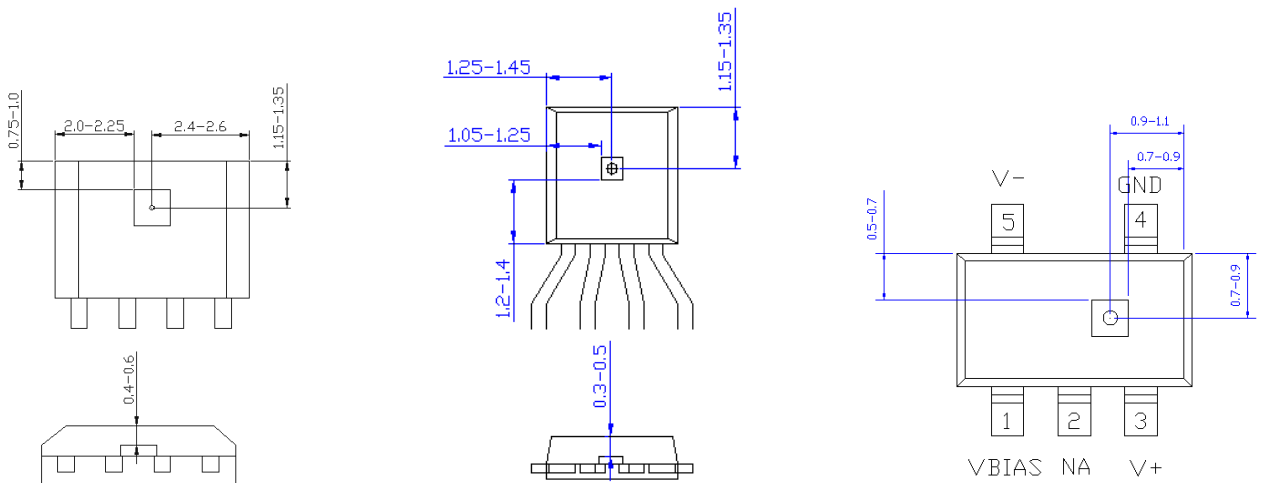


SYMBOL	MILLIMETER		
	MIN	NOM	MAX
A2	0.80	0.90	1.00
A3	0.55	0.60	0.65
b	0.28	—	0.38
b1	0.27	0.30	0.33
c	0.20	—	0.26
c1	0.19	0.20	0.21
D	2.85	2.90	2.95
E1	2.70	2.80	2.90
L1	0.20	0.25	0.30
L2	1.10	1.20	1.30
L3	11.80	12.00	12.20
e	1.00BSC		
e1	0.64BSC		

SOT23-5 (P/N TMR2503S) package drawing:



TMR Sensor Position



TO94 (P/N TMR2503T) Package

SSIP4 (P/N TMR2503B) Package

SOT23-5 (P/N TMR2503S) Package



Top view and side view (unit:mm)



MultiDimension Technology Co., Ltd.

Address: No.7 Guangdong Road, Zhangjiagang Free Trade Zone, Jiangsu, 215634, China

Web: www.dowaytech.com/en

Email: info@dowaytech.com

The information provided herein by MultiDimension Technology Co., Ltd. (hereinafter MultiDimension) is believed to be accurate and reliable. Publication neither conveys nor implies any license under patent or other industrial or intellectual property rights. MultiDimension reserves the right to make changes to product specifications for the purpose of improving product quality, reliability, and functionality. MultiDimension does not assume any liability arising out of the application and use of its products. MultiDimension's customers using or selling this product for use in appliances, devices, or systems where malfunction can reasonably be expected to result in personal injury do so at their own risk and agree to fully indemnify MultiDimension for any damages resulting from such applications.