

TMR1148

MicroAmpere High Frequency Response Unipolar Magnetic Switch Sensor

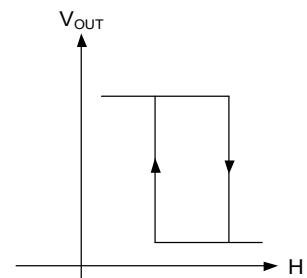
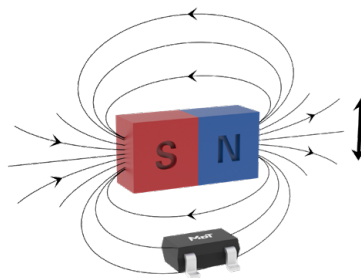
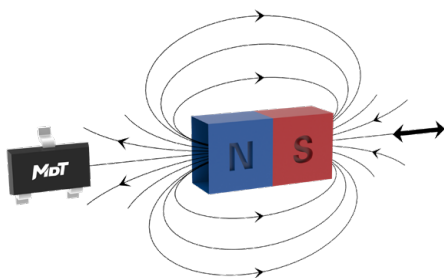
Description

TMR1148 is a unipolar magnetic switch integrated the tunneling magnetoresistance (TMR) magnetic sensor and CMOS circuitry, which is able to detect the change of magnetic field and output high and low voltage signals for high accuracy position detection.

Unlike Hall/AMR sensors, TMR sensors with extremely high resistance values allows TMR1148 to achieve the supply current as low as 1.5 μA while operating in the full-time power supply mode, and maintaining the response frequency of the magnetic signal is 1 kHz. Therefore, TMR1148 can provide true continuous detection of magnetic field signals, avoiding sampling errors from the traditional time-sharing power supply mode.



SOT23-3



Features and benefits

- Tunneling magnetoresistance (TMR) technology
- Low power consumption: supply current 1.5 μA
- High frequency response: typ. 1 kHz
- Unipolar operation
- Wide range supply voltages: 1.8 V to 5.5 V
- Open-drain output
- High sensitivity
- Excellent temperature stability
- High tolerance to external magnetic field interference
- RoHS & REACH compliant
- Validation according to AEC-Q100 Grade1
- Fulfill MSL 1

Applications

- Utility meters: water, gas, and heat meters
- Proximity switches
- Speed sensing
- Linear and rotation position sensing
- Wake-up switch
- Level switch

Selection Guide

Part Number	Supply Current	Response Frequency	Operating Ambient Temperature	Operating Point	Release Point	Package	Packing Form
TMR1148S	1.5 μ A	0 to 1 kHz	-40 °C to 125 °C	15 Gs	10 Gs	SOT23-3	Tape & Reel
Note: Please contact MultiDimension Technology local sales representative for customizing B _{OP} and B _{RP} information.							

Catalogue

1. Functional Block Diagram.....	03
2. Switching Characteristics	03
3. Pin Configuration	03
4. Absolute Maximum Ratings	04
5. Electrical Specifications.....	04
6. Magnetic Specifications.....	04
7. Typical Supply Voltage Characteristics.....	05
8. Typical Temperature Characteristics	05
9. Application Information	06
10. Dimensions.....	07

1. Functional Block Diagram

TMR1148 series switches are composed of TMR sensors and signal processing circuits. The TMR sensor detects external magnetic field, generates an analog voltage signal, and outputs a logical switch level after processing by the circuit as shown in Figure 1.

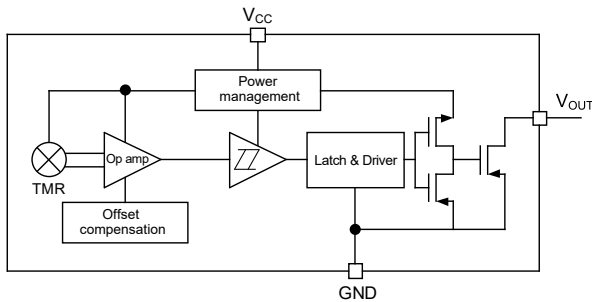


Figure 1. Block diagram

2. Switching Characteristics

The Figure 2 shows the sensing direction is parallel to the silkscreen surface of the package as shown by the arrow.

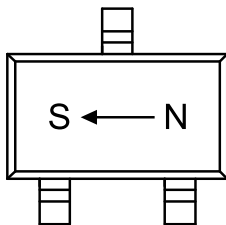


Figure 2. Sensing direction

The output is “High”, when power is on at zero magnetic field. B is the external magnetic field along the sensing direction, B_{OP} is the operating point, B_{RP} is the release point, and hysteresis B_H is define as the difference between B_{OP} and B_{RP} .

The sensor outputs a low level, when the magnetic field along the sensing axis exceeds the operate point B_{OP} , and the device outputs a high level, when the magnetic field is reduced below the release point B_{RP} as shown in Figure 3.

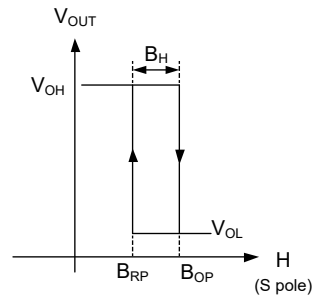


Figure 3. Switching characteristics

3. Pin Configuration

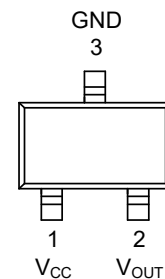


Figure 4. Pin configuration (SOT23-3)

Pin Number	Name	Function
1	V_{CC}	Power supply
2	V_{OUT}	Output
3	GND	Ground

4. Absolute Maximum Ratings

Parameters	Symbol	Min.	Max.	Unit
Supply voltage	V_{CC}	-0.3	7	V
Output current	I_{SINK}	-	20	mA
Magnetic flux density	B	-	4000	Gs
ESD performance (HBM)	V_{ESD}	-	4	kV
Operating ambient temperature	T_A	-40	125	°C
Storage ambient temperature	T_{STG}	-50	150	°C

Note: I_{SINK} is the current flowing through the pin of sensor, when the output is turned on.

5. Electrical Specifications

$V_{CC}=3.0$ V, $T_A=25$ °C, a 0.1 μ F capacitor is connected between V_{CC} and GND unless specified otherwise

Parameter	Symbol	Condition	Min.	Typ.	Max.	Unit
Supply voltage	V_{CC}	operating	1.8	3.0	5.5	V
Output stress voltage	V_{stress}	-	-	-	5.5	V
Output leak current	I_{leak}	OUT = H	-	-	1	μ A
On resistance of output	R_{ON}	OUT = L	-	0.75	1	Ω
Off resistance of output	R_{OFF}	OUT = H	-	30	-	M Ω
Output high voltage	V_{OH}	RP status	[2]	-	V_{CC}	V
Output low voltage	V_{OL}	OP status	0	-	0.2	V
Supply current	I_{CC}	OP and RP status	0.5	1.5	2	μ A
Power-on time	t_{PO}	$V_{CC}=3.0$ V	-	-	400	μ s
Power-on current	I_{PO}	$V_{CC}=3.0$ V	-	-	10	μ A
Response frequency	F	-	0 to 1000			Hz

[2] V_{OH} is affected by the resistance of the switch output pull-up resistor and the leakage current flowing through the pull-up resistor.

6. Magnetic Specifications

$V_{CC}=3.0$ V, $T_A=25$ °C, a 0.1 μ F capacitor is connected between V_{CC} and GND unless specified otherwise

Parameter	Symbol	Min.	Typ.	Max.	Unit
Operate point	B_{OP}	10	15	25	Gs
Release point	B_{RP}	5	10	20	Gs
Hysteresis	B_H	2	5	9	Gs

7. Typical Supply Voltage Characteristics

Supply Voltage Characteristics

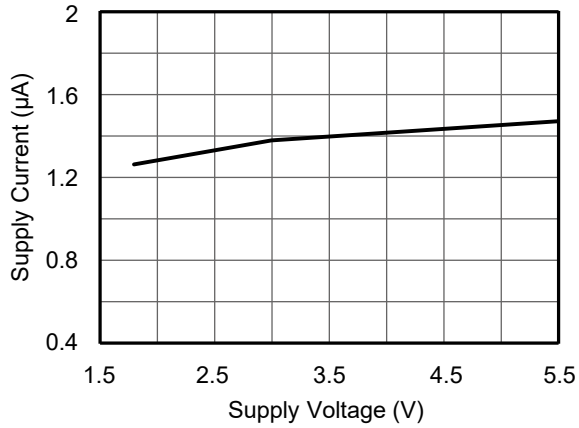


Figure 5. Supply current versus supply voltage (T_A=25°C)

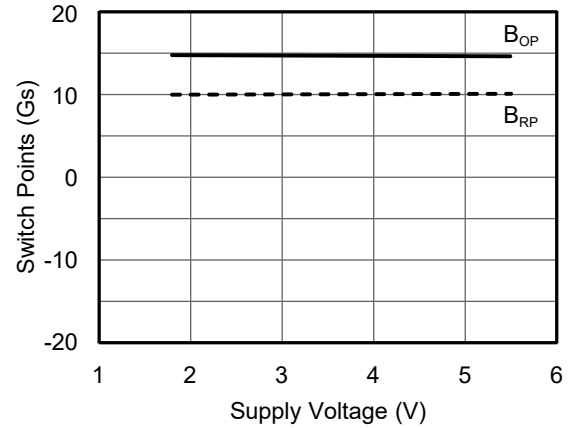


Figure 6. Switch points versus supply voltage (T_A=25°C)

8. Typical Temperature Characteristics

Temperature Characteristics

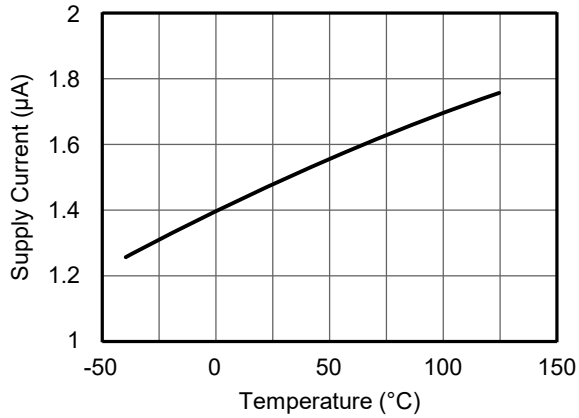


Figure 7. Supply current versus temperature (V_{CC}=3V)

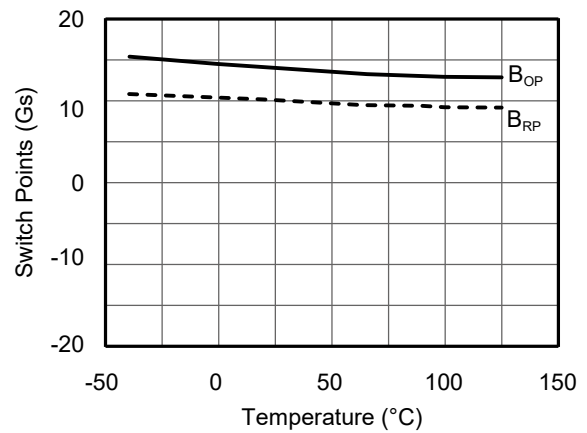


Figure 8. Switch points versus temperature (V_{CC}=3V)

9. Application Information

It is recommended to add a filter capacitor with the typical value of $0.1\ \mu\text{F}$ between the switch power supply and ground (close to the sensor) to reduce external noise as shown in Figure 9.

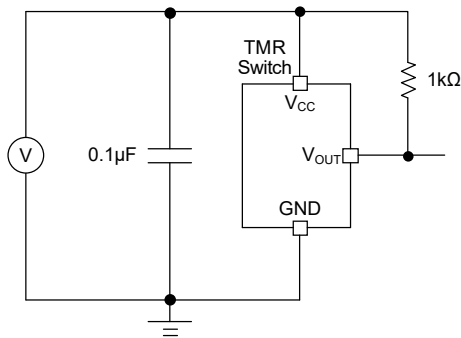


Figure 9. Application circuit diagram

The TMR1148 series sensor chips are not suitable for driving power loads. Figure 10 illustrates the general method of improving the drive capability is utilizing the output voltage of V_{OUT} pin as a signal to input the MCU or drive a triode or MOS.

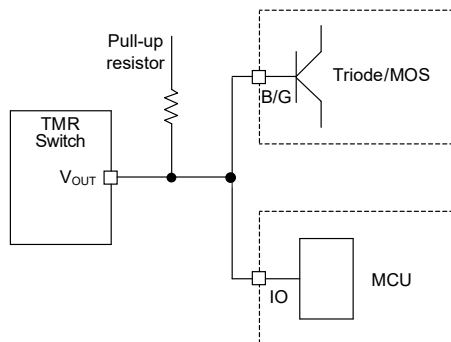


Figure 10. Application diagram for driving power load

Common failure conditions:

- The supply voltage exceeds the limit of absolute maximum ratings
- Absence of matching filter capacitor to power supply when the power supply is unstable, which can cause the product to restart repeatedly
- Using switch output V_{OUT} to control high-power relays, etc., and cause I_{SINK} exceeding the limit of absolute maximum ratings
- The external magnetic field exceeds the limit of absolute maximum ratings
- Operating in a humid environment for a long time, causing vapor penetration and increased power consumption
- Overheating when soldering
- Over bending of pins

10. Dimensions

SOT23-3 Package

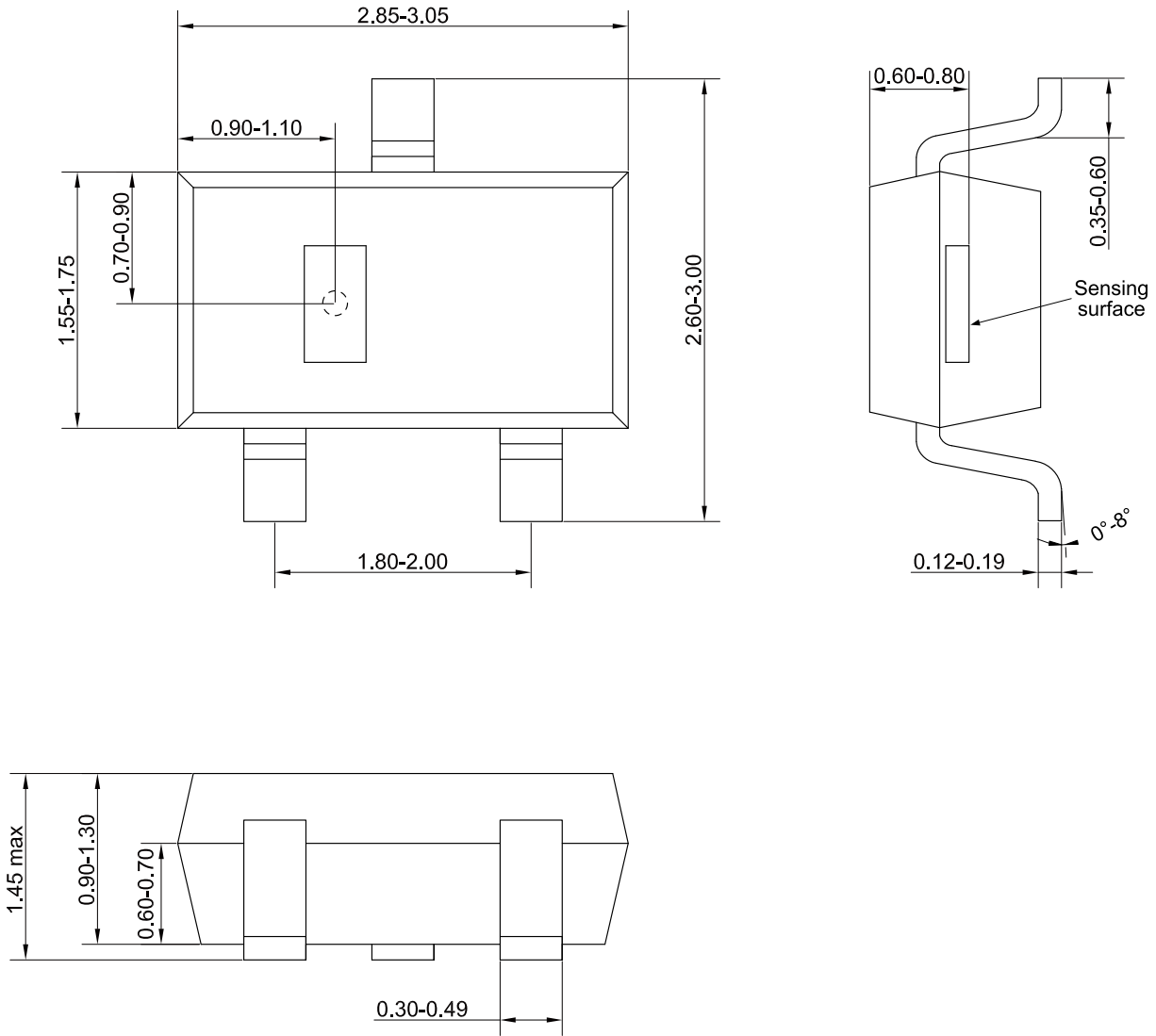


Figure 11. Package outline of SOT23-3 (unit: mm)

Copyright © 2022 by MultiDimension Technology Co., Ltd.

Information furnished herein by MultiDimension Technology Co., Ltd. (hereinafter MDT) is believed to be accurate and reliable. However, MDT disclaims any and all warranties and liabilities of any kind, with respect to any examples, hints or any performance or use of technical data as described herein and/or any information regarding the application of the product, including without limitation warranties of non-infringement of intellectual property rights of any third party. This document neither conveys nor implies any license under patent or other industrial or intellectual property rights. Customer or any third-party must further determine the suitability of the MDT products for its applications to avoid the applications default of customer or third-party. MDT accept no liability in this respect.

MDT does not assume any liabilities of any indirect, incidental, punitive, special or consequential damages (including without limitation of lost profits, lost savings, business interruption, costs related to the removal or replacement of any products or rework charges) whether or not such damages are based on tort (including negligence), warranty, breach of contract or any other legal theory. Notwithstanding any damages that customer might incur for any reason whatsoever, MDT's aggregate and cumulative liability towards customer for the products described herein shall be limited in accordance with the terms and conditions of commercial sale of MDT.

Absolute maximum ratings are the extreme limits the device will withstand without damage to the MDT product. However, the electrical and mechanical characteristics are not guaranteed as the maximum limits (above recommended operating conditions) are approached. MDT disclaims any and all warranties and liabilities of the MDT product will operate at absolute maximum ratings.

Specifications may change without notice.

Please download latest document from our official website www.dowaytech.com/en.

Recycling

The product(s) in this document need to be handed over to a qualified solid waste management services company for recycling in accordance with relevant regulations on waste classification after the end of the product(s) life.



No.2 Guangdong Road, Zhangjiagang Free Trade Zone, Jiangsu, China

Web: www.dowaytech.com/en E-mail: info@dowaytech.com

