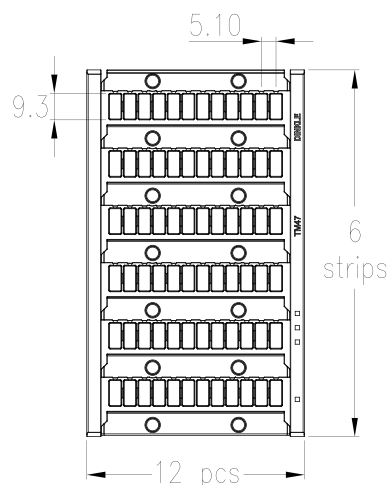
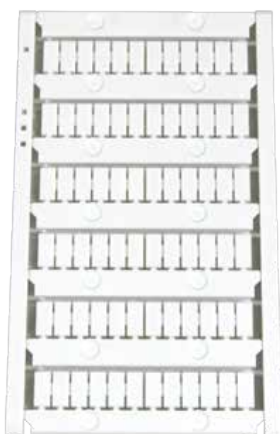


# TM47W



DIN Rail Terminal Blocks > Accessories > Marking Label



## Specification

| Product description  | Marking Lable  |
|----------------------|--|
| Color                | White  |
| Material             | PC   |
| Inflammability class | UL94-V2  |
| Length               | 9.3 mm   |
| Width                | 5.1 mm   |
| Total number of tabs | 12 x 6 = 72  |
| Compatible products  | <p><b>BEST APPLICATION :</b><br/>                     DP2.5, DP2.5-TN, DP2.5-TR, DP2.5-PE, DP2.5-TN-PE, DP2.5-TR-PE, DP2.5/1P, DK2.5N, DK2.5N-TN, DK2.5N-TR, DKK2.5N, DKK2.5N-PV, DK2.5N-PE, DK2.5N-TN-PE, DK2.5N-TR-PE, DK2.5N-TP, DK2.5N-TG, DK2.5N-CP, DKK2.5N-TP, DKK2.5N-TG, DKK2.5N-CP</p> <p><b>AVAILABLE APPLICATION :</b><br/>                     DK2.5-PE, DKES1.5, DKES1.5-XXP, DKES1.5M-XXP</p> |
| Package              | 10 pcs / box   |