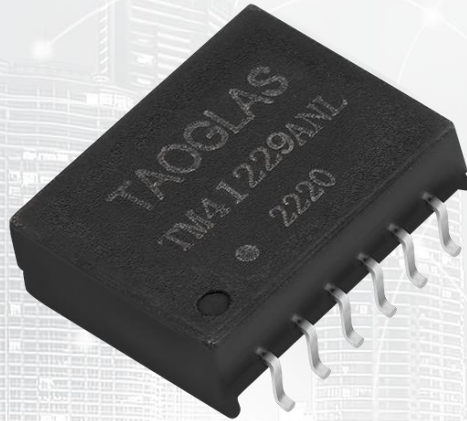




TAOGLAS®



Datasheet

LAN Transformer 10/100 Base-T

Part No:
TM41229ANL

Description:

10/100 Base-T transformer
Single Port and 12pin SMT

Features:

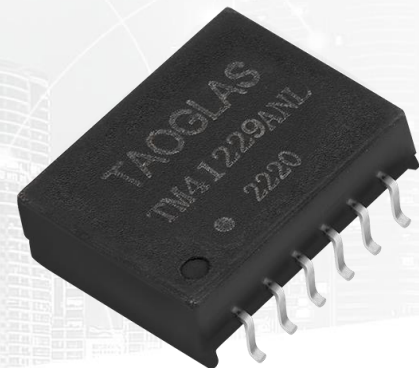
Industrial grade
RoHS & REACH Compliant

| | |
|------------------------|---|
| 1. Introduction | 3 |
| 2. Specifications | 4 |
| 3. Mechanical | 5 |
| 4. Electrical | 6 |
| 5. Packaging & Storage | 7 |
| <hr/> | |
| Changelog | 8 |

Taoglas makes no warranties based on the accuracy or completeness of the contents of this document and reserves the right to make changes to specifications and product descriptions at any time without notice. Taoglas reserves all rights to this document and the information contained herein. Reproduction, use or disclosure to third parties without express permission is strictly prohibited.



1. Introduction



Featuring a compatible footprint with industry LAN transformers, and designed to work in demanding industrial environmental conditions, the Taoglas TM41229ANL is a 10/100 Base-T Single Port of 12pin with Transformer and Common Mode Choke to offer better EMI performance.

Typical applications for this cost-effective part are:

- Industrial Automation
- Hubs
- Routers
- Switches
- Wireless Access Points

The Taoglas Magnetics Product Team have over fifteen years of LAN magnetics design and high-quality manufacturing. With an ever-expanding portfolio, we provide trusted products and services to customers within a wide range of applications such as: Networking and Interconnect Devices, Servers, Switches, Router, Communication systems and any Digital Consumer electronics.

The Taoglas Exos Series offer an extensive product line of LAN Transformers designed for commercial and industrial grade applications, supporting 10/100 Base-T (Exos100 Series), 1G Base-T (Exos1G Series) and 10G Base-T (Exos10G Series). These products include Single, Dual, and Quad configurations not only for standard applications but also for Power over Ethernet (PoE, PoE+, PoE++).

For more information on the range of products or for assistance with integration, contact your regional Taoglas customer support team.

2. Specifications

| Electrical Performance @25°C | |
|-----------------------------------|--|
| Inductance OCL | 150μH MIN @ 100KHz 0.1V 8mA DC Bias |
| Turns Ratio (±3%) | TX=1CT: 1CT RX=1CT: 1CT |
| Creepage Distance | >10 mm |
| Primary Leakage | 0.5uH Max @ 100Khz, 0.1Vrms |
| Cw/w | 35pF Max. Primary to Secondary |
| DCR | Primary: 0.45Ω Max, Secondary: 0.85Ω Max |
| Insertion Loss | 0.25dB MAX @ 4Mhz |
| Return Loss (Z OUT = 100 OHM ±1%) | 20dB MIN @ 4Mhz |
| Crosstalk Adjacent Channels | -50dB MIN @ 4Mhz |
| Common Mode Rejection Ratio | -35dB MIN @ 1-10Mhz |
| | -20dB MIN @ 10-1000Mhz |
| Hi-Pot | 1500VAC |

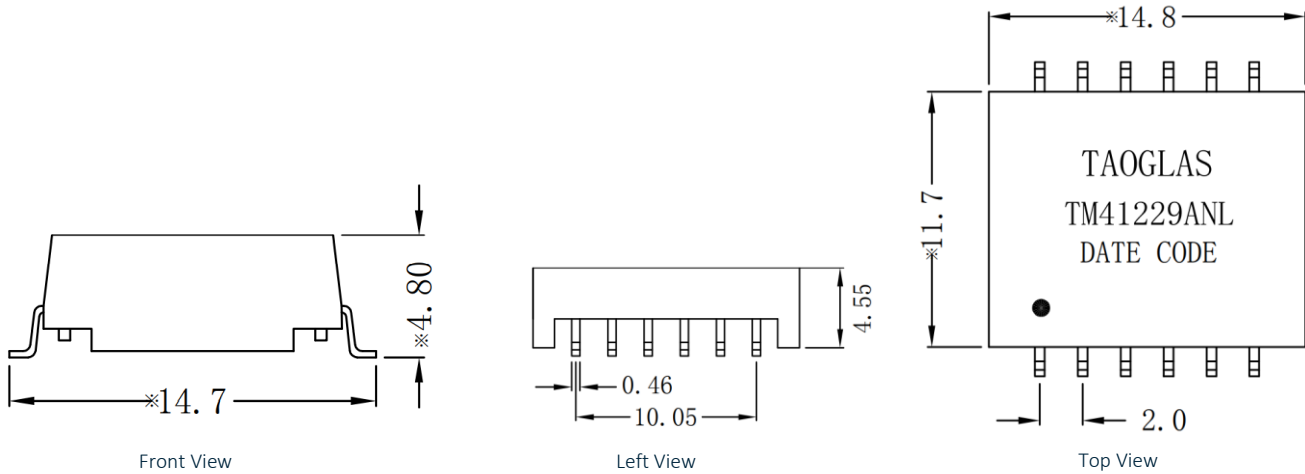
| Environmental Specifications | |
|------------------------------|----------------|
| Operating Temperature | -40°C TO +85°C |

| Compliance | |
|----------------------------------|--|
| UL recognized - FILE NO. E528697 | |
| RoHS Compliant | |

| Storage Requirements | |
|----------------------|----------------|
| Humidity | MSL - 1 |
| Storage Temperature | -40°C TO +85°C |

3. Mechanical

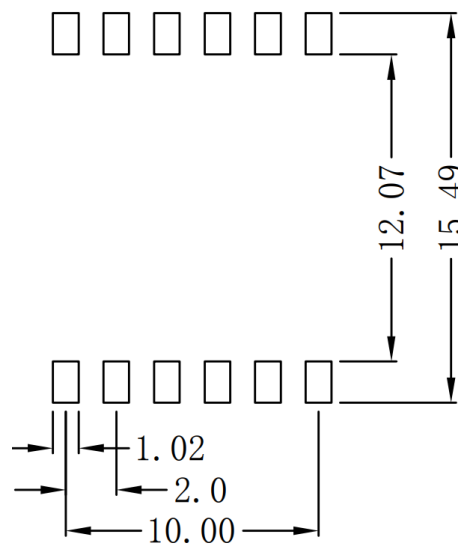
3.1 Mechanical Drawings



| Mechanical Specifications | |
|---------------------------|---------------------|
| Length | 14.8 mm |
| Width | 14.7 mm |
| Height | 4.80 mm |
| Mounting Style | Surface Mount (SMT) |

Dimensions are in millimeters with the following tolerances: X.XX = ±0.25

3.2 Pad Layout

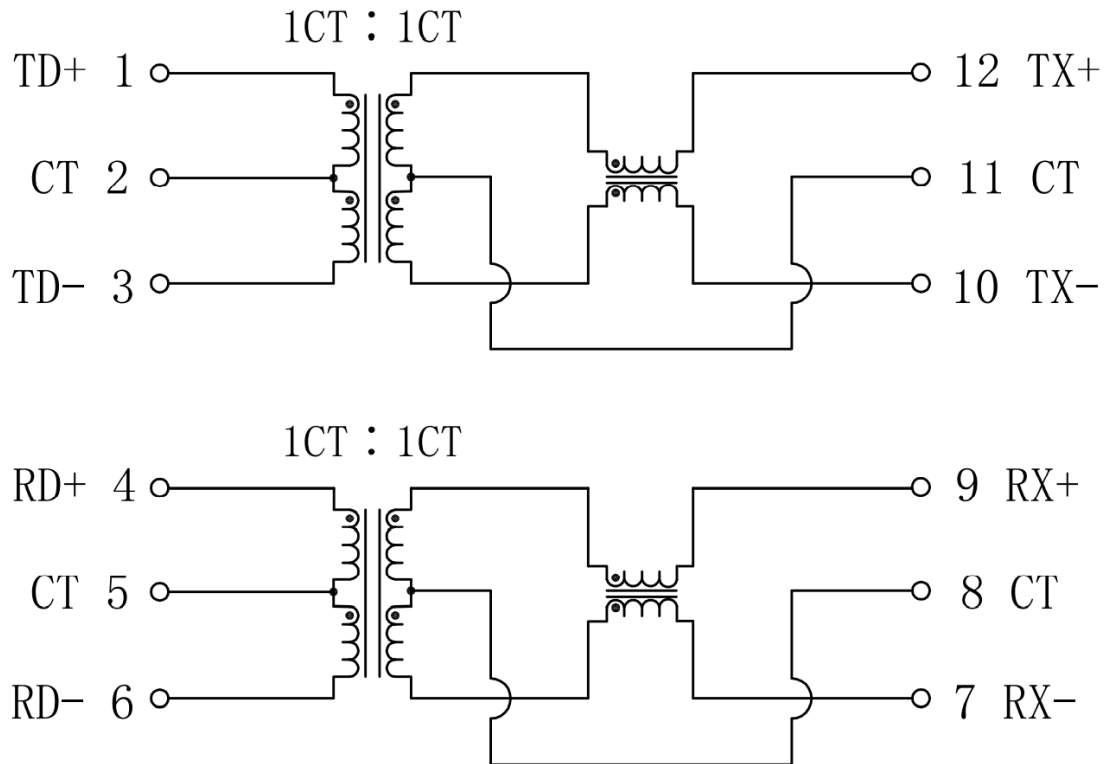


Suggested pad layout

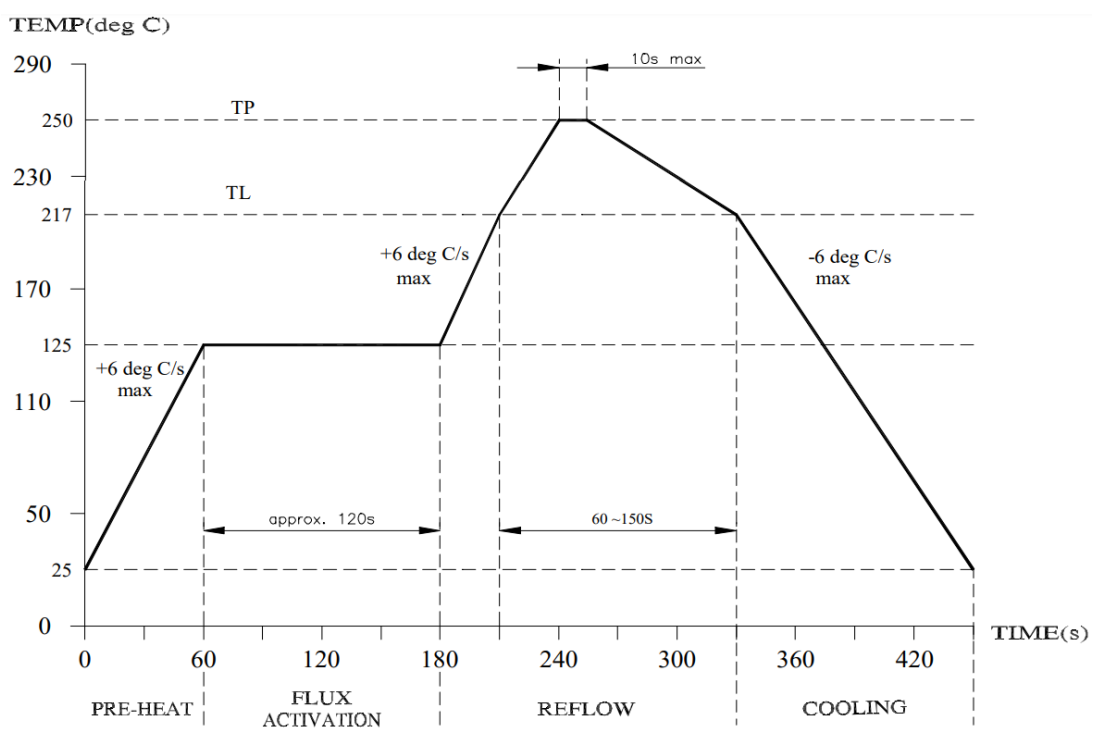
Dimensions are in millimeters with the following tolerances: X.XX = ±0.10

4. Electrical

4.1 Electrical Drawings



4.2 Profile of Reflow Solder



5. Packaging and Storage

5.1 SPQ

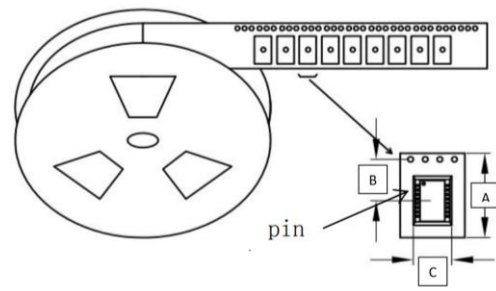
600 pcs/reel

A (Carrier Tape Width): 24 ± 0.3 mm

B (Sprocket hole to Cavity center): 11.5 ± 0.2 mm

C (Cavity width): 15.3 ± 0.2 mm

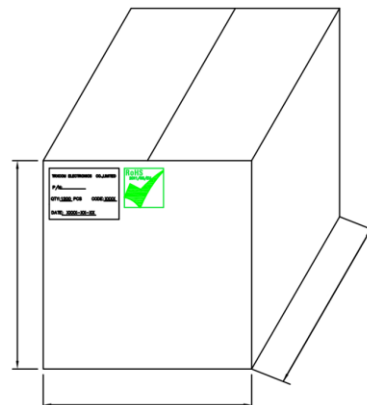
Reel weight: 1000 g



1CTN = 6 reels = 3600 pcs

Carton dimensions: 370*370*250mm

Carton Weight: 6 kg



Changelog

Changelog for the datasheet

SPE-22-8-040 – TM41229ANL

Revision: B

| | |
|---------|--|
| Date: | 2023-04-27 |
| Notes: | Change from BMS Transformer class to LAN Transformer 10/100 Base-T |
| Author: | Javier Vasena |

Previous Revisions

Revision: A (Original First Release)

| | |
|---------|---------------|
| Date: | 2022-11-08 |
| Notes: | |
| Author: | Javier Vasena |



www.taoglas.com

