

TAPE AND REEL DEFINITION
 ITEMS 5 AND 6 NOT SHOWN FOR CLARITY
 NOTES 1 THRU 5 APPLY
 SCALE 4:1

PACKAGING NOTE(S) :

- ① ASSEMBLE CONNECTOR SUB-ASSEMBLY, ITEMS 1 AND 2.
- ② CONNECTOR SUB-ASSEMBLY (NOTE 1) SHALL BE PLACED INSIDE CARRIER TAPE (ITEM 3).
NOTE: ORIENT CUTOUT ON THE THE CONNECTOR POINTING TOWARD SPROCKET HOLES.
- ③ SSMP® CONNECTORS IS HELD ON CARRIER TAPE USING COVER TAPE (ITEM 4).
- ④ A MAXIMUM OF 500 CONNECTORS CAN BE FITTED INTO CARRIER TAPE ON 13.0 INCH DIA REEL (ITEMS 5 AND 6).
- ⑤ SUB-ASSEMBLY PER NOTES 1 AND 2 TO BE INSTALLED ONTO REEL AND HUB (ITEMS 5 AND 6), PRIOR TO SHIPPING.
REEL AND HUB (ITEMS 5 AND 6) NOT SHOWN ON DRAWING.

GENERAL NOTE(S):

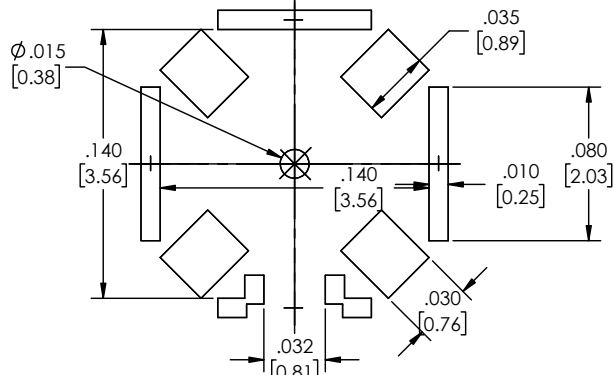
- 6. SEE SHEET 2 FOR PCB DEFINITION.

QTY.	PART NO.	DESCRIPTION	ITEM NO.
.002IN EA	C3112-2	INNER HUB	6
.004IN EA	C3111-1	FLANGE, TAKE UP REEL	5
.002IN EA	PS30133-500	COVER TAPE, PSA, 13.3mm	4
.002IN EA	C3932-27	CARRIER TAPE	3
1	C3869-7	PLASTIC CAP	2
1	P317TL-1CC	SSMP CONNECT ASSEMBLY	1

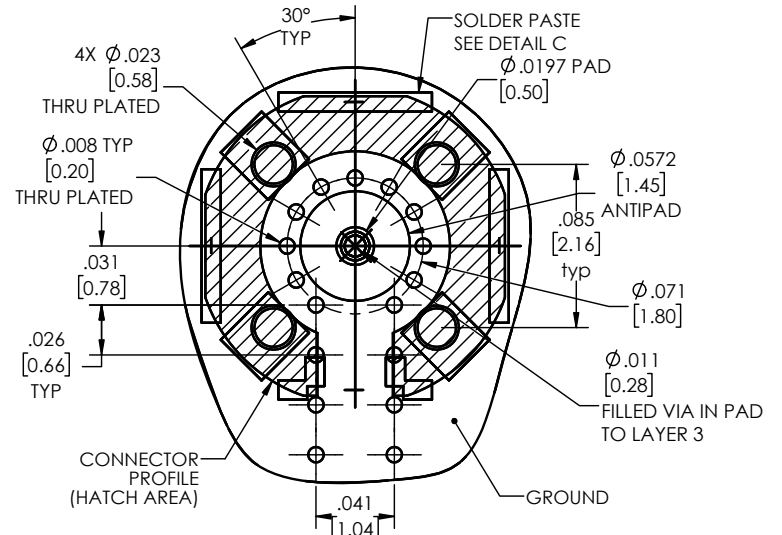
DIMENSIONS ARE IN INCHES/MILLIMETERS ± TOLERANCES UNLESS OTHERWISE NOTED				THIRD ANGLE PROJECTION		CARLISLE	
.XXX	.XXXX	ANGLE	FRACTIONS	TITLE		SSMP TL, NON-DETENT, PCB, SURFACE MNT	
0.003	0.0005	0.5		P VOLKOV 4/1/19		REV. 02	
NEXT ASSY.				USED ON		TM14-0084-00	
APPLICATION				SCALE: 12:1		DD NOT SCALE DRAWING 1 OF 2	

THE INFORMATION CONTAINED HEREIN IS PROPRIETARY TO CARLISLE, INC. AND SHALL IN NO WAY BE REPRODUCED OR DISCLOSED IN WHOLE OR IN PART OR USED FOR ANY DESIGN OR MANUFACTURE EXCEPT WHEN SUCH USER POSSESSES DIRECT, WRITTEN AUTHORIZATION FROM CARLISLE, INC.

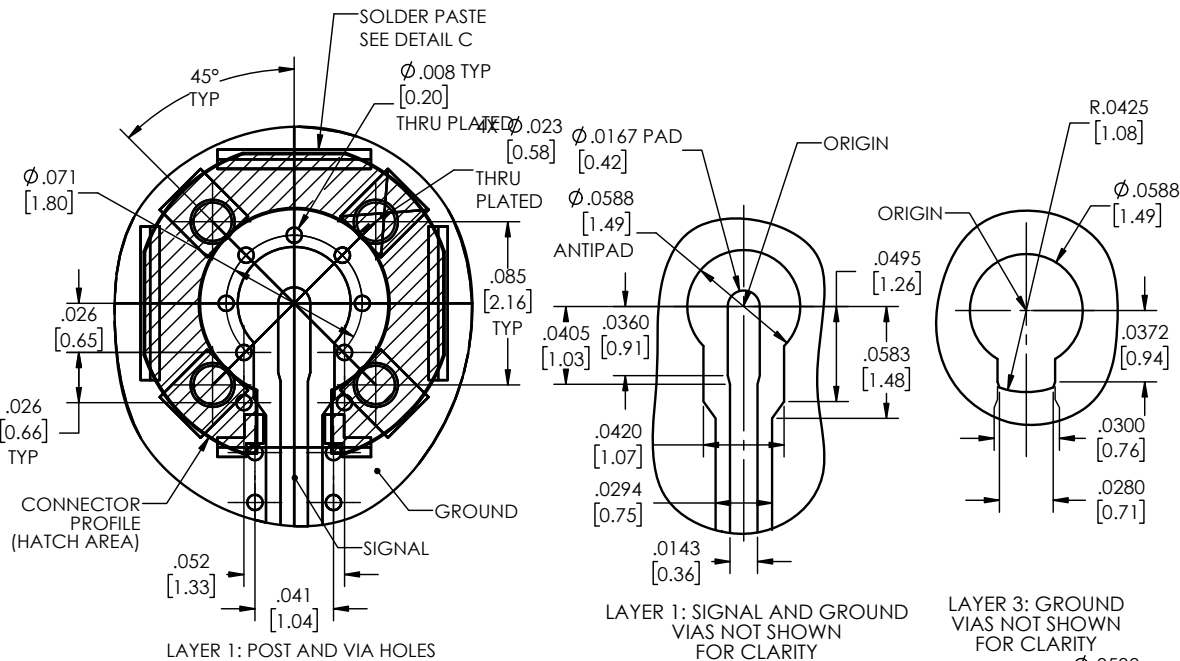




DETAIL C
SOLDER PASTE
STENCIL FOOTPRINT
SCALE 20:1



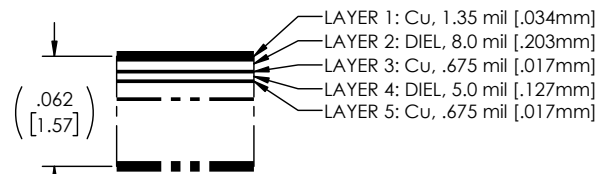
LAYER 1: PAD, ANTIPAD,
POST AND VIA HOLES



LAYER 1: POST AND VIA HOLES

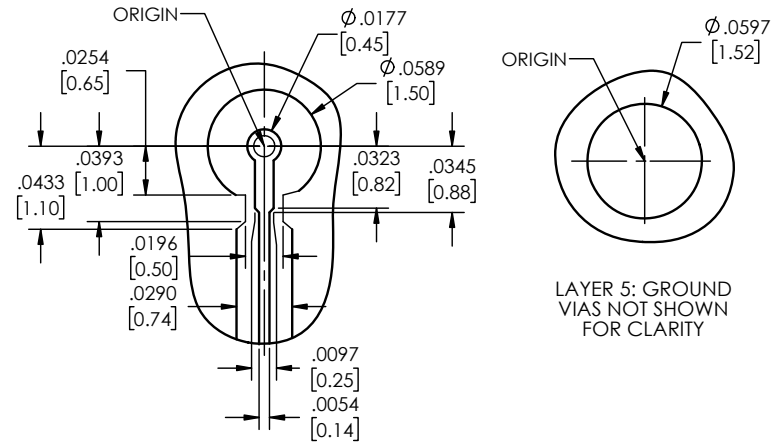
LAYER 1: SIGNAL AND GROUND
VIAS NOT SHOWN
FOR CLARITY

LAYER 3: GROUND
VIAS NOT SHOWN
FOR CLARITY

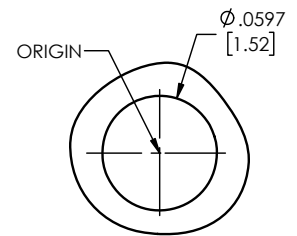


PCB LAYER DEFINITION

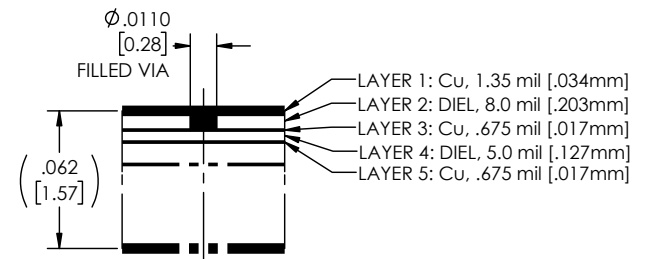
CPW PCB LAYOUT
SCALE 20:1



LAYER 3: SIGNAL TRACE
AND GROUND
VIAS NOT SHOWN
FOR CLARITY



LAYER 5: GROUND
VIAS NOT SHOWN
FOR CLARITY



PCB LAYER DEFINITION
SCALE 25:1

STRIPLINE PCB LAYOUT
SCALE 20:1



SIZE	CAGE CODE	DESCRIPTION	REV
C	7M294	TM14-0084-00	02
SCALE: 1:1		PART NUMBER: TM14-0084-00 2 OF 2	