

TLT. Adjustable hook clamps

Steel or stainless steel



STANDARD EXECUTIONS

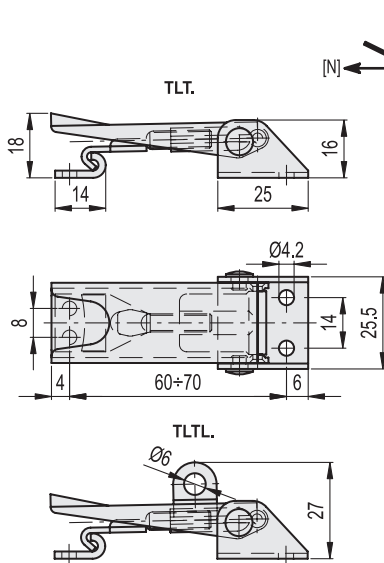
- **TLT**: basic hook clamps.
- **TLTL**: hook clamp with padlock hole.

Index for material and surface treatment to add to descriptions of standard executions:

- **Z**: zinc-plated steel.
- **SST**: AISI 304 stainless steel.

SPECIAL EXECUTIONS ON REQUEST

Adjustable hook clamps with security spring.



TLS. Adjustable hook clamps

Steel

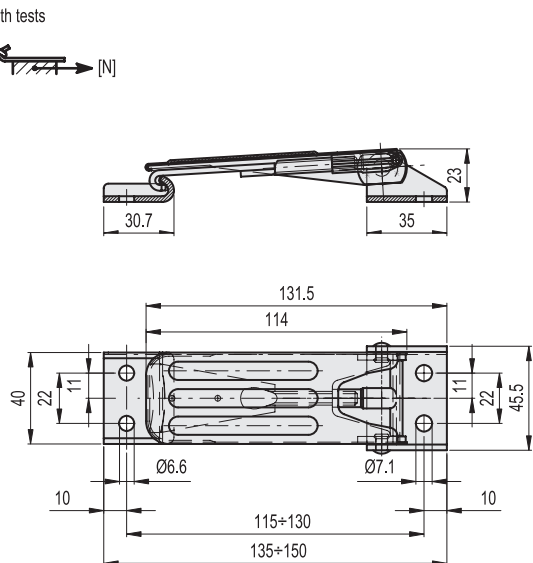


LEVER BODY AND CATCH BRACKET MATERIAL

Zinc-plated steel.

SPECIAL EXECUTIONS ON REQUEST

Adjustable hook clamps with padlock holes.



TLT-Z - TLTL-Z

METRIC

Code	Description	Max. working load [N]	Load at breakage [N]	Δ
420223	TLT.Z-22/60-70+R	1000	1400	53
420224	TLTL.Z-22/60-70+R	1000	1400	54

TLT.SST - TLTL.SST

INOX STAINLESS STEEL METRIC

Code	Description	Max. working load [N]	Load at breakage [N]	Δ
420222	TLT.SST-22/60-70+R	1000	1400	53
420225	TLTL.SST-22/60-70+R	1000	1400	54

METRIC

Code	Description	Max. working load [N]	Load at breakage [N]	Δ
420213	TLS.Z-40/135-150+R	2000	4000	170



Latches