

Contents

Introduction	3
Product Features	3
Hardware Detail	4
Pin Configuration	5
Hardware Interfaces	6
System Pins	6
General Purpose I/O	6
Serial Ports – TTL Level	7
I2C Interface	7
PWM Audio Output	7
Hardware Requirements	8
Hardware Overview	8
What You Will Need	8
Optional Hardware	8
Programming Hardware	9
Software Requirements	10
Typical Connections	11
Programming Connection	11
Interfacing with a Host	11
Interface Notes	12
Hardware Drawing	13
Hardware Schematic	14
Specifications & Ratings	15

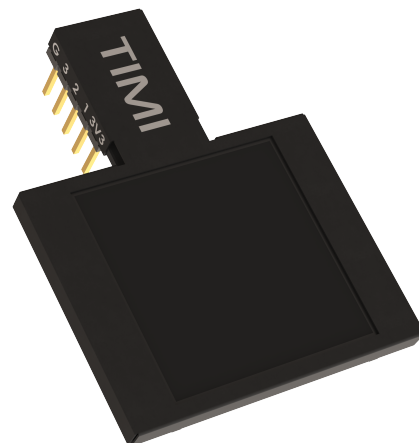
Introduction

TIMI-130, the larger brother to the original TIMI-96 (aka TIMI), is a unique breadboard compatible display development module, aimed to speed up and reinvent the way electronic testing, development and projects are carried out, in either stand alone, host interfaced, PC tethered, or educational settings.

TIMI-130 is a 1.3" TFT IPS LCD display module that is driven directly by a Pixxi28 graphics processor from 4D Labs. It features a unique MatesBus interface, which is simple to use in both breadboard applications, as well as on adaptors or directly into developed products.

TIMI-130 was created as a flexible design aid, primarily to simulate components readouts and meters, which would otherwise be cumbersome or demanding on hardware resources for breadboard or electronic development. Simulating component readouts allows accelerated development and retains the often-limited GPIO hardware associated with many developments.

TIMI-130 was designed for engineers, hobbyists, and students, from beginner to advanced levels, designed to make breadboarding or project development, easier.



Product Features

TIMI's main interface is a 3.3V level Asynchronous Serial UART and features 3 GPIO which can be used as Digital or Analog inputs, Digital Outputs, Master I2C Communication or PWM Audio output. These interfaces arm TIMI with resources to be either a stand-alone controller, a Host driven slave, or a tethered test instrument, while being capable of interfacing and powering external devices itself.

- Powered by 4D Labs Pixxi28 Graphics Processor
- 240(W)x240(H) resolution TFT IPS LCD, non-touch
- 3.3V (5V tolerant) Serial UART interface, capable 300 to 2187500 Baud
- Master I2C (3.3V level) interface bus
- 3 GPIO (3.3V level), 2 capable of Analog or I2C, 1 capable of PWM Audio
- 32MB of External SPI Flash Memory
- 32KB of Processor Flash Memory
- 14KB of Processor SRAM for User Variables
- Single supply 5V power input (*3.3V possible – see [System Pins](#))
- Dedicated 3.3V 500mA power output for User
- Standard 0.1" (2.54mm) pitch male pin headers, breadboard compatible
- RoHS and REACH compliant
- PCB is UL 94V-0 Flammability Rated
- Weight approx. 8.0 grams

Hardware Detail

TIMI-130 utilizes the BBM MatesBus, which is a unique interface pinout designed to be simple and easy to use.

The MatesBus is made up of 2 rows of 5 pins, 0.1" (2.54mm) pitch, spaced 0.3" (7.62mm) apart, ideal for direct plug into a breadboard, or compatible adaptor or development board.

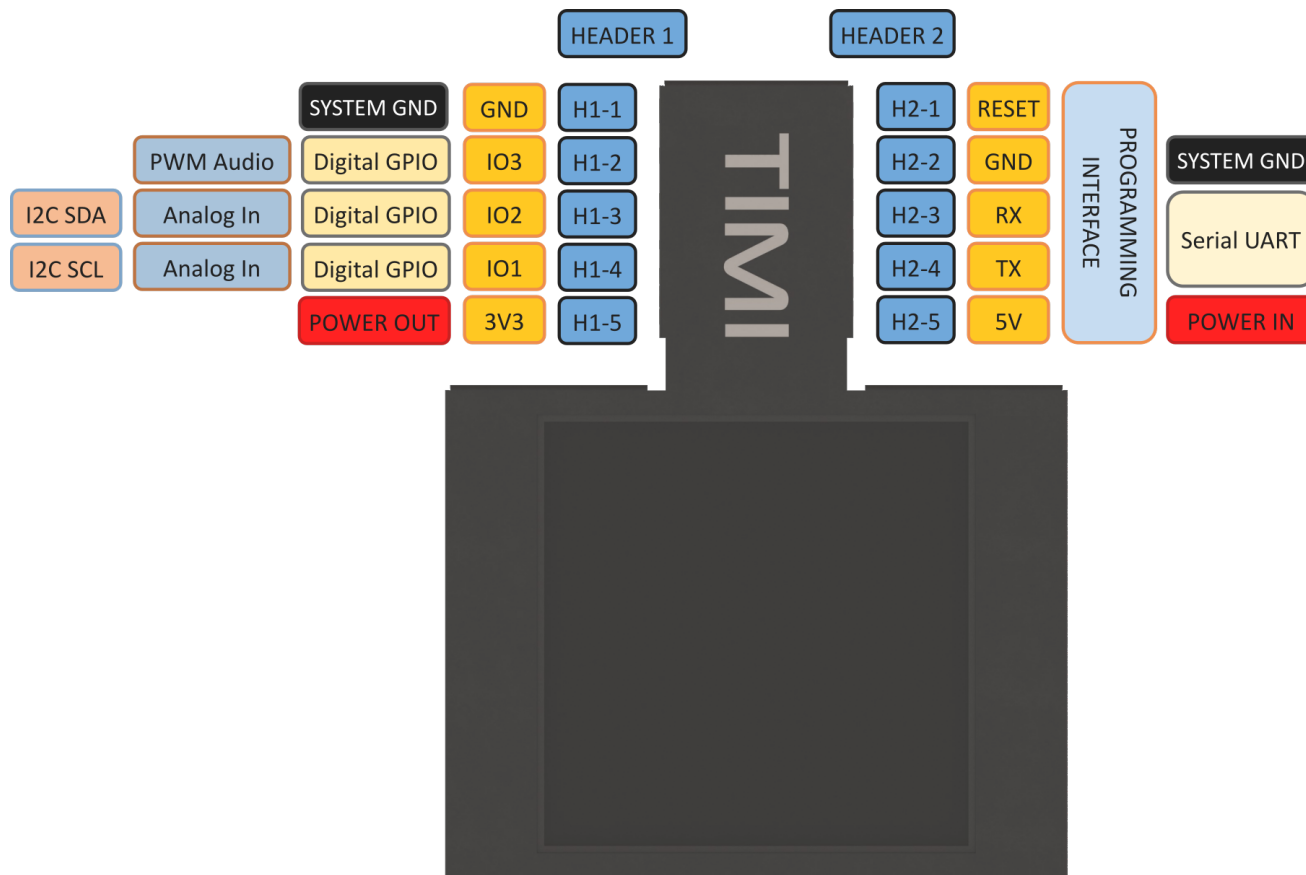
While the TIMI-130 can be orientated in any of its 4 positions, Portrait, Landscape, Portrait Reversed and Landscape Reversed, its natural position forms an upside-down 'T' shape and is designed to interface with the bottom of a breadboard, sitting closest to the User, leaving the top part of the breadboard free for components and wiring.



Pin Configuration

The TIMI-130 MatesBus has 10 physical pins, 5 on each side of the interface neck, and are spaced apart to easy connect onto a breadboard.

The H2 Header doubles as a programming interface and features Power and Serial UART, while the H1 Header features Power Output and 3 GPIO (General Purpose IO).



User I/O – Dual 5 way headers (H1 + H2)

Header/Pin	Symbol	I/O Type	Description
Header1-1	GND	Power	Module / System GND
Header1-2	IO3	I/O	GPIO capable of Digital, PWM Audio Out (3.3V Level)
Header1-3	IO2	I/O/A	GPIO capable of Digital, Analog, I2C SDA (3.3V Level)
Header1-4	IO1	I/O/A	GPIO capable of Digital, Analog, I2C SCL (3.3V Level)
Header1-5	3V3 OUT	Power	3.3V 500mA Power Output for User
Header2-1	RESET	I	System Reset, Active Low
Header2-2	GND	Power	Module / System GND
Header2-3	RX	I	Asynchronous Serial UART Receive Pin (3.3V, 5V Tolerant)
Header2-4	TX	O	Asynchronous Serial UART Transmit Pin (3.3V Level)
Header2-5	5V	Power	Module 5V Input, Main Power

Hardware Interfaces

The TIMI-130 has hardware peripherals configured for interfacing with other external devices – general purpose digital input/output, analog input, UART, PWM and I2C.

System Pins

+5V (Device Supply Voltage)

Display supply voltage pin. This pin should be connected to a stable supply voltage in the range of 4.0 Volts to 5.5 Volts DC. Nominal operating voltage is 5.0 Volts for optimal display performance.

Note

If absolutely required, 3.3V can be applied to the +5V input, and the module will operate correctly, but with a lower backlight brightness. For this reason, it is not a recommended configuration, but for systems without 5V it enables compatibility. Note the 3.3V regulators will be passing the input voltage and not regulating themselves, so ensure you are using a clean power supply input.

3V3 (Device Output Voltage)

3.3V Output of the user dedicated voltage regulator. Capable of approximately 500mA, for external use by the User to power circuits/devices. This is an OUTPUT only, and is not the same regulator as the main system.

GND (Module Ground)

Device ground pin. This pin must be connected to system ground.

RESET (Module Master Reset)

Device Master Reset pin. An active low pulse of greater than 2 microseconds will reset the device. Ideally use an open collector type circuit to reset the device if an external reset is required. Alternatively connect it to a GPIO from a host and drive the pin Low to reset and set the pin High (3.3V) to return to run. This pin is not driven low by any internal conditions but is pulled high with a pull up resistor on the TIMI-96 module itself. The pins primary use is for programming TIMI-96 and is required by the Mates Programmer for loading Firmware/PmmC and applications.

General Purpose I/O

The TIMI-96 has three general purpose input/output (GPIO) pins available.

GPIO pins IO1, IO2 and IO3 can be individually set as a digital input or output. The pin mode of all the pins at power-up or reset is input by default.

When set as digital inputs, the pins are 3.3V tolerant. These are not 5V tolerant and must not be connected directly to 5V devices outputs or 5V sources. When set as digital outputs, the pins output at 3.3V levels. Digital GPIO pins can source/sink 15 mA.

GPIO pins IO1 and IO2 can also serve as analog input pins. The pin mode of all the pins at power-up or reset is input by default. The analog input pins have a range of 0 to 3.3V, each having a maximum 12-bit resolution. Do not exceed the maximal permissible input voltage on these GPIO.

Serial Ports – TTL Level

The Pixxi28 Processor has a single hardware asynchronous serial port with fixed pins TX/RX. The Pixxi28's serial port can be used to communicate with external serial devices and is also used for programming the Pixxi28 itself.

The primary features are:

- Full-Duplex 8-bit data transmission and reception.
- Data format: 8-bits, No Parity, 1 Stop bit.
- Independent Baud rates from 300 baud up to 2187500 baud.

This serial UART is also the programming interface for User program downloads. Once the compiled application is downloaded and the user code starts executing, the serial port is then available to the user application.

TX (Serial Transmit)

Dedicated Asynchronous Serial port transmit pin, TX. Connect this pin to external serial device receive (RX) signal. This pin outputs at 3.3V levels.

RX (Serial Receive)

Dedicated Asynchronous Serial port receive pin, RX. Connect this pin to external serial device transmit (TX) signal. This pin is 5.0V tolerant.

Note

The serial UART output at the level of TTL 3.3V, however is 5V tolerant on the RX pin, so can accept communications from 5V devices.

I2C Interface

The I2C peripheral operates up to 1 MHz, supporting standard mode, full speed, and fast mode.

I2C clock output pin, SCL (IO1). Connect this pin to the SCL pin of an external I2C device. This is 3.3V tolerant only and must not be connected to 5V I2C buses.

I2C data input/output pin, SDA (IO2). Connect this pin to the SDA pin of an external I2C device. This is 3.3V tolerant only and must not be connected to 5V I2C buses.

No pull-up resistors are provided on TIMI-130, therefore external pull up resistors are required to be added by the User on the Breadboard/Bus. Typical pull up resistors to 3.3V are in the region of 4.7Kohm.

Note

The TIMI-130 can only function as a Master in an I2C bus, therefore it cannot be an I2C Slave to a Host at this time.

PWM Audio Output

TIMI-96 is capable of PWM Audio output using GPIO IO3, for connecting to a buzzer, piezo or amplifier/speaker via a filter, and is capable of audio RTTTL tones, frequencies and PWM Audio.

Hardware Requirements

Hardware Overview

TIMI-130 is designed to be used in several ways, but the most basic configurations can be achieved with a TIMI-130 module and a Mates Programmer, connected to your PC in a tethered configuration (see [Programming Hardware](#)).

The TIMI-130 can also be used with various Adaptors and Development Boards which feature a MatesBus interface, or simply into a breadboard directly. The hardware and software requirements for these configurations varies and will be described in documentation associated with those adaptors or boards.

What You Will Need

- TIMI-130 Module
- Mates Programmer
- MicroUSB Cable (Standard Type A USB to microUSB – Not included)
- Windows PC/Laptop running Windows 7 or higher, x86 or x64. ARM is currently not supported at this time.



The Mates Programmer does not come with the microUSB cable, this can be purchased from virtually any hardware/computer store.

Currently, Microsoft Windows is the only supported Operating System for Mates Studio. Announcements will be made when other OS's will become supported.

Optional Hardware

These items are not required but will assist development in situations requiring components or other electronics modules. These are not required for direct PC interfacing.

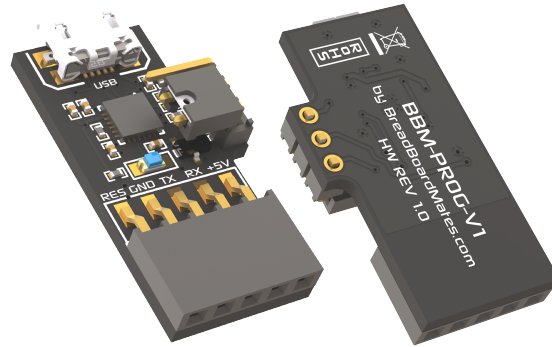
- Standard or Extended Breadboard
- 5-pin Right Angle header (2.54mm pitch), included with the Mates Programmer
- Jumper wires for interfacing to components and sensors

Programming Hardware

TIMI-130 utilizes a USB-to-Serial programmer for application and firmware updates, which programs both the processor flash memory, along with the on-board SPI Flash memory.

The programmer, dubbed BBM-PROG, is the official Mates Programmer and can also be used for testing and debugging of TIMI applications using the Mates Studio IDE.

The [Mates Programmer](#) utilizes the Silicon Labs CP2104 USB to UART bridge, and uses the TIMI's Serial UART to load applications, firmware/PmmC and media content.



TIMI requires the jumper to be positioned like the image above, closest to the 5-way female header. This makes the programmer compatible with programming the 4D Labs Pixxi28 processor.

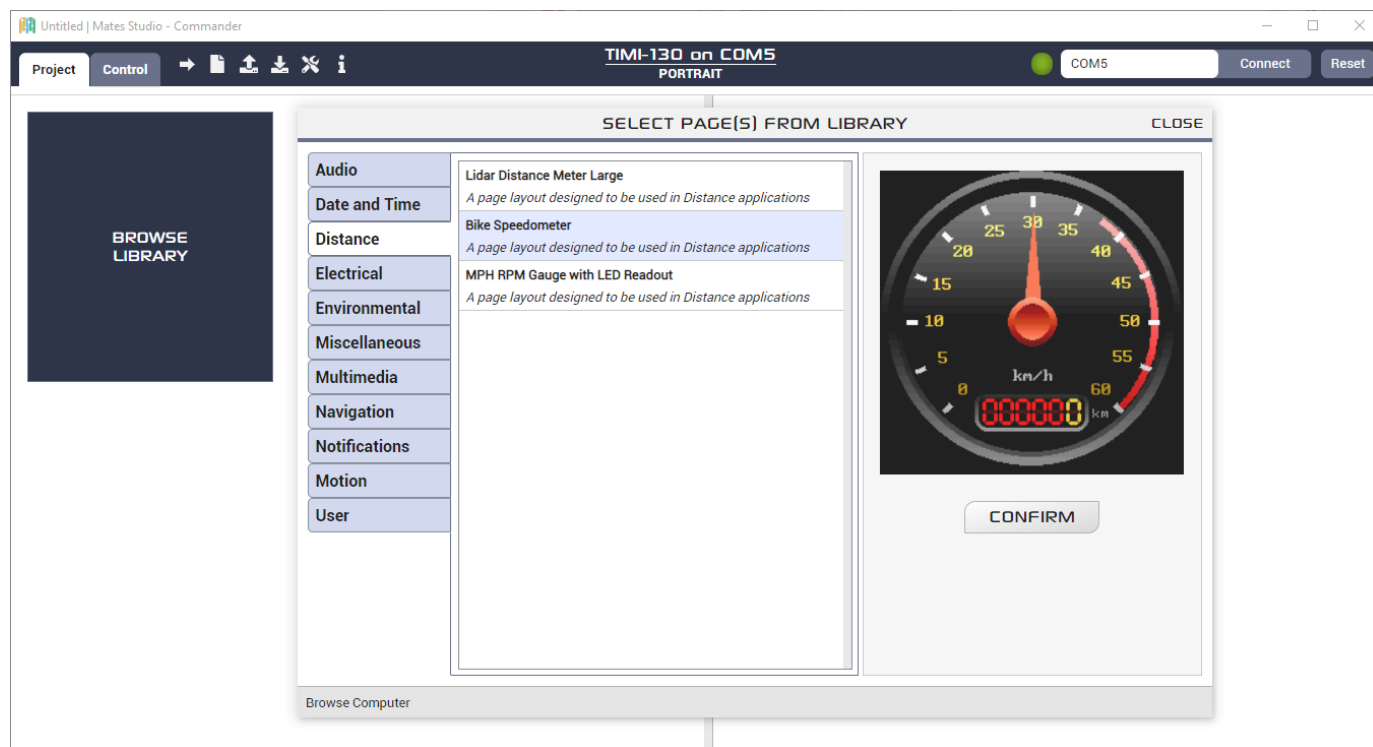
Software Requirements

All software development for the TIMI-130 module utilizes the Mates Studio IDE.



The latest version of Mates Studio can be downloaded from the [Breadboard Mates website](#) or directly from this [link here](#).

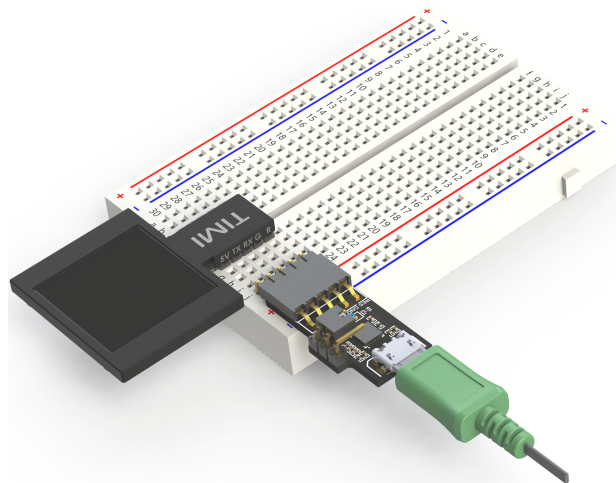
Details specific about the Mates Studio IDE can be found in the [Mates Studio IDE documentation](#).



Typical Connections

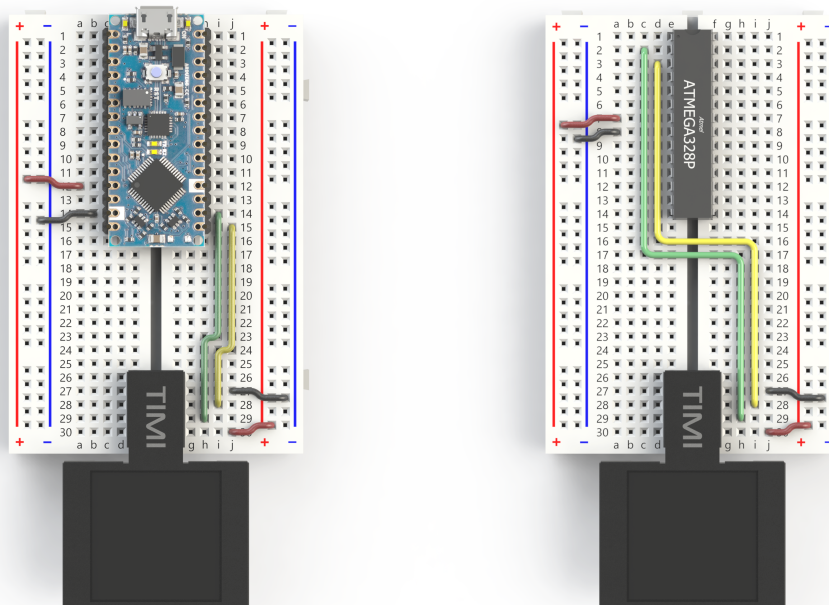
Programming Connection

One of the simplest interfaces for TIMI-130 is connecting TIMI-130 to the bottom of a breadboard, connecting the 5-way right angle header into the breadboard next to the H2 header side of TIMI, and attaching the Mates Programmer to the 5-way header.



Interfacing with a Host

TIMI-130 can interface to virtually any microcontroller or Host, using a Serial UART interface. Simple wire connections can be achieved directly to TIMI or via a breadboard. If the microcontroller or Host utilizes 3.3V or 5.0V UART, then TIMI can be easily connected.



Note

Wiring is simplified, showing main wires only.

Interface Notes

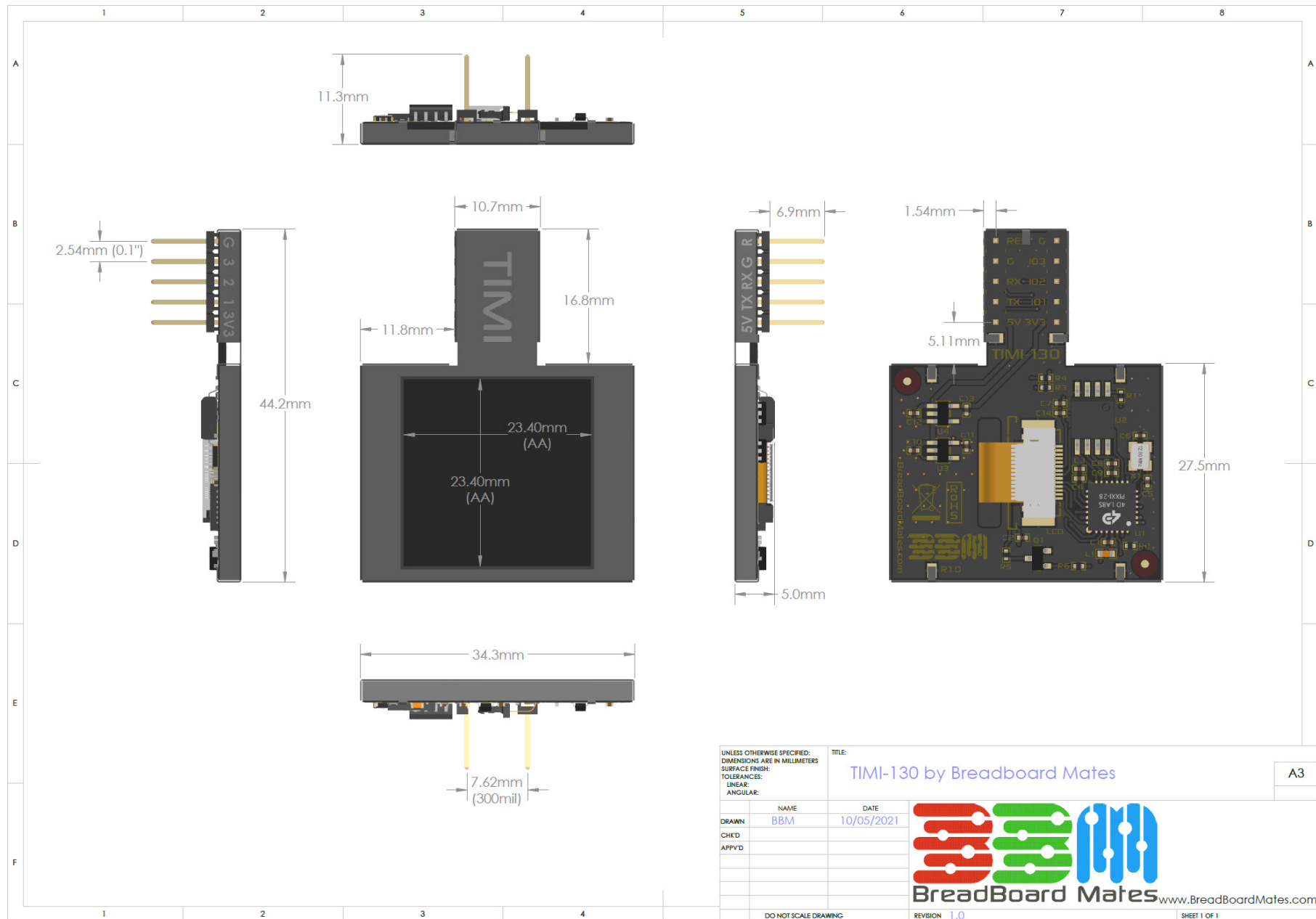
TIMI-130 has a single Serial UART, which is shared for the programming of TIMI-130 from the Mates Studio IDE, but it can also be used to interface to a Host or other device.

When programming the TIMI-130, it needs to be isolated from any other circuit that might be connected to the UART. Unplug any UART connections from the RX and TX, and program the TIMI-130 module directly with the Programmer. When programming is complete, connect the UART RX/TX back up to allow communication to the host/device to resume.

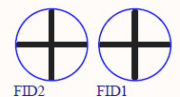
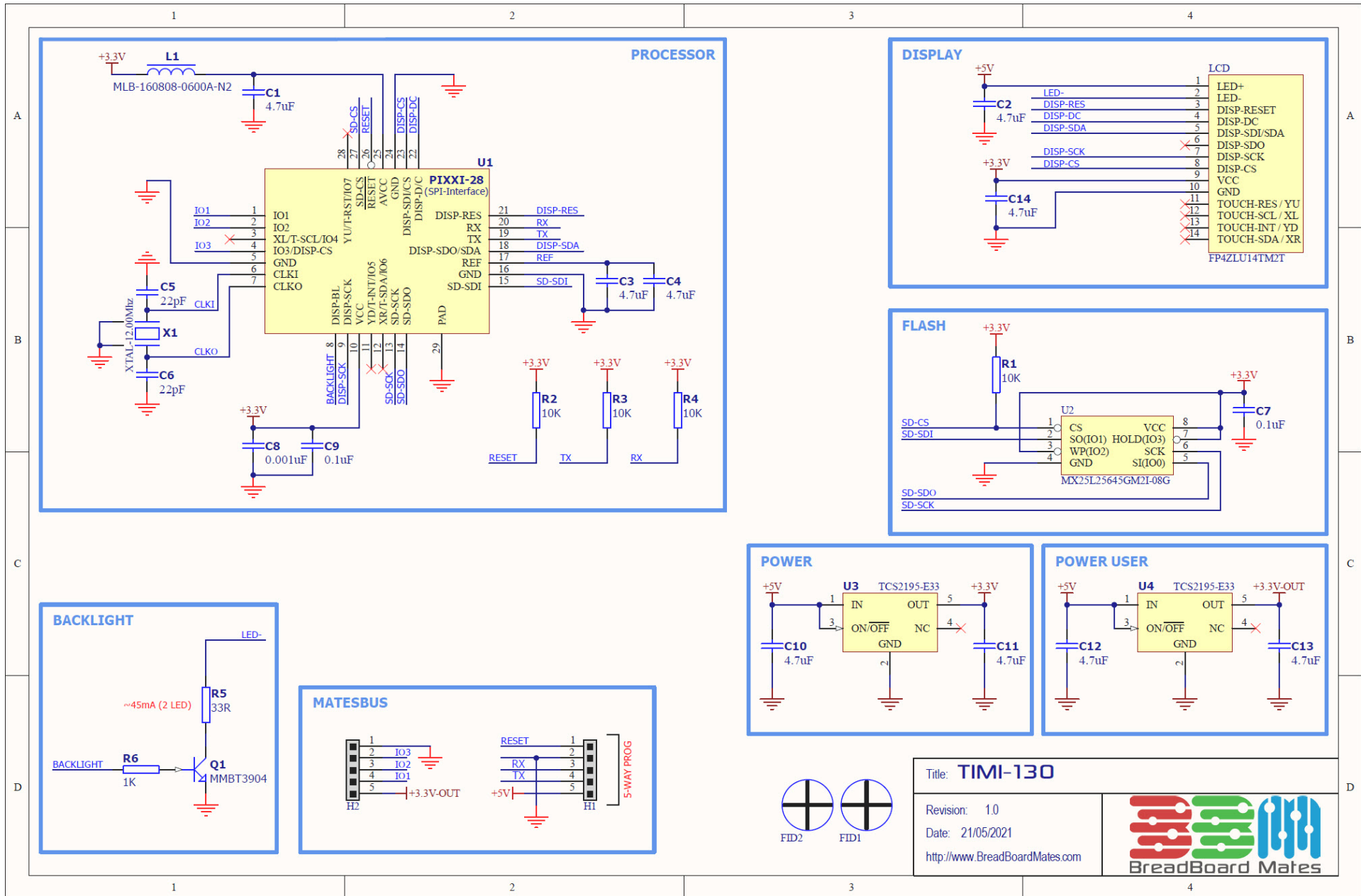
On some Adaptors/Development boards, a switch or jumper may be offered to isolate the RX pin, allowing only Programming TX signals to reach the TIMI-130's RX pin, until the switch is changed. This is useful as it means unplugging or unwiring the UART is no longer required when programming TIMI.

The same situation applies for Hosts/Development boards which also only have a single UART, as programming them often uses the UART too so they would need to be disconnected from TIMI-130 to program them.

Hardware Drawing




Hardware Schematic




Title: **TIMI-130**

Revision: 1.0
 Date: 21/05/2021
<http://www.BreadBoardMates.com>

Specifications & Ratings

 Recommended Operating Conditions					
Parameter	Conditions / Information	Min	Typ	Max	Units
Operating Temperature		-20	—	+70	°C
Storage Temperature		-30	—	+80	°C
Humidity (RH)	Max 60°C	—	—	90%	RH
Supply Voltage (VCC)	Stable external supply required	4.0	5.0	5.5	V
Processor voltage (VP)		—	3.3	—	V
Input Low Voltage (VIL)	all pins	GND	—	0.2VP	V
Input High Voltage (VIH)	non 5V tolerant pins	0.8VP	—	3.3	V
Input High Voltage (VIH)	5V Tolerant Pins, (RX pin)	0.8VP	—	VCC	V
Reset Pulse	External Open Collector (RESET pin)	1.3	—	—	µs
Operational Delay	Power-Up or External Reset	500	—	3000	ms
Output Voltage (3V3)	Output Voltage for User	—	3.3	—	V
Output Current	Output Current capability for User	—	500	—	mA
GPIO Current	Source / Sink	—	—	15	mA

 Operating Characteristics					
Parameter	Conditions / Information	Min	Typ	Max	Unit
Supply Current (ICC)	5V Supply – Normal Operation	—	100	—	mA
Supply Current (ICC)	5V Supply – Sleep Mode	—	8	—	mA
Supply Current (ICC)	5V Supply – Deep Sleep Mode	—	3	—	mA
Display Endurance	Hours of operation, measured to when display is 50% original brightness	30000	—	—	H

 **LCD Display Information**

Parameter	Conditions / Information	Specification
Display Type		TFT IPS LCD
Display Size		0.96" Diagonal
Display Resolution		240x240 pixels
Display Brightness	5V Supply	400 cd/m2 (typical)
Display Contrast Ratio		800:1 (typical)
Display Viewing Angles	Above, Below, Left and Right of Center	80 Degrees
Display Viewing Direction		ALL (IPS Display)
Display Backlighting	White LED Backlighting	2 LED
Pixel Pitch		0.0975 x 0.0975mm (Square pixels)
Pixel Density	Number of pixels in 1 row in 25.4mm	260 DPI/PPI