

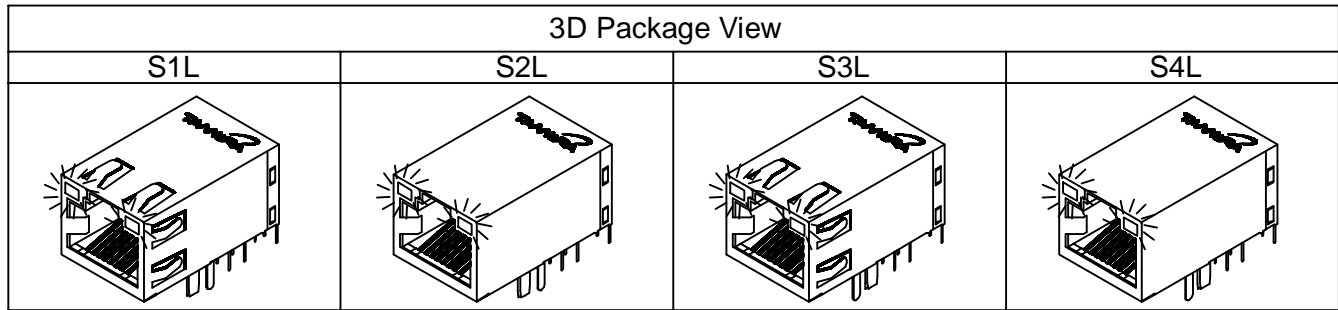
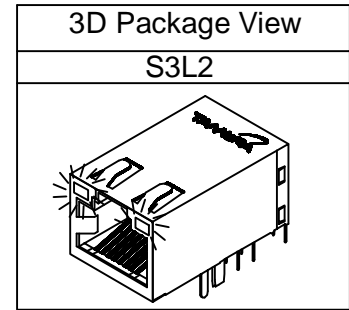


# RJ45 Integrated Connector

## 10/100 Base-TX, Single Port, Through Hole, with LED

**Features:**

1. Meets IEEE 802.3 and ANSI X3.263
2. Operating Temperature: 0°C to +85°C
3. 1500Vrms Isolation
4. Enhanced Common Mode Attenuation for maximum EMI Suppression
5. Full Product Qualification Tests



Product Selection													
#	P/N	Row X Port	Package Style	Schematic Identification									
				Auto Xfmr	Input Pins-out		Output Pins-out		RTN	Turn Ratio TX Only	SCH #	LED Yellow	LED Green and/or Orange
1	TIC-L033-11	1x1	S3L	X	2,1,3	4,6,5	1,4,5,2	3,7,8,6	Shd	1ct:1ct	9L	7,8	9,10*
2	TIC-L034-11	1x1	S4L	X	2,1,3	4,6,5	1,4,5,2	3,7,8,6	Shd	1ct:1ct	9L	7,8	9,10*
3	TIC-L035-11	1x1	S3L2	X	2,1,3	4,6,5	1,4,5,2	3,7,8,6	Shd	1ct:1ct	9L	7,8	9,10*
4	TIC-L036-11	1x1	S2L	X	1,3,2	7,6,8	1,4,5,2	3,7,8,6	4,5	1ct:1ct	6L	10,9	11,12*
5	TIC-L037-11	1x1	S2L	X	1,3,2	7,6,8	1,4,5,2	3,7,8,6	4,5, Shd	1ct:1ct	6L1	9,10	11,12*
6	TIC-L040-11	1x1	S2L	X	1,3,2	7,6,8	1,4,5,2	3,7,8,6	4,5,	1ct:1ct	6L3	11,12	10,9
7	TIC-L038-11	1x1	S1L	X	1,3,2	7,6,8	1,4,5,2	3,7,8,6	4,5	1ct:1ct	6L3	11,12	9,10
8	TIC-L039-11	1x1	S1L	X	1,3,2	7,6,8	1,4,5,2	3,7,8,6	4,5, Shd	1ct:1ct	6L4	11,12	9,10

RCV turn ratio is 1ct:1ct

\* Bi-directional LEDs, green and orange. Single LED is green.

Package Identification				
Package #	Package Style	Size LWH		Package Identification
		inches	mm	
S1L	Single Port	1.005 x 0.661 x 0.531	25.53 x 16.80 x 13.50	6 Spring taps, 3 Pin -Rows Plastic Mounting tap - Shield Mounting GND tap
S2L	Single Port	1.005 x 0.661 x 0.531	25.53 x 16.80 x 13.50	No Spring taps, 3 Pin -Rows Plastic Mounting tap - Shield Mounting GND tap
S3L2	Single Port	1.005 x 0.661 x 0.531	25.53 x 16.80 x 13.50	2 Spring taps, 2 Pin -Rows Shield Mounting GND tap - Plastic Mounting tap
S3L	Single Port	1.005 x 0.661 x 0.531	25.53 x 16.80 x 13.50	6 Spring taps, 2 Pin -Rows Shield Mounting GND tap - Plastic Mounting tap
S4L	Single Port	1.005 x 0.661 x 0.531	25.53 x 16.80 x 13.50	No Spring taps, 2 Pin -Rows Shield Mounting GND tap - Plastic Mounting tap



# RJ45 Integrated Connector

## 10/100 Base-TX, Single Port, Through Hole, with LED

Package Information							
Quantity			Weight			Size	
qty/tray ( pcs )	qty/box ( pcs )	qty/carton ( pcs )	weight/pcs ( g )	weight/box ( kg )	weight/carton ( kg )	box size ( cm )	carton size ( cm )
50	250	1000	7.2	3.3	14.2	37.5x25.0x20.5	53.5x40.0x44.5

Electrical Specification @ 25 °C								
Insertion Loss (dB Max)	Return Loss (dB Min)			CMRR (dB Min)	Crosstalk (dB Min)	OCL ( $\mu$ H Min)	Hipot (Vrms)	Impedance ( $\Omega$ )
1-100 MHz	1-30 MHz	60 MHz	80 MHz	1-100 MHz	1-100 MHz	8mA Dc Bias	1 minute	
1	-18	-16	-12	-30	-35	350	1500	100

Mechanical Material Specification									
Contact							Plastic Part		Shell
RJ Contact				RJ Joint Contact and LED Contact			RJ Housing	Set Housing & Insert	Stainless SUS 304-1/2H
Contact Material	Contact Area	Solder Tail Area	Under- plating	Contact Material	Solder Tail Area	Under- plating			
Phosphor Bronze	Gold	Tin/Lead (9:1)	Nickel	Brass	Tin/Lead (9:1)	Nickel	Thermoplastic PC Transparent	Thermoplastic PA6T, Black	
0.35 mm thick	30 $\mu$ " Min.	100 $\mu$ " Min.	50 $\mu$ " Min.	0.35 mm thick	100 $\mu$ " Min.	50 $\mu$ " Min.	UL 94V-0 E45587 General Electric Grade: 940A	UL 94V-0 E52579(M) Mitsui P.I. Grade: CH230N	0.20 mm thick

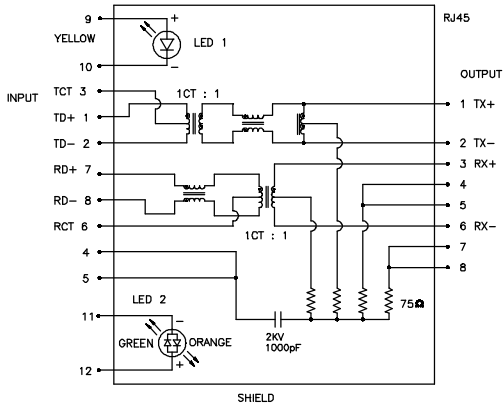
Product Qualification Tests	
Test #	Test Description
1	Product Performance: Complete Electrical Test, Mechanical Measurements and Visual Inspection
2	Low Level Contact Resistance
3	Dielectric Strength
4	Insulation Resistance
5	Vibration
6	Mechanical Shock
7	Durability (Repeated mating / unmating)
8	Solderability
9	Thermal Shock
10	Humidity Temperature Cycling



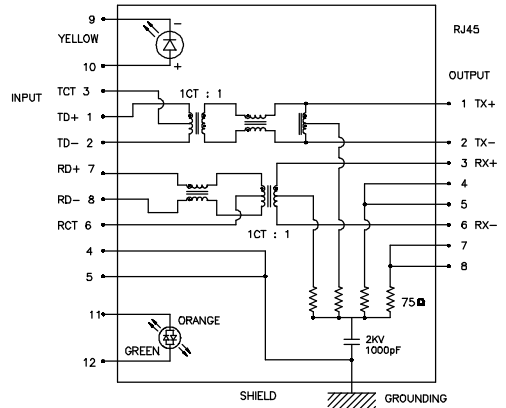
# RJ45 Integrated Connector

## 10/100 Base-TX, Single Port, Through Hole, with LED

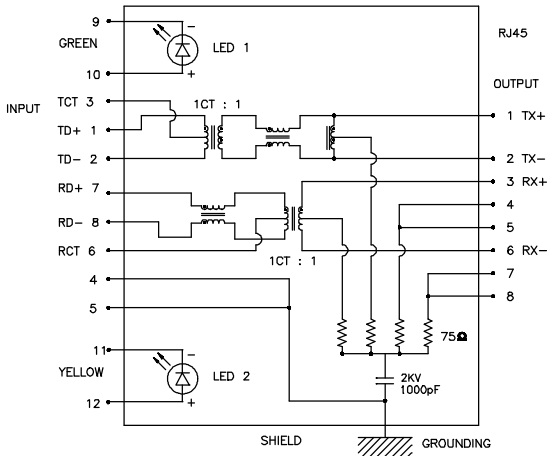
### Schematic 6L



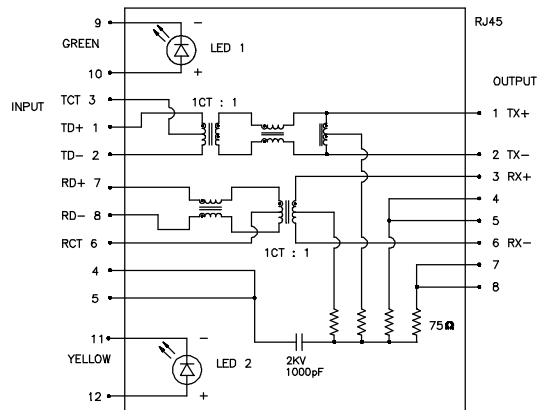
### Schematic 6L1



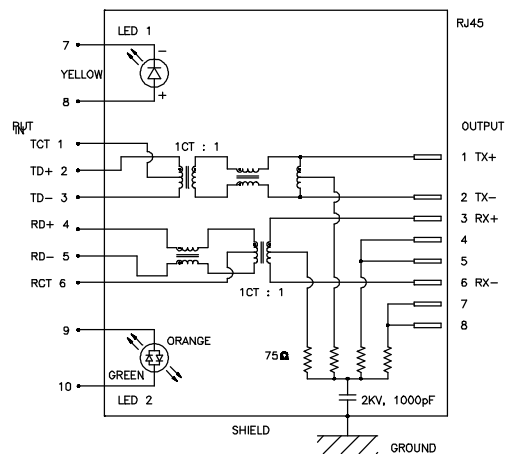
### Schematic 6L4



### Schematic 6L3



### Schematic 9L

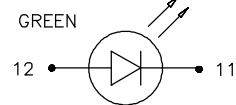
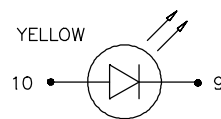
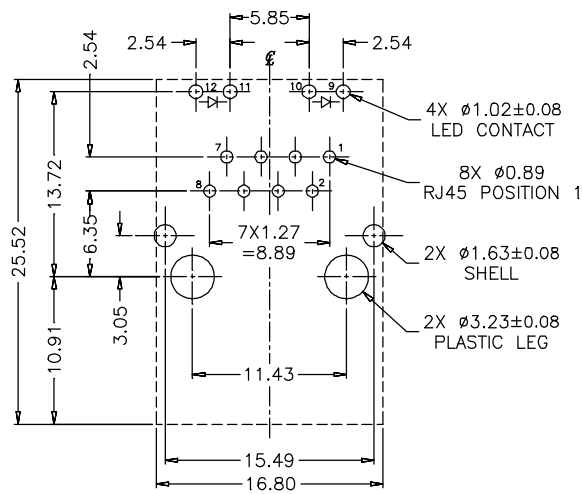
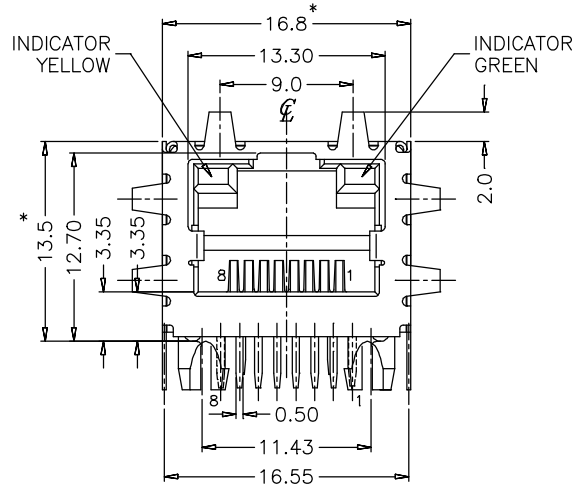
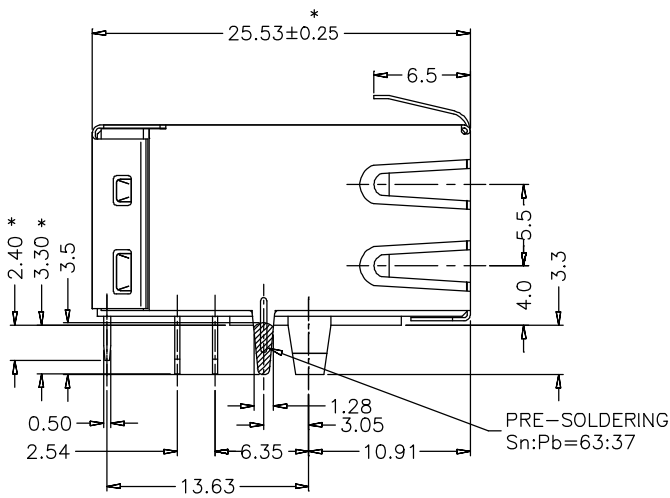
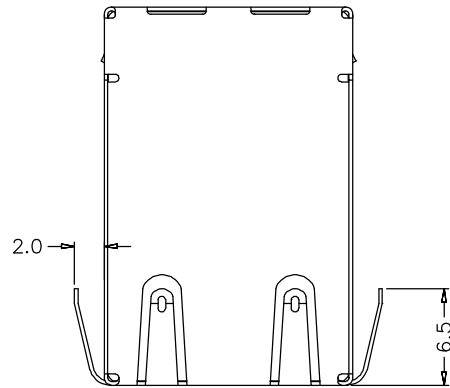


# RJ45 Integrated Connector

## 10/100 Base-TX, Single Port, Through Hole, with LED

### Package S1L

GENERAL TOLERANCE  
 .XX ±0.13  
 .X ±0.25



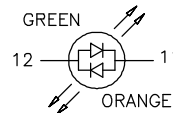
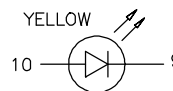
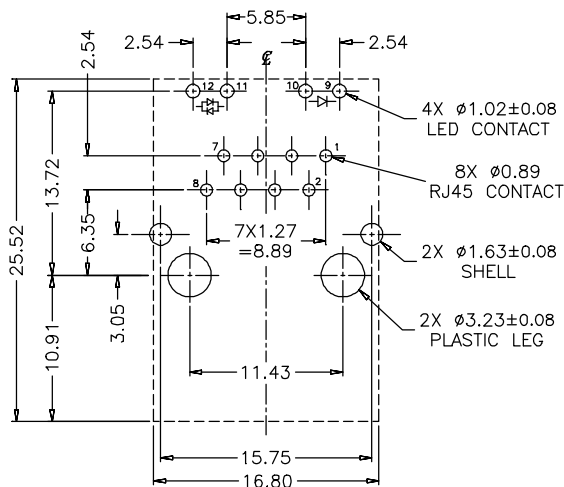
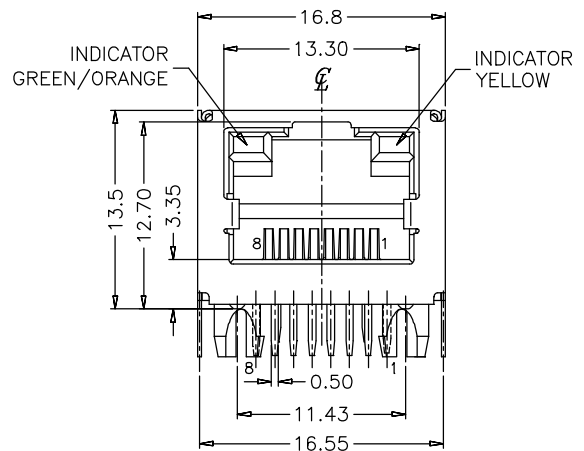
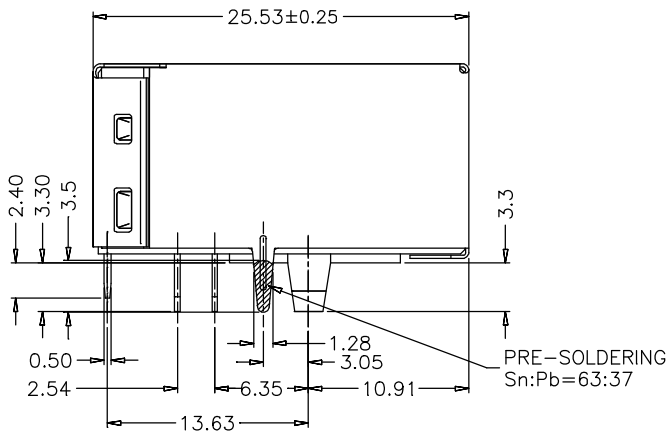
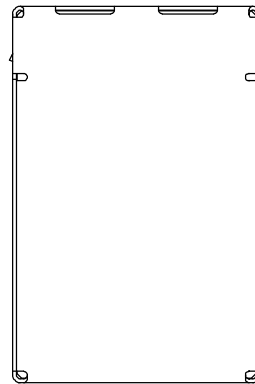
RECOMMENDED PCB LAYOUT  
 COMPONENT SIDE PCB THICKNESS : 1.60mm  
 ALL DIMENSION TOLERANCE ARE ±0.05 UNLESS OTHERWISE SPECIFIED

# RJ45 Integrated Connector

## 10/100 Base-TX, Single Port, Through Hole, with LED

### Package S2L

GENERAL TOLERANCE  
 .XX ±0.13  
 .X ±0.25



RECOMMENDED PCB LAYOUT  
 COMPONENT SIDE PCB THICKNESS : 1.60mm  
 ALL DIMENSION TOLERANCE ARE ±0.05 UNLESS OTHERWISE SPECIFIED



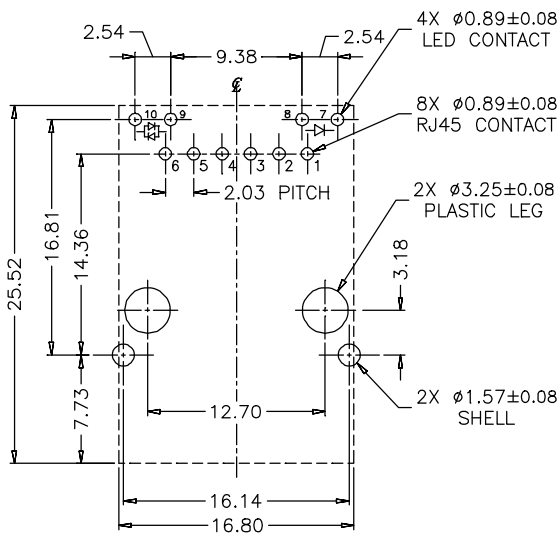
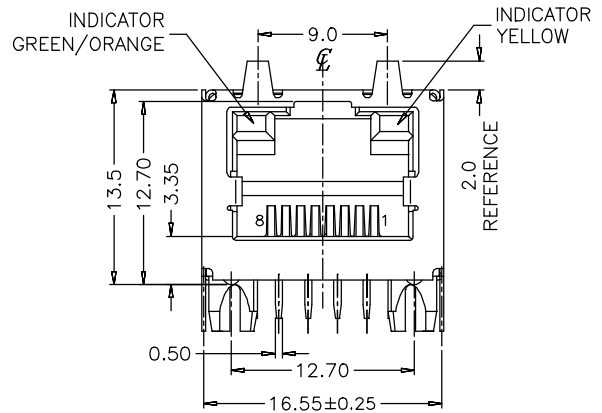
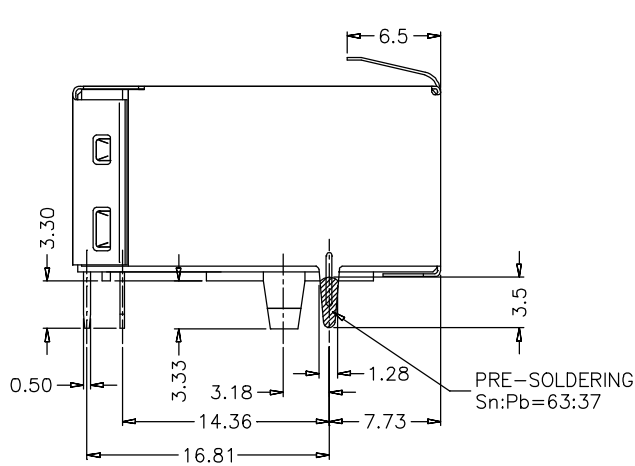
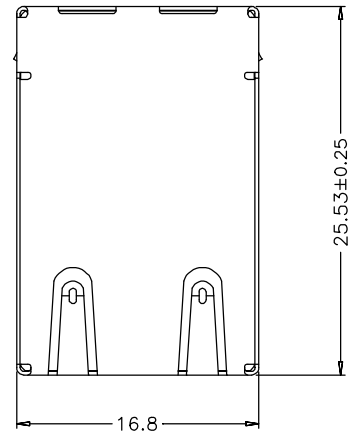


# RJ45 Integrated Connector

## 10/100 Base-TX, Single Port, Through Hole, with LED

### Package S3L2

GENERAL TOLERANCE  
 .XX ±0.13  
 .X ±0.25



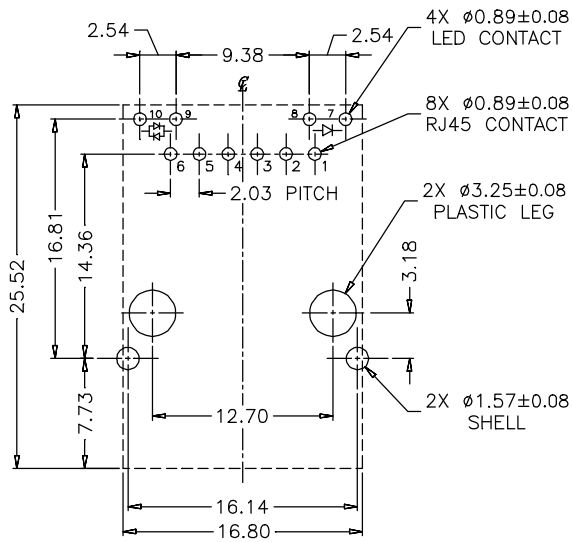
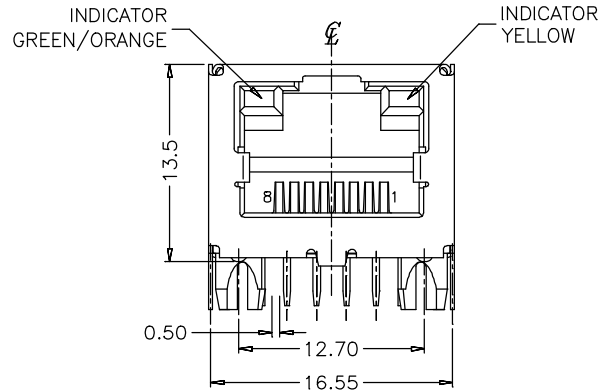
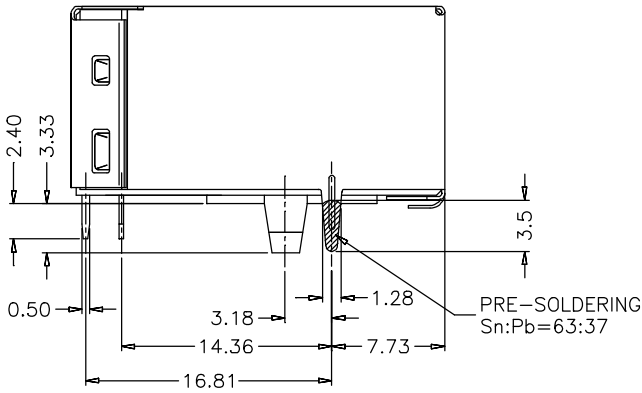
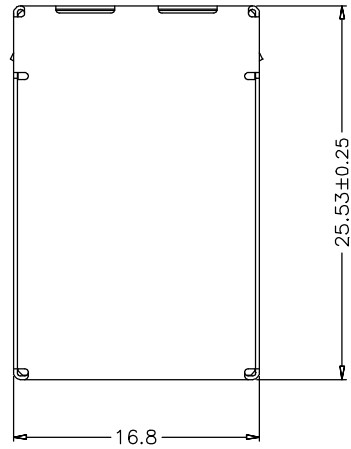
RECOMMENDED PCB LAYOUT  
 COMPONENT SIDE PCB THICKNESS : 1.60mm  
 ALL DIMENSION TOLERANCE ARE ±0.05 UNLESS OTHERWISE SPECIFIED

# RJ45 Integrated Connector

10/100 Base-TX, Single Port, Through Hole, with LED

## Package S4L

GENERAL TOLERANCE  
 .XX ±0.13  
 .X ±0.25



RECOMMENDED PCB LAYOUT  
 COMPONENT SIDE PCB THICKNESS : 1.60mm  
 ALL DIMENSION TOLERANCE ARE ±0.05 UNLESS OTHERWISE SPECIFIED