

Technical Information

iTHERM CompactLine TM311

Compact thermometer, Pt100, 4-wire connection, class A

Optionally with integrated IO-Link and 4 to 20 mA transmitter, PC programmable



Applications

- Developed for universal use in hygienic and aseptic applications in the food & beverages and pharmaceutical industries, and for optimum standardization for machine and skid builders.
- Measuring range : -50 to +200 °C (-58 to +392 °F)
- Pressure range: up to 50 bar (725 psi)
- Protection class: IP69
- Output
 - Without electronics: Pt100 (4-wire connection)
 - With electronics: IO-Link, 4 to 20 mA, 1 x PNP switch output (depending on the type of connection)

Your benefits

Quick installation and easy commissioning:

- small, compact design, made entirely of stainless steel
- M12 connection with IP69 protection for easy electrical connection
- Pt100, 4-wire connection or self-detecting, universal output (IO-Link and 4 to 20 mA)
- Can also be ordered with preconfigured measuring range
- Recommended immersion lengths for optimum measurement at the highest level for standardization

Outstanding measurement properties thanks to innovative sensor technology:

- Extremely short response times
- Very accurate even with short immersion lengths
- Sensor-transmitter-matching increases measuring accuracy

Safe operation with certificates and approvals:

- Device safety according to EN 610101-1 and cCSAus
- Electromagnetic compatibility as per NAMUR NE21
- Diagnostics information can be selected according to NAMUR NE43
- Hygiene-compliant design with 3-A mark, EHEDG certification, ASME BPE conformity, FDA, EC 1935/2004, EN 2023/2006, TSE/ADI, GB4806-2016 and GB9685-2016
- Marine approval according to DNV GL

Table of contents

Function and system design	3	Process pressure range	15
Measuring principle	3	Medium - state of aggregation	15
Measuring system	3		
Equipment architecture	4	Mechanical construction	15
Input	4	Design, dimensions	15
Measuring range	4	Weight	23
		Material	23
		Surface roughness	23
		Process connections	24
		Tip shape	30
Output	5	Human interface	31
Output signal	5	Operating concept	31
Switching capacity	5	Local operation	31
Switch output	5	Local display	32
Failure information	5	Remote operation	32
Load	5		
Linearization/transmission behavior	6	Certificates and approvals	32
Damping	6	MTBF	32
Input current required	6	Hygiene standard	32
Maximum current consumption	6	Materials in contact with food/product (FCM)	32
Switch-on delay	6	CRN approval	32
Protocol-specific data	6	CRN approval	32
Write protection for device parameters	6	Surface roughness	32
		Material resistance	33
Power supply	7	Ordering information	33
Supply voltage	7		
Power supply failure	7	Accessories	33
Electrical connection	7	Device-specific accessories	33
Overvoltage protection	8	Communication-specific accessories	36
		Service-specific accessories	37
		System components	38
Performance characteristics	8	Documentation	39
Reference operating conditions	8		
Maximum measured error	8	Registered trademarks	39
Long-term drift	9		
Operating influences	10		
Device temperature	10		
Response time T_{63} and T_{90}	10		
Electronics response time	10		
Sensor current	10		
Calibration	10		
Installation	11		
Orientation	11		
Installation instructions	11		
Environment	14		
Ambient temperature range	14		
Storage temperature	14		
Operating altitude	14		
Climate class	14		
Degree of protection	14		
Shock and vibration resistance	14		
Electromagnetic compatibility (EMC)	14		
Electrical safety	14		
Process	15		
Process temperature range	15		
Thermal shock	15		

Function and system design

Measuring principle

Resistance thermometer (RTD):

This insert uses a Pt100 according to IEC 60751 as the temperature sensor. The temperature sensor is a temperature-sensitive platinum resistor with a resistance of 100 Ω at 0 °C (32 °F) and a temperature coefficient $\alpha = 0.003851 \text{ } ^\circ\text{C}^{-1}$.

Thin film resistance sensors (TF):


A very thin, ultrapure platinum layer, approx. 1 μm thick, is vaporized in a vacuum on a ceramic substrate and then structured photolithographically. The platinum conductor paths formed in this way create the measuring resistance. Additional covering and passivation layers are applied and reliably protect the thin platinum layer from contamination and oxidation, even at high temperatures. The primary advantages of thin film temperature sensors are their smaller sizes and better vibration resistance.

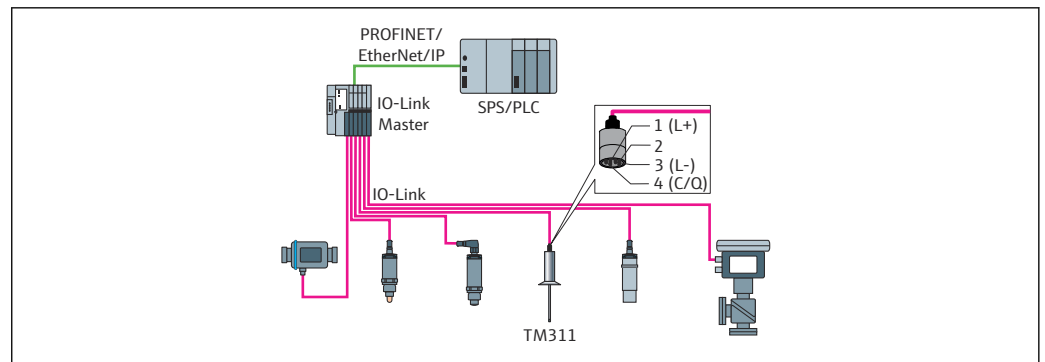
Measuring system

The compact thermometer measures the process temperature with a Pt100 sensor element (class A, 4-wire). An optional built-in transmitter converts the Pt100 input signal. The version of the device with integrated electronics automatically detects the connection version (IO-Link or 4 to 20 mA).

A broad portfolio of optimized components for the temperature measuring point is available to ensure seamless integration of the measuring point:

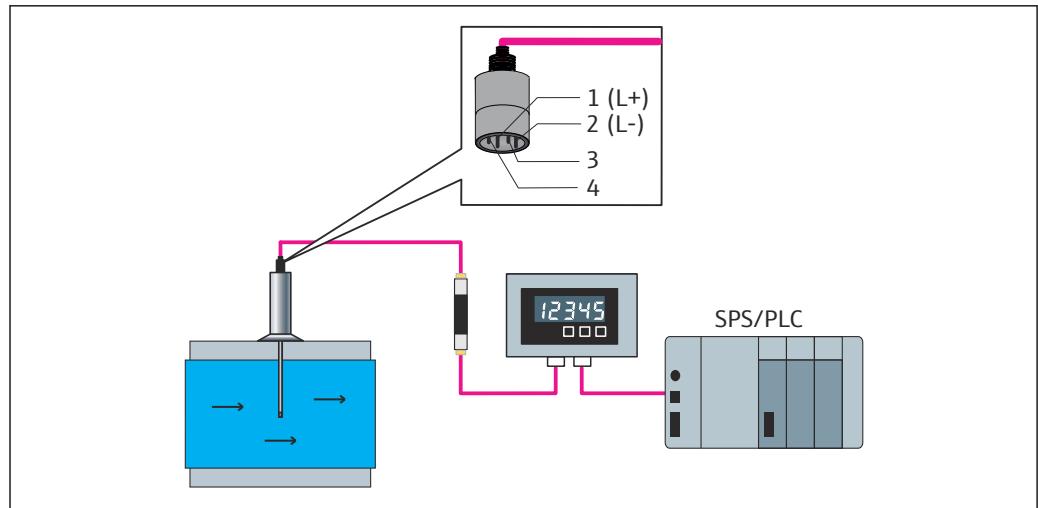
- Power supply unit/barrier
- Display units
- Overvoltage protection
- IO-Link master
- IO-Link configuration tool

 For more detailed information, see the brochure "System Products and Data Managers - Solutions for the loop (FA00016K/EN)".



 1 M12 connection with IO-Link communication mode

A0039767



A0039765

2 M12 connection with 4 to 20 mA communication mode, RIA15 indicator and RN22/RN42 active barrier.

Equipment architecture

Design	Options
	<p>1: Electrical connection, output signal 2: Transmitter housing</p> <p>3: Extension neck</p> <p>4: Process connection → 24</p> <p>5: Thermowell</p> <p>6: Insert with: 6a: iTHERM TipSens 6b: Pt100 (TF), basic</p> <p>i Your benefits:</p> <ul style="list-style-type: none"> ▪ M12, 4-pin connector, reduced cost and effort, incorrect wiring is prevented ▪ Optimum protection, IP69 as standard ▪ Compact, integrated transmitter (IO-Link and 4 to 20 mA) <p>Optionally available if process temperature is too high for the electronics</p> <p>Over 50 different versions for industrial, hygienic and aseptic applications.</p> <ul style="list-style-type: none"> ▪ Versions with and without thermowell (insert in direct contact with process) ▪ Thermowell diameter 6 mm and optimized T-pieces and elbow pieces <p>i Your benefits:</p> <ul style="list-style-type: none"> ▪ iTHERM TipSens - insert with shortest response times: <ul style="list-style-type: none"> ▪ Insert: $\varnothing 3$ mm ($\frac{1}{8}$ in) or $\varnothing 6$ mm ($\frac{1}{4}$ in) ▪ Fast, highly accurate measurements, delivering maximum process safety and control ▪ Quality and cost optimization ▪ Minimization of necessary immersion length: better product protection thanks to improved process flow ▪ Pt100 (TF), basic ▪ Excellent cost-performance ratio

A0039771

Input

Measuring range	Pt100 (TF) basic	-50 to +150 °C (-58 to +302 °F)
	iTHERM TipSens	-50 to +200 °C (-58 to +392 °F)

Output

Output signal

Order code 020, option A

Sensor output	Pt100, 4-wire connection, class A
----------------------	-----------------------------------

Order code 020, option B

Analog output	4 to 20 mA; variable measuring range
Digital output	C/Q (IO-Link or switch output)

Order code 020, option C

Analog output	4 to 20 mA; measuring range 0 to 150 °C (32 to 302 °F)
Digital output	C/Q (IO-Link or switch output)

Switching capacity

- 1 × PNP switch output
- Switch state ON $I_a \leq 200$ mA; switch state OFF $I_a \leq 10$ μ A
- Switch cycles > 10 000 000
- Voltage drop PNP ≤ 2 V
- Overload protection
 - Automatic load testing of switching current
 - If a current of over 220 mA flows in the ON switch state, the device switches to a safe state
 - Diagnostic message **Overload at switch output**
- Switch functions
 - Hysteresis or window function
 - NC contact or NO contact
- No pull-down resistor is integrated in the device for the switch output.

Switch output

Response time ≤ 100 ms

Failure information

Failure information is generated if the measuring information is missing or not valid. The device displays the three diagnostic messages with the highest priority.

In the IO-Link mode, the device transmits all the failure information digitally.

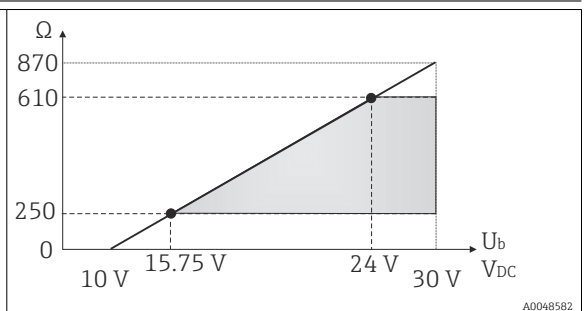
In the 4 to 20 mA mode, the device transmits the failure information according to NAMUR NE43:

Switch output	The switch output switches to open in the fault state.
---------------	---

Underranging	Linear drop from 4.0 to 3.8 mA
Overranging	Linear increase from 20.0 to 20.5 mA
Failure e.g. sensor defective	≤ 3.6 mA (low) or ≥ 21 mA (high) can be selected The high alarm setting can be set between 21.5 mA and 23 mA, thus providing the flexibility needed to meet the requirements of various control systems.

Load

$$R_{b \max} = (U_{b \max} - 10 \text{ V}) / 0.023 \text{ A (current output)}$$



Linearization/transmission behavior Temperature - linear

Damping

Configurable sensor input damping	0 to 120 s
Factory setting	0 s

Input current required

- ≤ 3.5 mA for 4 to 20 mA
- ≤ 9 mA for IO-Link

Maximum current consumption ≤ 23 mA for 4 to 20 mA

Switch-on delay 2 s

Protocol-specific data**IO-Link information**

IO-Link is a point-to-point connection for communication between the device and an IO-Link master. The IO-Link communication interface enables direct access to the process and diagnostic data. It also provides the option of configuring the device while in operation.

The device supports the following features:

IO-Link specification	Version 1.1
IO-Link Smart Sensor Profile 2nd Edition	Supported: <ul style="list-style-type: none"> ■ Identification ■ Diagnosis ■ Digital Measuring Sensor (as per SSP type 3.1)
SIO mode	Yes
Speed	COM2; 38.4 kBaud
Minimum cycle time	10 ms
Process data width	4 byte
IO-Link data storage	Yes
Block configuration according to V1.1	Yes
Device operational	The device is operational 0.5 s after the supply voltage is applied (first valid measured value after 2 s)

Device description

In order to integrate field devices into a digital communication system, the IO-Link system needs a description of the device parameters, such as output data, input data, data format, data volume and supported transfer rate.

This data is available in the device description (IODD¹⁾), which is provided to the IO-Link master via generic modules when the communication system is commissioned.



The IODD can be downloaded as follows:


- Endress+Hauser: www.endress.com
- IODDfinder: <http://ioddfinder.io-link.com>


Write protection for device parameters

Software write protection is implemented using system commands.

1) IO Device Description

Power supply


Supply voltage	Electronic version	Supply voltage
	IO-Link/ 4 to 20 mA	$U_b = 10 \text{ to } 30 \text{ V}_{DC}$, protected against reverse polarity IO-Link communication is guaranteed only if the supply voltage is at least 15 V.  If the supply voltage is < 15 V, the device displays a diagnostic message and deactivates the switch output.

 The device must be operated with a type-examined transmitter power supply unit. Additional overvoltage protection is required for marine applications.

Power supply failure


- To meet electrical safety according to CAN/CSA-C22.2 No. 61010-1 or UL 61010-1, the device may only be powered by a power supply unit with a limited energy electric circuit in accordance with UL/EN/IEC 61010-1 chapter 9.4 or Class 2 according to UL 1310, "SELV or Class 2 circuit".
- Behavior in the event of overvoltage (> 30 V)
The device works continuously up to 35 V_{DC} without any damage. If the supply voltage is exceeded, the specified characteristics are no longer guaranteed.
- Behavior in the event of undervoltage
If the supply voltage falls below the minimum value $\sim 7 \text{ V}$, the device switches off in a defined manner (status as if not supplied with power).

Electrical connection

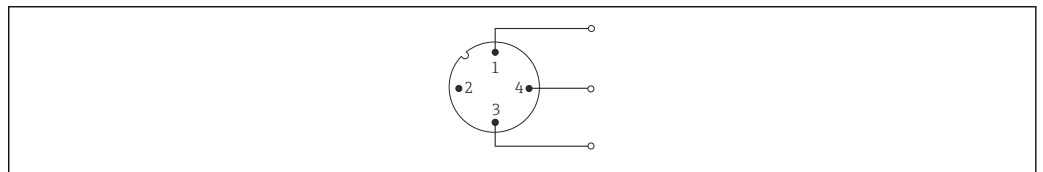
 According to the 3-A Sanitary Standard and the EHEDG, electrical connecting cables must be smooth, corrosion-resistant and easy to clean.

M12 plug with 4 pins and "A" coding, in accordance with IEC 61076-2-101


- ▶ Do not overtighten the M12 plug, as this could damage the device. Maximum torque: 0.4 Nm (M12 knurl)

 In the version with electronics, the device function is defined by the pin assignment of the M12 connector. Communication is either IO-Link or 4 to 20 mA.

IO-Link operating mode

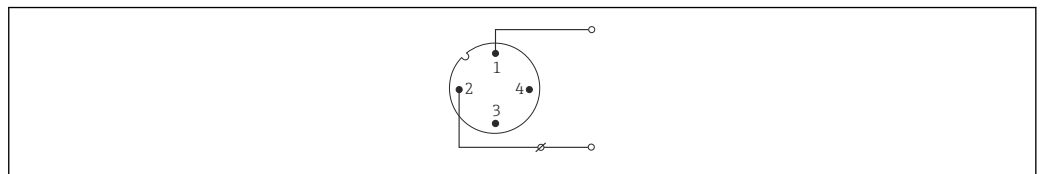


A0040342


 3 Pin assignment, device plug

- 1 Pin 1 - power supply 15 to 30 V_{DC}
- 2 Pin 2 - not used
- 3 Pin 3 - power supply 0 V_{DC}
- 4 Pin 4 - C/Q (IO-Link or switch output)

4 to 20 mA operating mode

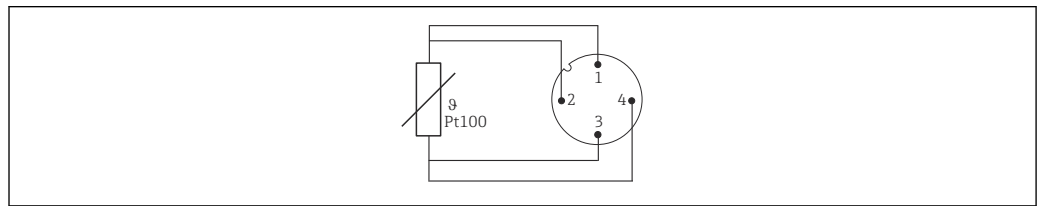


A0040343

 4 Pin assignment, device plug

- 1 Pin 1 - power supply 10 to 30 V_{DC}
- 2 Pin 2 - power supply 0 V_{DC}
- 3 Pin 3 - not used
- 4 Pin 4 - not used

Without electronics



A0040344

5 Pin assignment of device plug: Pt100, 4-wire connection

Overvoltage protection

To protect against overvoltage in the power supply and signal/communication cables for the thermometer electronics, the manufacturer offers the HAW562 surge arrester for DIN rail mounting.

For more detailed information, see Technical Information HAW562 surge arrester (TI01012K).

Performance characteristics

Reference operating conditions	Adjustment temperature (ice bath)	0 °C (32 °F) for sensor
	Ambient temperature range	25 °C ± 3 °C (77 °F ± 5 °F) for electronics
	Supply voltage	24 V _{DC} ± 10 %
	Relative humidity	< 95 %

Maximum measured error

In accordance with DIN EN 60770 and the reference conditions specified above. The measured error data correspond to ±2 σ (Gaussian distribution). The data include non-linearities and repeatability.

Measured error (according to IEC 60751) in °C = 0.15 + 0.002 |T|

i |T| = Numerical value of the temperature in °C without regard to algebraic sign.

Thermometer without electronics

Standard	Description	Measuring range	Measured error (±)	
			Maximum ¹⁾	Based on measured value ²⁾
IEC 60751	Pt100 Cl. A	-50 to +200 °C (-58 to +392 °F)	0.55 °C (0.99 °F)	ME = ± (0.15 °C (0.27 °F) + 0.002 * T)

- 1) Maximum measured error for the specified measuring range.
- 2) Deviations from maximum measured error possible due to rounding.

i In order to obtain the maximum tolerances in °F, the results in °C must be multiplied by a factor of 1.8.

Thermometer with electronics

Standard	Description	Measuring range	Measured error (±)		
			Digital ¹⁾		D/A ²⁾
			Maximum	Based on measured value	
IEC 60751	Pt100 Cl. A	-50 to +200 °C (-58 to +392 °F)	≤ 0.48 °C (0.86 °F)	ME = ± (0.215 °C (0.39 °F) + 0.134% * (MV - LRV))	0.05 % (≅ 8 μA)

- 1) Measured value transmitted via IO-Link.
- 2) Percentages based on the configured span of the analog output signal.

Thermometer with electronics and sensor-transmitter-matching / increased accuracy

Standard	Description	Measuring range	Measured error (±)		
			Digital ¹⁾		D/A ²⁾
			Maximum	Based on measured value	
IEC 60751	Pt100 Cl. A	-50 to +200 °C (-58 to +392 °F)	≤ 0.14 °C (0.25 °F)	ME = ± (0.127 °C (0.23 °F) + 0.0074% * (MV - LRV))	0.05 % (≅ 8 µA)

- 1) Measured value transmitted via IO-Link.
- 2) Percentages based on the configured span of the analog output signal.

MV = measured value

LRV = lower range value of the sensor in question

Total measured error of transmitter at current output = $\sqrt{(\text{Measured error digital}^2 + \text{Measured error D/A}^2)}$

Sample calculation with Pt100, measuring range 0 to +150 °C (+32 to +302 °F), ambient temperature +25 °C (+77 °F), supply voltage 24 V and sensor-transmitter matching:

Measured error digital = 0.127 °C (0.229 °F) + 0.0074 % x [150 °C (302 °F) - (-50 °C (-58 °F))]:	0.14 °C (0.25 °F)
Measured error D/A = 0.05 % x 150 °C (302 °F)	0.08 °C (0.14 °F)
Measured error digital value (IO-Link):	0.14 °C (0.25 °F)
Measured error analog value (current output): $\sqrt{(\text{Measured error digital}^2 + \text{Measured error D/A}^2)}$	0.16 °C (0.29 °F)

Sample calculation with Pt100, measuring range 0 to +150 °C (+32 to +302 °F), ambient temperature +35 °C (+95 °F), supply voltage 30 V:

Measured error digital = 0.215 °C (0.387 °F) + 0.134% x [150 °C (302 °F) - (-50 °C (-58 °F))]:	0.48 °C (0.86 °F)
Measured error D/A = 0.05 % x 150 °C (302 °F)	0.08 °C (0.14 °F)
Influence of ambient temperature (digital) = (35 - 25) x (0.004 % x 200 °C (360 °F)), at least 0.008 °C (0.014 °F)	0.08 °C (0.14 °F)
Influence of ambient temperature (D/A) = (35 - 25) x (0.003 % x 150 °C (302 °F))	0.05 °C (0.09 °F)
Influence of supply voltage (digital) = (30 - 24) x (0.004 % x 200 °C (360 °F)), at least 0.008 °C (0.014 °F)	0.05 °C (0.09 °F)
Influence of supply voltage (D/A) = (30 - 24) x (0.003 % x 150 °C (302 °F))	0.03 °C (0.05 °F)
Measured error digital value (IO-Link): $\sqrt{(\text{Measured error digital}^2 + \text{Influence of ambient temperature (digital)}^2 + \text{Influence of supply voltage (digital)}^2)}$	0.49 °C (0.88 °F)
Measured error analog value (current output): $\sqrt{(\text{Measured error digital}^2 + \text{Measured error D/A}^2 + \text{Influence of ambient temperature (digital)}^2 + \text{Influence of ambient temperature (D/A)}^2 + \text{Influence of supply voltage (digital)}^2 + \text{Influence of supply voltage (D/A)}^2)}$	0.50 °C (0.90 °F)

Long-term drift

	1 month	3 months	6 months	1 year	3 years	5 years
Digital output IO-Link	± 9 mK	± 15 mK	± 19 mK	± 23 mK	± 28 mK	± 31 mK
Current output Measuring range -50 to +200 °C (-58 to +360 °F)	± 2.5 µA	± 4.3 µA	± 5.4 µA	± 6.4 µA	± 8.0 µA	± 8.8 µA

Operating influences The measured error data correspond to $\pm 2 \sigma$ (Gaussian distribution).

Standard	Designation	Ambient temperature Influence (+-) per 1 °C (1.8 °F) change			Supply voltage Influence (+-) per 1 V change		
		Digital ¹⁾		D/A ²⁾	Digital ¹⁾		D/A ²⁾
		Maximum ³⁾	Based on measured value ⁴⁾		Maximum ³⁾	Based on measured value ⁴⁾	
IEC 60751	Pt100 Cl. A	0.014 °C (0.025 °F)	0.004 % * (MV - LRV), min. 0.008 °C (0.0144 °F)	0.003 % ($\approx 0.48 \mu\text{A}$)	0.014 °C (0.025 °F)	0.004 % * (MV - LRV), min. 0.008 °C (0.0144 °F)	0.003 % ($\approx 0.48 \mu\text{A}$)

- 1) Measured value transmitted via IO-Link.
- 2) Percentages based on the configured span of the analog output signal.
- 3) Maximum measured error for the specified measuring range.
- 4) Deviations from maximum measured error possible due to rounding.

MV = Measured value

LRV = Lower range value of relevant sensor

Total measured error of transmitter at current output = $\sqrt{(\text{Measured error digital}^2 + \text{Measured error D/A}^2)}$

Device temperature The displayed device temperature has a maximum measured error of ± 8 K.

Response time T_{63} and T_{90} Tests in water at 0.4 m/s (1.3 ft/s) according to IEC 60751; temperature changes in increments of 10 K. Response times measured for the version without electronics.

Response time without heat transfer paste


Design	Sensor	t ₆₃	t ₉₀
6 mm direct contact, straight tip	Pt100 (TF) basic	5 s	< 20 s
6 mm direct contact, straight tip	iTHERM TipSens	1 s	1.5 s
6 mm thermowell, straight tip (4.3 × 20 mm)	iTHERM TipSens	1 s	3 s

Response time with heat transfer paste ¹⁾

Design	Sensor	t ₆₃	t ₉₀
6 mm thermowell, straight tip (4.3 × 20 mm)	iTHERM TipSens	1 s	2.5 s

- 1) Between the insert and the thermowell

Electronics response time Max. 1 s

 When recording step responses, it is important to bear in mind that the response times of the sensor might be added to the specified times.

Sensor current ≤ 1 mA

Calibration

Calibration of thermometers

Calibration involves comparing the measured values of a device under test (DUT) with those of a more precise calibration standard using a defined and reproducible measurement method. The aim is to determine the deviation of the DUT's measured values from the true value of the measured variable. Two different methods are used for thermometers:

- Calibration at fixed-point temperatures, e.g. at the freezing point of water at 0 °C
- Calibration compared against a precise reference thermometer

The thermometer to be calibrated must display the fixed point temperature or the temperature of the reference thermometer as accurately as possible. Temperature-controlled calibration baths with very homogeneous thermal values, or special calibration furnaces into which the DUT and the reference thermometer, where necessary, can project to a sufficient degree, are typically used for thermometer calibrations.

Sensor-transmitter-matching

The resistance/temperature curve of platinum resistance thermometers is standardized but in practice it is rarely possible to keep to the values precisely over the entire operating temperature range. For this reason, platinum resistance sensors are divided into tolerance classes, such as class A, AA or B as per IEC 60751. These tolerance classes describe the maximum permissible deviation of the specific sensor characteristic curve from the standard curve, i.e. the maximum temperature-dependent characteristic error that is permitted. The conversion of measured sensor resistance values at temperatures in temperature transmitters or other meter electronics is often susceptible to considerable errors as the conversion is generally based on the standard characteristic curve.

When temperature transmitters are used, this conversion error can be reduced significantly by sensor-transmitter-matching:

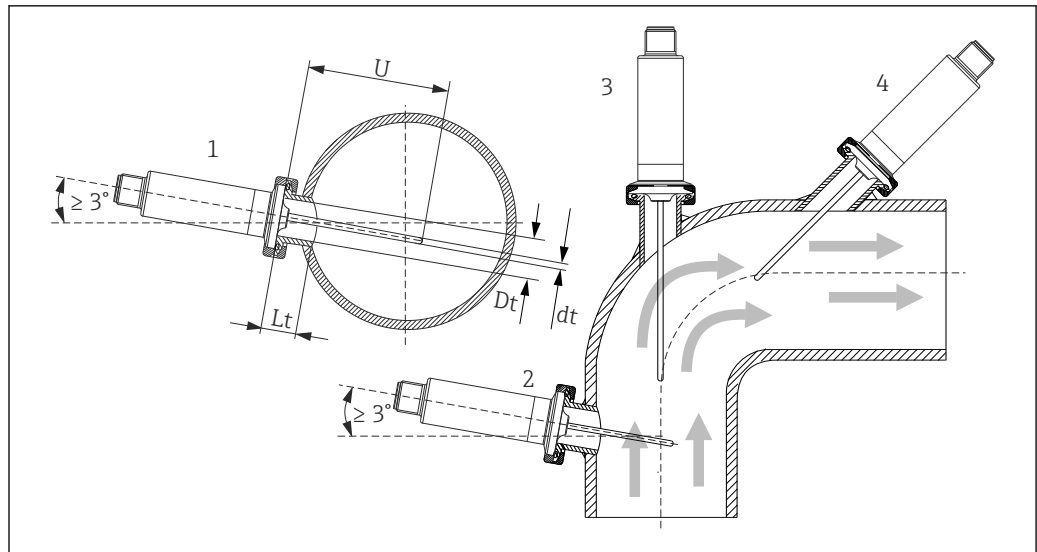
- Calibration at least at three temperatures and determination of the actual temperature sensor characteristic curve
- Adjustment of the sensor-specific polynomial function using appropriate Calendar-van-Dusen (CvD) coefficients
- Configuration of the temperature transmitter with the sensor-specific CvD coefficients for resistance/temperature conversion, and
- another calibration of the reconfigured temperature transmitter with the connected resistance thermometer

The manufacturer offers this sensor-transmitter-matching as a separate service. Furthermore, the sensor-specific polynomial coefficients of platinum resistance thermometers are indicated on every calibration protocol where possible, e.g. at least three calibration points.

For the device, the manufacturer offers standard calibrations at a reference temperature of -50 to $+200$ °C (-58 to $+392$ °F) based on the ITS90 (International Temperature Scale). Calibrations in other temperature ranges are available from your local sales center on request. Calibrations are traceable to national and international standards. The calibration certificate is referenced to the serial number of the device.

Installation

Orientation	No restrictions. However, self-draining in the process must be guaranteed. If there is an opening to detect leaks at the process connection, this opening must be at the lowest possible point.
Installation instructions	<p>The immersion length of the compact thermometer can considerably influence the accuracy. If the immersion length is too short, measurement errors can occur as a result of heat conduction via the process connection and the vessel wall. Therefore, if installing in a pipe, the immersion length should ideally correspond to half of the pipe diameter.</p> <p>Installation possibilities: pipes, tanks or other plant components.</p>



A0040370

6 Installation examples

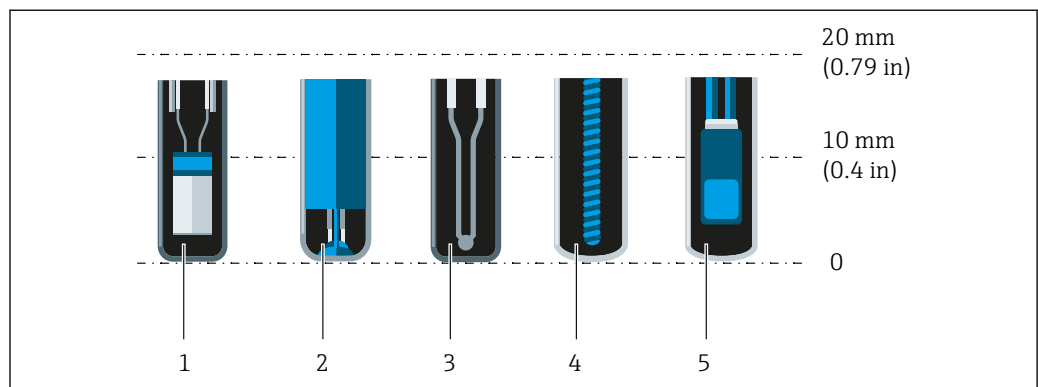
- 1, 2 Perpendicular to flow direction, installed at a minimum angle of 3°, to ensure self-draining
 3 On elbows
 4 Inclined installation in pipes with a small nominal diameter
 U Immersion length

i The requirements of the EHEDG and the 3-A Sanitary Standard must be adhered to.

Installation instruction EHEDG/cleanability: $Lt \leq (Dt-dt)$

Installation instruction 3-A/cleanability: $Lt \leq 2(Dt-dt)$

Pay attention to the exact position of the sensor element in the thermometer tip.



A0041814

- 1 StrongSens or TrustSens at 5 to 7 mm (0.2 to 0.28 in)
 2 QuickSens at 0.5 to 1.5 mm (0.02 to 0.06 in)
 3 Thermocouple (not grounded) at 3 to 5 mm (0.12 to 0.2 in)
 4 Wire wound sensor at 5 to 20 mm (0.2 to 0.79 in)
 5 Standard thin-film sensor at 5 to 10 mm (0.2 to 0.39 in)

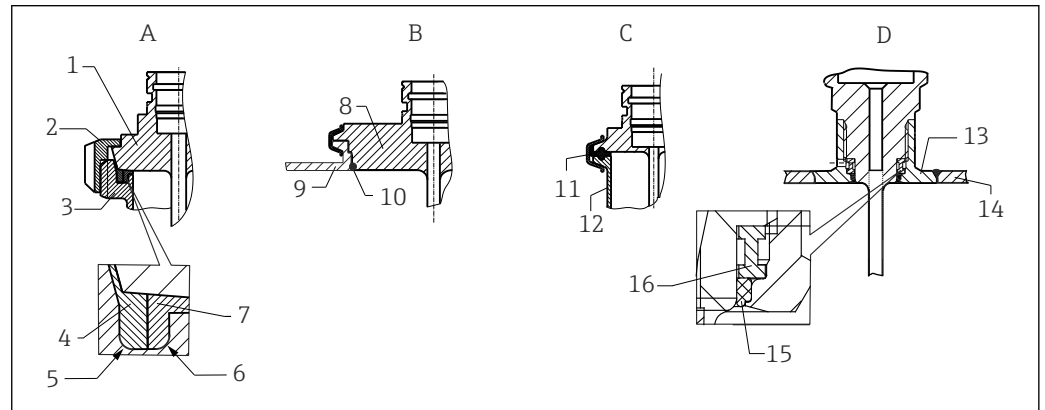
To keep the influence of heat dissipation to a minimum and to achieve the best possible measurement results, 20 to 25 mm (0.79 to 0.98 in) should be in contact with the medium in addition to the actual sensor element.

This results in the following recommended minimum immersion lengths

- TrustSens or StrongSens 30 mm (1.18 in)
- QuickSens 25 mm (0.98 in)
- Wire wound sensor 45 mm (1.77 in)
- Standard thin-film sensor 35 mm (1.38 in)

It is particularly important to take this into consideration for T-pieces, as the immersion length is very short on account of their design, and the measured error is higher as a result. It is therefore recommended to use elbow pieces with QuickSens sensors.

i In the case of pipes with a small nominal diameter, it is advisable for the tip of the thermometer to project well into the process so that it extends past the pipe axis. Installation at an angle (4) could be another solution. When determining the immersion or insertion length, all the parameters of the thermometer and of the medium to be measured must be taken into account (e.g. Flow velocity, process pressure).



7 Detailed installation instructions for hygiene-compliant installation

- A** Milk pipe connection according to DIN 11851, only in conjunction with EHEDG-certified, self-centering sealing ring
- 1 Sensor with milk pipe connection
 - 2 Groove slip-on nut
 - 3 Counterpart connection
 - 4 Centering ring
 - 5 R0.4
 - 6 R0.4
 - 7 Sealing ring
- B** Varivent® process connection for VARINLINE® housing
- 8 Sensor with Varivent connection
 - 9 Counterpart connection
 - 10 O-ring
- C** Clamp according to ISO 2852
- 11 Molded seal
 - 12 Counterpart connection
- D** Process connection Liquiphant-M G1", horizontal installation
- 13 Weld-in adapter
 - 14 Vessel wall
 - 15 O-ring
 - 16 Thrust collar

NOTICE

The following actions must be taken if a sealing ring (O-ring) or seal fails:

- ▶ The thermometer must be removed.
- ▶ The thread and the O-ring joint/sealing surface must be cleaned.
- ▶ The sealing ring or seal must be replaced.
- ▶ CIP must be performed after installation.





In the case of weld-in connections, exercise the necessary degree of care when performing the welding work on the process side:

1. Use suitable welding material.
2. Flush-weld or weld with welding radius ≥ 3.2 mm (0.13 in).
3. Avoid crevices, folds or gaps.
4. Ensure the surface is honed and mechanically polished, $R_a \leq 0.76$ μm (30 μin).

Pay attention to the following when installing the thermometer to ensure that the cleanability is not affected:

1. The installed sensor is suitable for CIP (cleaning in place). Cleaning is performed together with the pipe or tank. In the case of internal tank fixtures using process connection nozzles, it is important to ensure that the cleaning assembly sprays this area directly so that it is cleaned properly.
2. The Varivent® connections enable flush-mounted installation.

Environment

Ambient temperature range	T _a	-40 to +85 °C (-40 to +185 °F)
Storage temperature	T _s	-40 to +85 °C (-40 to +185 °F)
Operating altitude	Up to 2 000 m (6 600 ft) above sea level	
Climate class	In accordance with IEC/EN 60654-1, climate class Dx, class 4K4H	
Degree of protection	As per IEC/EN 60529 IP69  Depends on the degree of protection of the connection cable →  36	
Shock and vibration resistance	The thermometer meets the requirements of IEC 60751, which specifies shock and vibration resistance of 3 g in the 10 to 500 Hz range.	
Electromagnetic compatibility (EMC)	<p>EMC in accordance with all the relevant requirements of the IEC/EN 61326 series and NAMUR Recommendation EMC (NE21). For details, refer to the Declaration of Conformity.</p> <ul style="list-style-type: none"> ▪ Maximum measured error under EMC tests: < 1 % of the span ▪ Interference immunity according to IEC/EN 61326 series, requirements for industrial fields ▪ Interference emission according to IEC/EN 61326 series, Class B equipment <p>IO-Link</p> <p>Only the requirements of IEC/EN 61131-9 are met in I/O-Link mode.</p> <p> The connection between the IO-Link master and thermometer is via an unshielded 3-wire cable, maximum 20 m (65.6 ft) in length.</p> <p>4 to 20 mA</p> <p>Electromagnetic compatibility in accordance with all the relevant requirements of the IEC/EN 61326 series and NAMUR Recommendation EMC (NE21).</p> <p> For more information, see the Declaration of Conformity.</p> <ol style="list-style-type: none"> 1. With a connection cable length of 30 m (98.4 ft): always use a shielded cable. 2. The use of shielded connection cables is generally recommended. 	
Electrical safety	<ul style="list-style-type: none"> ▪ Protection class III ▪ Overvoltage category II ▪ Pollution level 2 	

Process

Process temperature range The thermometer electronics must be protected against temperatures over 85 °C (185 °F) by an extension neck of the appropriate length.

Device version without electronics (order code 020, option A)


Pt100 TF, basic, without extension neck	-50 to +150 °C (-58 to +302 °F)
Pt100 TF, basic, with extension neck	-50 to +150 °C (-58 to +302 °F)
iTHERM TipSens, without extension neck	-50 to +200 °C (-58 to +392 °F)
iTHERM TipSens, with extension neck	-50 to +200 °C (-58 to +392 °F)

Device version with electronics (order code 020, option B, C)

Pt100 TF, basic, without extension neck	-50 to +150 °C (-58 to +302 °F)
Pt100 TF, basic, with extension neck	-50 to +150 °C (-58 to +302 °F)
iTHERM TipSens, without extension neck	-50 to +150 °C (-58 to +302 °F)
iTHERM TipSens, with extension neck	-50 to +200 °C (-58 to +392 °F)

Thermal shock Thermal shock resistance in CIP/SIP process with a temperature increase from +5 to +130 °C (+41 to +266 °F) within 2 seconds.

Process pressure range The maximum possible process pressure depends on various influencing factors, such as the design, process connection and process temperature. Maximum possible process pressures for the individual process connections. → [24](#)


 It is possible to verify the mechanical loading capacity as a function of the installation and process conditions using the online TW Sizing Module for thermowells in the Endress+Hauser Applicator software. → [33](#)

Medium - state of aggregation Gaseous or liquid (also with high viscosity, e.g. yogurt).

Mechanical construction

Design, dimensions All dimensions in mm (in). The design of the thermometer depends on the thermowell version used:

- Thermometer without thermowell
- Thermowell diameter 6 mm (¼ in)
- T-piece and corner-piece thermowell version as per DIN 11865/ASME BPE 2012 for welding in

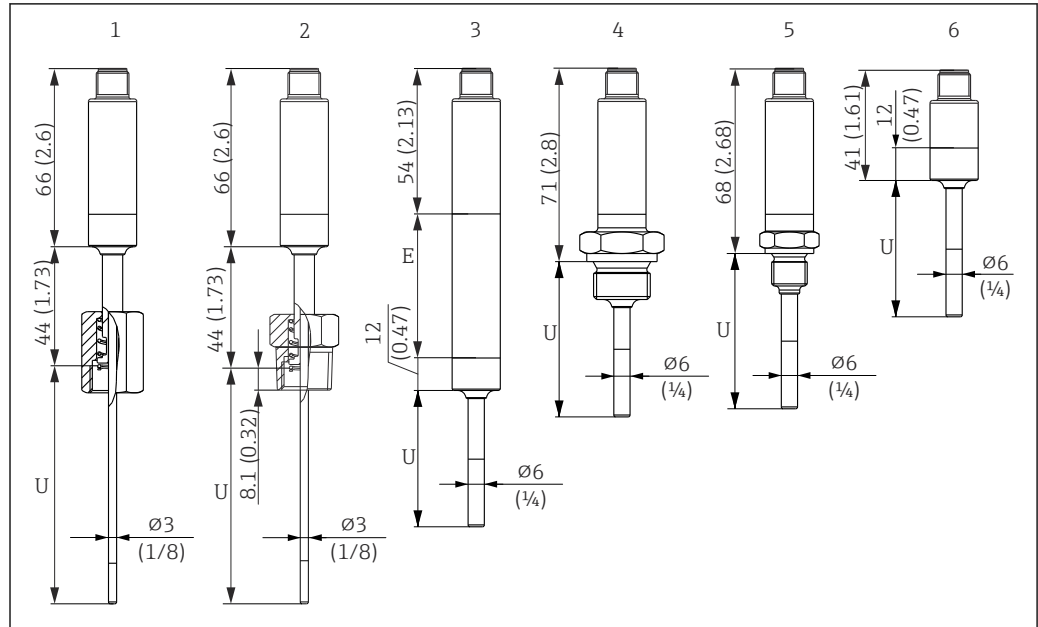
 Various dimensions, such as the immersion length U for example, are variable values and are therefore indicated as items in the following dimensional drawings.

Variable dimensions:

Item	Description
B	Thermowell bottom thickness
E	Extension neck length, optional

Item	Description
T	Length of thermowell lagging, pre-defined, depending on the thermowell version
U	Variable immersion length, depending on the configuration

Without thermowell



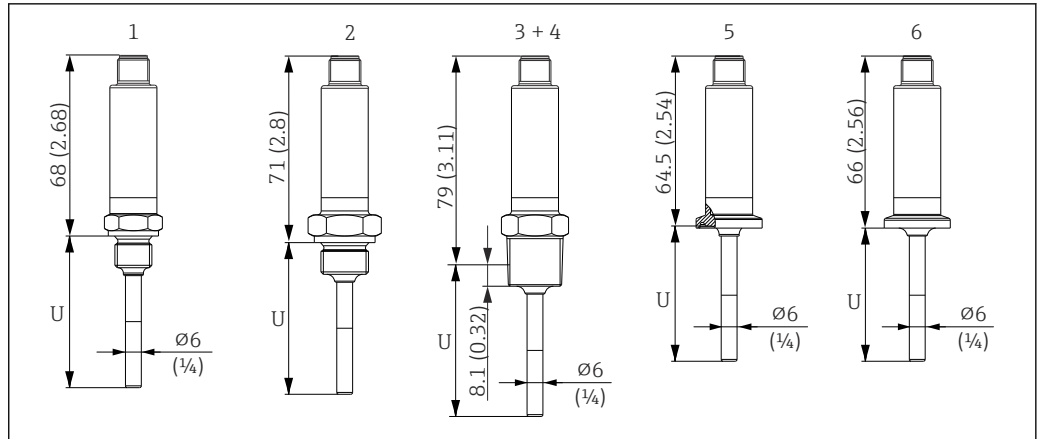
A0040023

- 1 Thermometer with spring-loaded cap-nut, G3/8" thread 3 mm for existing thermowell
- 2 Thermometer with spring-loaded NPT1/2" male thread 3 mm for existing thermowell
- 3 Thermometer without process connection for compression fitting, with extension neck
- 4 Thermometer with G1/2" male thread
- 5 Thermometer with G1/4" male thread
- 6 Thermometer without electronics

i When using an extension neck, the overall length of the device always increases by the length in question, E = 50 mm (1.97 in), regardless of the process connection.

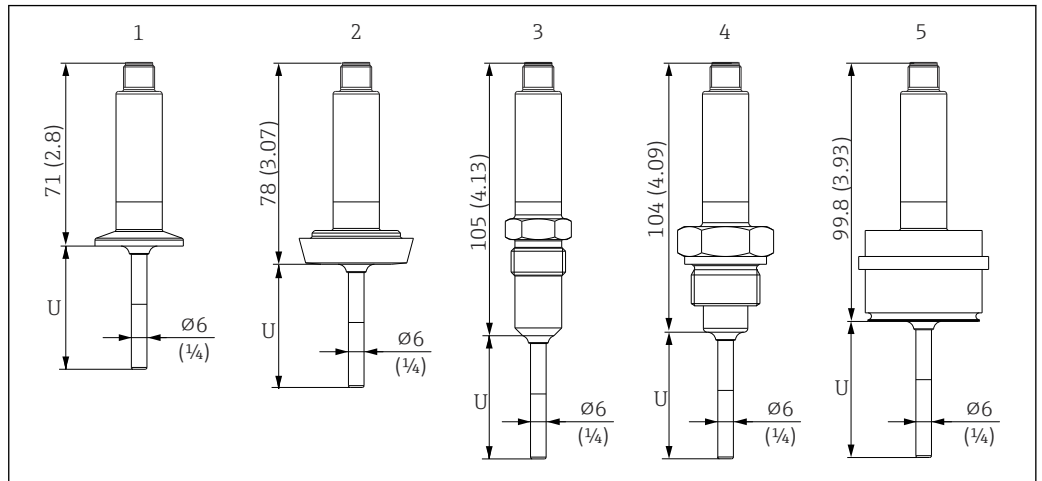
Pay attention to the following equations when calculating the immersion length U for an existing thermowell:

Version 1 (G3/8" cap-nut)	$U = U_{(\text{thermowell})} + T_{(\text{thermowell})} + 3 \text{ mm} - B_{(\text{thermowell})}$
Version 2 (NPT1/2" male thread)	$U = U_{(\text{thermowell})} + T_{(\text{thermowell})} - 5 \text{ mm} (-8 \text{ mm screw-in depth} + 3 \text{ mm spring travel}) - B_{(\text{thermowell})}$



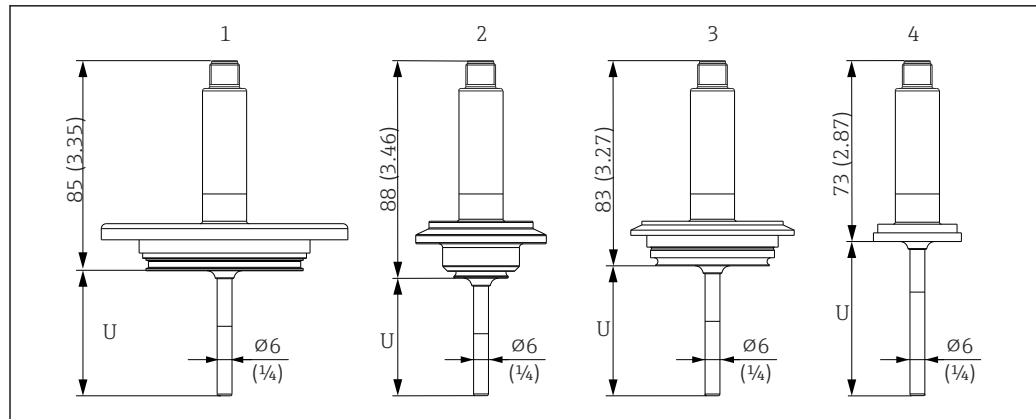
A0040267

- 1 Thermometer with M14 male thread
- 2 Thermometer with M18 male thread
- 3 Thermometer with NPT 1/2" male thread
- 4 Thermometer with NPT 1/4" male thread
- 5 Thermometer with Microclamp, DN18 (0.75")
- 6 Thermometer with Tri-Clamp, DN18 (0.75")



A0040024

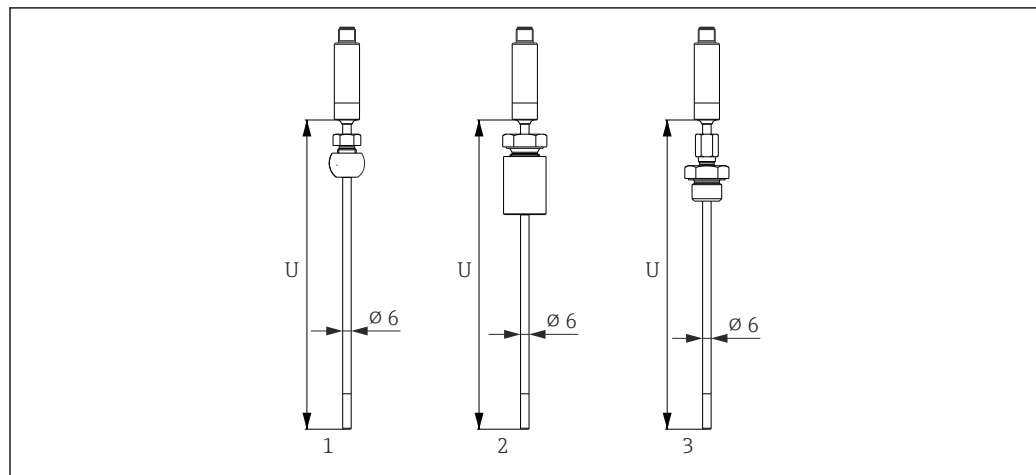
- 1 Thermometer with Clamp ISO2852 for DN12 to 21.3, DN25 to 38, DN40 to 51
- 2 Thermometer with milk pipe connection DIN11851 for DN25/DN32/DN40/DN50
- 3 Thermometer with metal sealing system G 1/2"
- 4 Thermometer with G 3/4" male thread ISO228 for FTL31/33/20/50 Liquiphant adapter
- 5 Thermometer with D45 process adapter



A0040268

- 1 Thermometer with APV in-line, DN50
- 2 Thermometer with Varivent type B, D 31 mm
- 3 Thermometer with Varivent type F, D 50 mm and Varivent type N, D 68 mm
- 4 Thermometer with SMS 1147, DN25/DN38/DN51

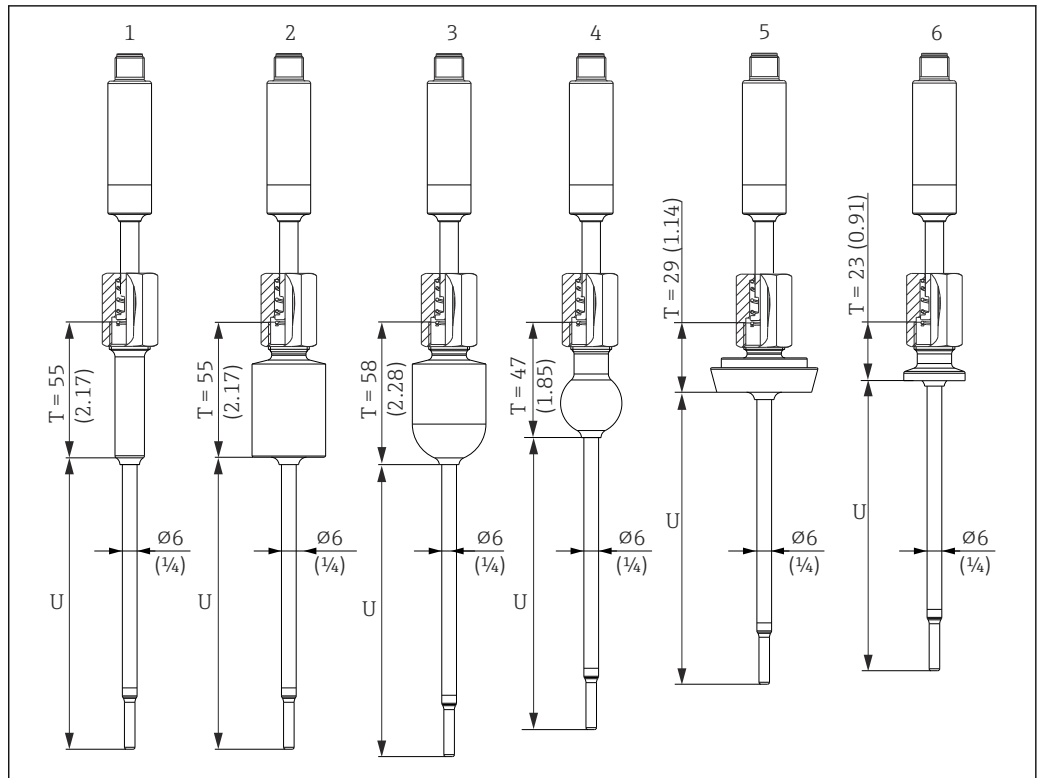
With compression fitting



A0040025

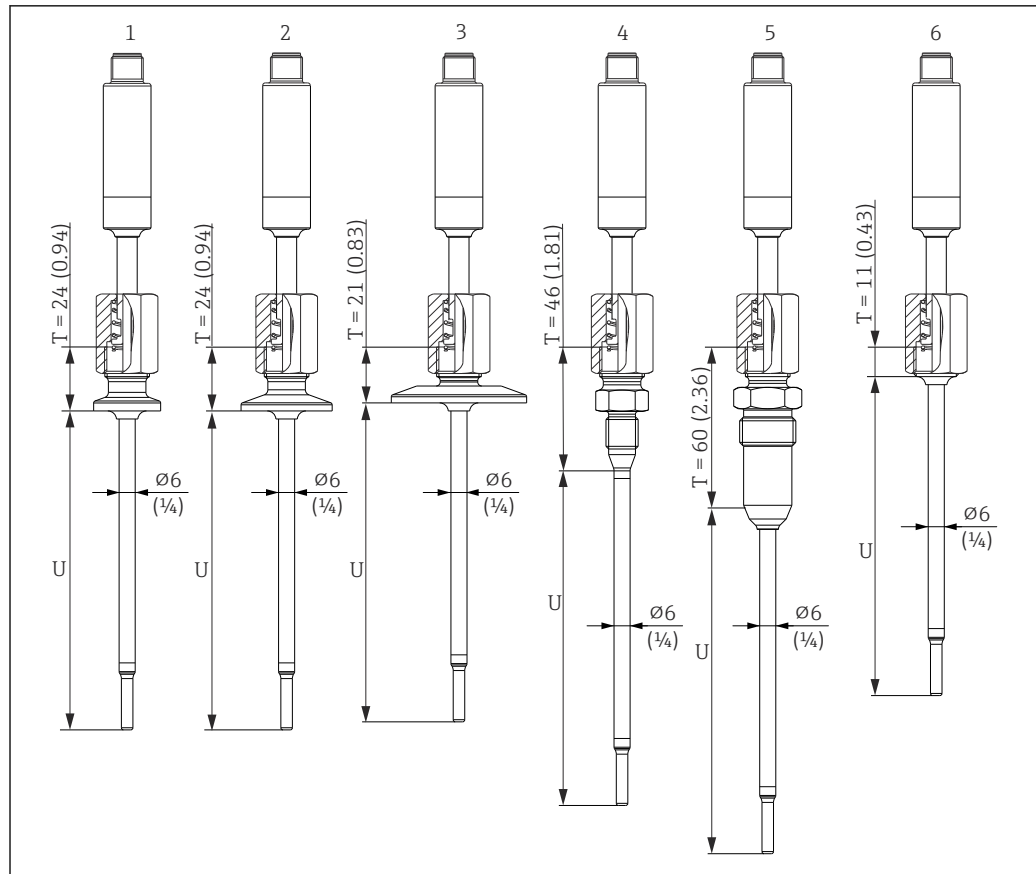
- 1 Thermometer with compression fitting TK40 spherical, PEEK/316L, sleeve, \varnothing 25 mm, for welding in
- 2 Thermometer with compression fitting TK40 cylindrical, Elastosil sleeve, \varnothing 25 mm, for welding in
- 3 Thermometer with compression fitting G 1/2" external thread, TK40-BADA3C, 316L

With thermowell diameter 6 mm (1/4 in)



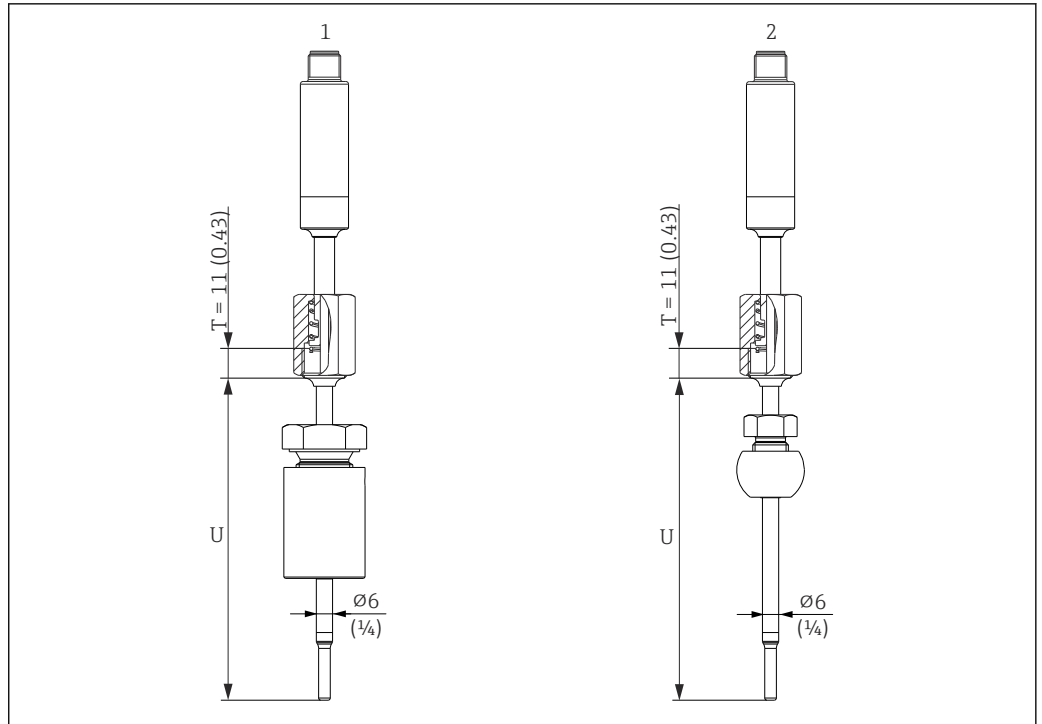
A0040026

- 1 Thermometer with weld-in adapter cylindrical, D 12 × 40 mm/40mm
- 2 Thermometer with weld-in adapter cylindrical, D 30 x 40 mm
- 3 Thermometer with weld-in adapter spherical-cylindrical, D 30 x 40 mm
- 4 Thermometer with weld-in adapter spherical, D 25 mm
- 5 Thermometer with milk pipe connection DIN11851, DN25/DN32/DN40
- 6 Thermometer with Microclamp, DN18 (0.75")



A0040027

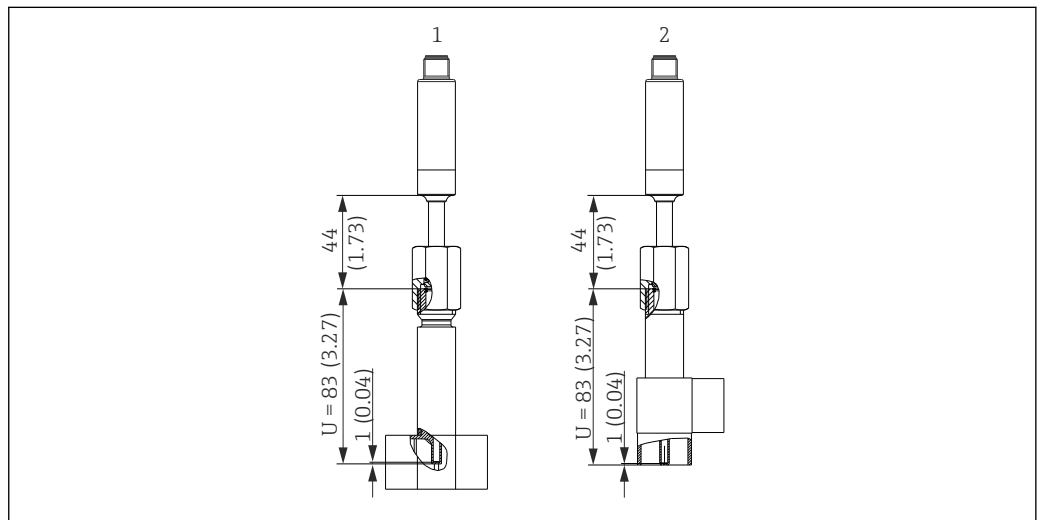
- 1 Thermometer with Tri-Clamp version DN18
- 2 Thermometer with Clamp version DN12 to 21.3
- 3 Thermometer with Clamp version DN25 to 38/DN40 to 51
- 4 Thermometer with metal sealing system version, M12 × 1.5
- 5 Thermometer with metal sealing system version, G½"
- 6 Thermometer without process connection



A0040086

- 1 Thermometer with compression fitting TK40 cylindrical, Elastosil sleeve, Ø30 mm, for welding in
- 2 Thermometer with compression fitting TK40 spherical, PEEK/316L sleeve, Ø25 mm, for welding in

Thermowell version as T-piece or elbow piece



A0040028

- 1 Thermometer with tee thermowell
- 2 Thermometer with elbow thermowell

- Pipe sizes as per DIN 11865 series A (DIN), B (ISO) and C (ASME BPE)
- 3-A mark for nominal diameters ≥ DN25
- IP69 protection
- Material 1.4435+316L, delta ferrite content < 0.5%
- Temperature range -60 to +200 °C (-76 to +392 °F)
- Pressure range PN25 as per DIN11865

i Due to the short immersion length U in the case of small pipe diameters, the use of iTHERM TipSens inserts is recommended.

Possible combinations of the thermowell versions with the available process connections

Process connection and size	Direct contact, 6 mm (¼ in)	Thermowell, 6 mm (¼ in)
Without process connection (for installation with compression fitting)	☑	☑
Process adapter D45	☑	-
Compression fitting		
Thread G½"	☑	☑
Cylindrical Ø30 mm	☑	☑
Spherical Ø25 mm	☑	☑
Thread		
G½"	☑	-
G¼"	☑	-
M14x1.5	☑	-
M18x1.5	☑	-
NPT½"	☑	-
Weld-in adapter		
Cylindrical Ø30 x 40 mm	-	☑
Cylindrical Ø12 x 40 mm	-	☑
Spherical-cylindrical Ø30 x 40 mm	-	☑
Spherical Ø25 mm (0.98 in)	-	☑
Clamps according to ISO 2852		
Microclamp/Tri-clamp DN18 (0.75 in)	☑	☑
DN12 - 21.3	☑	☑
DN25 -38 (1 - 1.5 in)	☑	☑
DN40 - 51 (2 in)	☑	☑
Milk pipe connection according to DIN 11851		
DN25	☑	☑
DN32	☑	☑
DN40	☑	☑
DN50	☑	-
Metal sealing system		
M12x1	-	☑
G½"	☑	☑
Thread according to ISO 228 for Liquiphant weld-in adapter		
G¾" for FTL20, FTL31, FTL33	☑	-
G¾" for FTL50	☑	-
G1" for FTL50	☑	-
APV Inline		
DN50	☑	-
Varivent®		
Type B, Ø31 mm	☑	-
Type F, Ø50 mm	☑	-
Type N, Ø68 mm	☑	-
SMS 1147		

Process connection and size	Direct contact, 6 mm (1/4 in)	Thermowell, 6 mm (1/4 in)
DN25	☑	-
DN38	☑	-
DN51	☑	-

Weight 0.2 to 2.5 kg (0.44 to 5.5 lbs) for standard versions

Material The temperatures for continuous operation specified in the following table are only intended as reference values for use of the various materials in air and without any significant compressive load. The maximum operating temperatures can be reduced considerably in cases where abnormal conditions such as high mechanical load occur or in aggressive media.

Description	Short form	Recommended max. temperature for continuous use in air	Properties
AISI 316L (corresponds to 1.4404 or 1.4435)	X2CrNiMo17-13-2, X2CrNiMo18-14-3	650 °C (1202 °F) ¹⁾	<ul style="list-style-type: none"> ▪ Austenitic, stainless steel ▪ High corrosion resistance in general ▪ Particularly high corrosion resistance in chlorine-based and acidic, non-oxidizing atmospheres through the addition of molybdenum (e.g. phosphoric and sulfuric acids, acetic and tartaric acids with a low concentration) ▪ Increased resistance to intergranular corrosion and pitting
1.4435+316L, delta ferrite < 1% or < 0.5%	With regard to analytical limits, the specifications of both materials (1.4435 and 316L) are met simultaneously. In addition, the delta ferrite content of the parts in contact with the process is limited to <1% or <0.5%. ≤3% for weld seams (in accordance with Basel Standard II)		

1) Can be used to a limited extent up to 800 °C (1472 °F) for low compressive loads and in non-corrosive media. More information is available from the sales organization.

Surface roughness

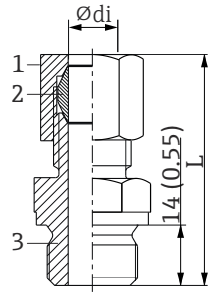
Values for wetted surfaces:

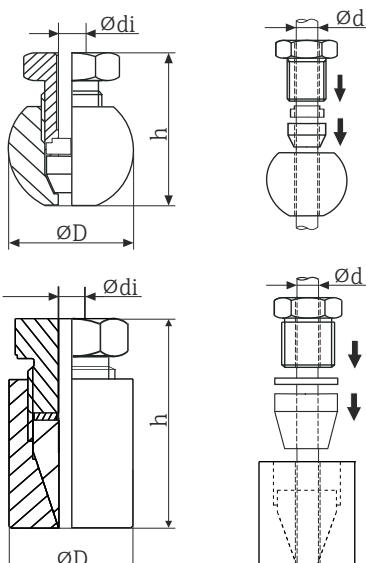
Standard surface, mechanically polished ¹⁾	$R_a \leq 0.76 \mu\text{m} (30 \mu\text{in})$
Mechanically polished ¹⁾ , buffed ²⁾	$R_a \leq 0.38 \mu\text{m} (15 \mu\text{in})$
Mechanically polished ¹⁾ , buffed and electropolished	$R_a \leq 0.38 \mu\text{m} (15 \mu\text{in}) + \text{electropolished}$

- 1) Or equivalent treatment that guarantees R_a max
- 2) Not compliant with ASME BPE

Process connections

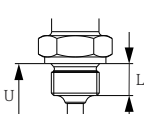
Compression fitting

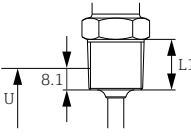
Type TK40	Version	Dimensions			Technical properties
		ϕ_{di}	L	Across flats	
 <p>A0039490</p> <p>1 Nut 2 Clamping sleeve 3 Process connection</p>	G 1/2", ferrule material 316L	6 mm (0.24 in)	Approx. 47 mm (1.85 in)	G 1/2": 27 mm (1.06 in)	<ul style="list-style-type: none"> ▪ $P_{max} = 40$ bar (104 psi) at $T = +200$ °C (+392 °F) for 316L ▪ $P_{max} = 25$ bar (77 psi) at $T = +400$ °C (+752 °F) for 316L Tightening torque = 40 Nm

Type TK40 for weld-in	Version	Dimensions			Technical properties ¹⁾
	Spherical or cylindrical	ϕ_{di}	ϕ_D	h	
 <p>A0017582</p>	Spherical Material of sealing taper PEEK or 316L Thread G 1/4"	6.3 mm (0.25 in) ²⁾	25 mm (0.98 in)	33 mm (1.3 in)	<ul style="list-style-type: none"> ▪ $P_{max} = 10$ bar (145 psi) ▪ T_{max} for PEEK sealing taper = +150 °C (+302 °F), tightening torque = 10 Nm ▪ $P_{max} = 50$ bar (725 psi) ▪ T_{max} for 316L sealing taper = +200 °C (+392 °F), tightening torque = 25 Nm ▪ The TK40 PEEK sealing taper is EHEDG tested and 3-A marked
	Cylindrical Sealing taper material Elastosil® Thread G 1/2"	6.2 mm (0.24 in) ²⁾	30 mm (1.18 in)	57 mm (2.24 in)	<ul style="list-style-type: none"> ▪ $P_{max} = 10$ bar (145 psi) ▪ T_{max} for Elastosil® sealing taper = +150 °C (+302 °F), tightening torque = 5 Nm ▪ The TK40 Elastosil sealing taper is EHEDG tested and 3-A marked

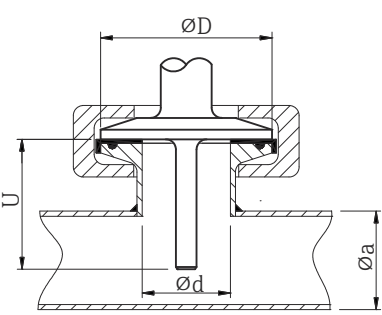
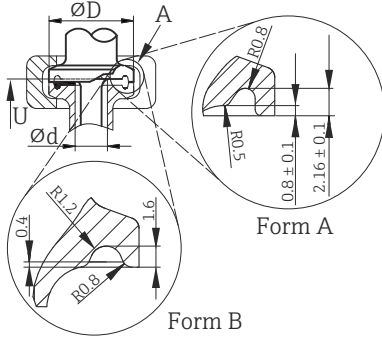
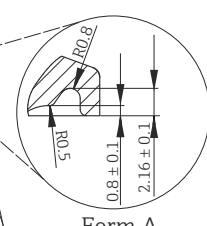
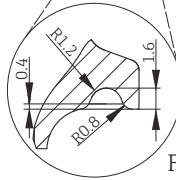
1) All the pressure specifications apply for cyclic temperature load
2) For insert or thermowell diameter $\phi_d = 6$ mm (0.236 in).

Releasable process connection

Type	Version G	Dimensions			Technical properties
		L1 thread length	A	Across flats	
 <p>A0040090</p>	G 1/4" ISO228	16 mm (0.63 in)	25.5 mm (1 in)	32	<ul style="list-style-type: none"> ▪ $P_{max} = 25$ bar (362 psi) at max. 150 °C (302 °F) ▪ $P_{max} = 40$ bar (580 psi) at max. 100 °C (212 °F)
	G 1/2" ISO228				
	M14x1.5	18.6 mm (0.73 in)	29.5 mm (1.16 in)	41	

Type	Version G	Dimensions			Technical properties
		L1 thread length	A	Across flats	
	M18x1.5				
	½" NPT ANSI				

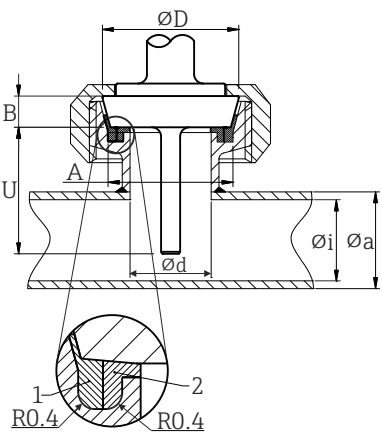
A0040091

Type	Version	Dimensions		Technical properties
	Ød ¹⁾	ØD	Øa	
    <p>Form A</p> <p>Form B</p>	Microclamp ²⁾ DN8-18 (0.5"-0.75") ³⁾	25 mm (0.98 in)	-	<ul style="list-style-type: none"> ■ P_{max.} = 16 bar (232 psi), depends on clamp ring and suitable seal ■ 3-A marked
	Tri-clamp DN8-18 (0.5"-0.75") ³⁾		-	
	DN12-21.3	34 mm (1.34 in)	16 to 25.3 mm (0.63 to 0.99 in)	<ul style="list-style-type: none"> ■ P_{max.} = 16 bar (232 psi), depends on clamp ring and suitable seal ■ 3-A marked and EHEDG certified (in connection with Combifit seal) ■ ASME BPE compliance
	DN25-38 (1"-1.5")	50.5 mm (1.99 in)	29 to 42.4 mm (1.14 to 1.67 in)	
	DN40-51 (2")	64 mm (2.52 in)	44.8 to 55.8 mm (1.76 to 2.2 in)	

A0009566


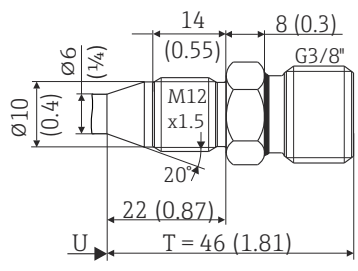
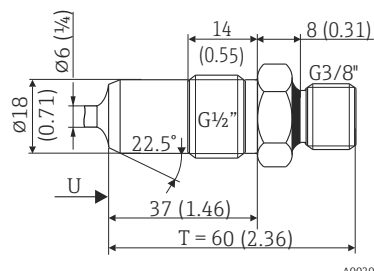
A Different seal geometries for Microclamp and Tri-clamp

- 1) Pipes in accordance with ISO 2037 and BS 4825 Part 1
- 2) Microclamp (not in ISO 2852); no standard pipes
- 3) DN8 (0.5") only possible with thermowell diameter = 6 mm (¼ in)

Type		Technical properties					
Milk pipe connection according to DIN 11851  <p>1 Centering ring 2 Sealing ring</p>		<ul style="list-style-type: none"> 3-A marked and EHEDG certified (only with EHEDG certified and self-centering sealing ring) ASME BPE compliance 					
Version ¹⁾		Dimensions					P _{max.}
		ØD	A	B	Øi	Øa	
DN25		44 mm (1.73 in)	30 mm (1.18 in)	10 mm (0.39 in)	26 mm (1.02 in)	29 mm (1.14 in)	40 bar (580 psi)
DN32		50 mm (1.97 in)	36 mm (1.42 in)	10 mm (0.39 in)	32 mm (1.26 in)	35 mm (1.38 in)	40 bar (580 psi)
DN40		56 mm (2.2 in)	42 mm (1.65 in)	10 mm (0.39 in)	38 mm (1.5 in)	41 mm (1.61 in)	40 bar (580 psi)
DN50		68 mm (2.68 in)	54 mm (2.13 in)	11 mm (0.43 in)	50 mm (1.97 in)	53 mm (2.1 in)	25 bar (363 psi)

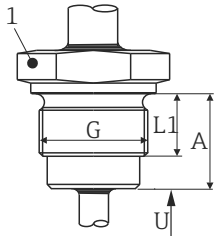
A0009561

1) Pipes in accordance with DIN 11850

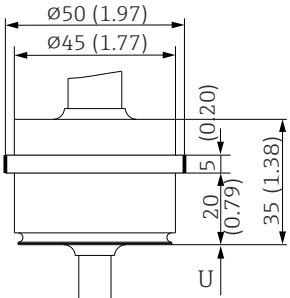
Type	Version	Technical properties
Metal sealing system		P _{max.} = 16 bar (232 psi)  Maximum torque = 10 Nm (7.38 lbf ft)
M12x1.5 	G¹/₂" 	
Thermowell diameter 6 mm (1/4 in)		

A0009574

A0020856

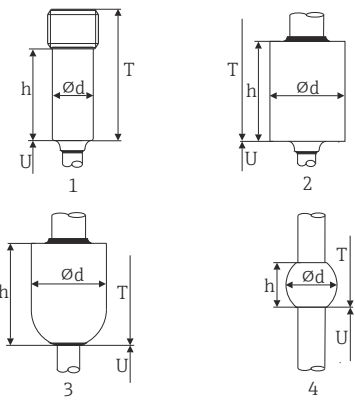
Type	Version G	Dimensions			Technical properties
		L1 thread length	A	1 (SW/AF)	
Thread according to ISO 228 (for Liquiphant weld-in adapter) 	G¾" for FTL20/31/33 adapter	16 mm (0.63 in)	25.5 mm (1 in)	32	<ul style="list-style-type: none"> ▪ P_{max.} = 25 bar (362 psi) at max. 150 °C (302 °F) ▪ P_{max.} = 40 bar (580 psi) at max. 100 °C (212 °F) ▪ 3-A marked and EHEDG tested ▪ ASME BPE compliance
	G¾" for FTL50 adapter				
	G1" for FTL50 adapter	18.6 mm (0.73 in)	29.5 mm (1.16 in)	41	

A0009572

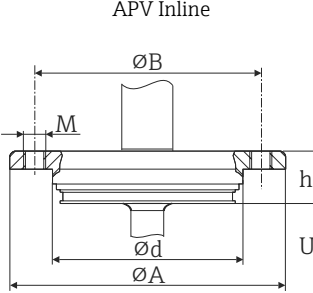
Type	Version	Technical properties
Process adapter 	D45	

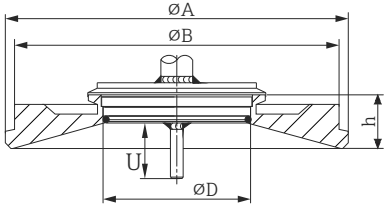
A0034881

For welding in

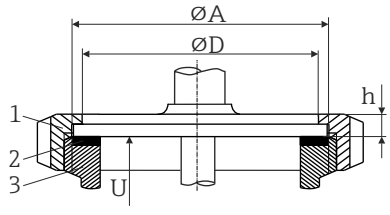
Type	Version	Dimensions	Technical properties
Weld-in adapter 	1: Cylindrical	Ød x h = 12 mm (0.47 in) x 40 mm (1.57 in), T = 55 mm (2.17 in)	<ul style="list-style-type: none"> ▪ P_{max.} depends on the weld-in process ▪ 3-A marked and EHEDG certified ▪ ASME BPE compliance
	2: Cylindrical	Ød x h = 30 mm (1.18 in) x 40 mm (1.57 in)	
	3: Spherical-cylindrical	Ød x h = 30 mm (1.18 in) x 40 mm (1.57 in)	
	4: Spherical	Ød = 25 mm (0.98 in) h = 24 mm (0.94 in)	

A0039503

Type	Version	Dimensions					Technical properties
		ϕd	ϕA	ϕB	M	h	
<p>APV Inline</p>  <p>A0018435</p>	DN50	69 mm (2.72 in)	99.5 mm (3.92 in)	82 mm (3.23 in)	2xM8	19 mm (0.75 in)	<ul style="list-style-type: none"> ■ P_{max.} = 25 bar (362 psi) ■ 3-A marked and EHEDG certified ■ ASME BPE compliance

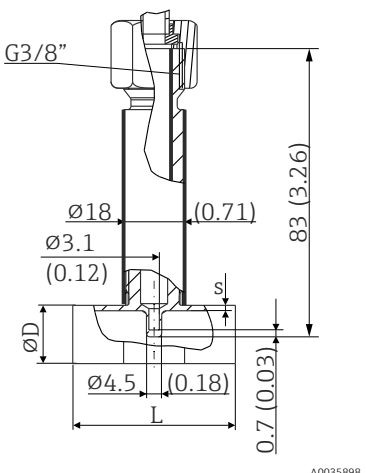
Type	Version	Dimensions				P _{max.}	Technical properties
		ϕD	ϕA	ϕB	h		
<p>Varivent®</p>  <p>A0021307</p>	Type B	31 mm (1.22 in)	105 mm (4.13 in)	-	22 mm (0.87 in)	10 bar (145 psi)	<ul style="list-style-type: none"> ■ 3-A marked and EHEDG certified ■ ASME BPE compliance
	Type F	50 mm (1.97 in)	145 mm (5.71 in)	135 mm (5.31 in)	24 mm (0.95 in)		
	Type N	68 mm (2.67 in)	165 mm (6.5 in)	155 mm (6.1 in)	24.5 mm (0.96 in)		

i The VARINLINE® housing connection flange is suitable for weld-in into the conical or torispherical head in tanks or vessels with a small diameter (≤ 1.6 m (5.25 ft)) and up to a wall thickness of 8 mm (0.31 in).

Type	Version	Dimensions			Technical properties
		ϕD	ϕA	h	
<p>SMS 1147</p>  <p>A0009568</p> <p>1 Cap-nut 2 Sealing ring 3 Counterpart connection</p>	DN25	32 mm (1.26 in)	35.5 mm (1.4 in)	7 mm (0.28 in)	P _{max.} = 6 bar (87 psi)
	DN38	48 mm (1.89 in)	55 mm (2.17 in)	8 mm (0.31 in)	
	DN51	60 mm (2.36 in)	65 mm (2.56 in)	9 mm (0.35 in)	

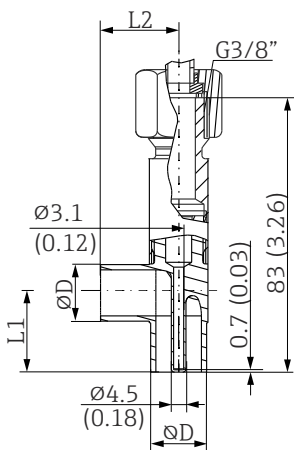
i The counterpart connection must fit the sealing ring and fix it in place.

T-piece, optimized (no welding, no dead legs)

Type	Version		Dimensions in mm (in)			Technical properties
			ØD	L	s ¹⁾	
<p>T-piece for weld-in as per DIN 11865 (series A, B and C)</p> 	Series A	DN10 PN25	13 mm (0.51 in)	48 mm (1.89 in)	1.5 mm (0.06 in)	<ul style="list-style-type: none"> ■ P_{max.} = 25 bar (362 psi) ■ 3-A marked and EHEDG certified for ≥ DN25 ■ ASME BPE compliance for ≥ DN25
		DN15 PN25	19 mm (0.75 in)			
		DN20 PN25	23 mm (0.91 in)			
		DN25 PN25	29 mm (1.14 in)			
		DN32 PN25	32 mm (1.26 in)			
	Series B	DN13.5 PN25	13.5 mm (0.53 in)		2 mm (0.08 in)	
		DN17.2 PN25	17.2 mm (0.68 in)			
		DN21.3 PN25	21.3 mm (0.84 in)			
		DN26.9 PN25	26.9 mm (1.06 in)			
		DN33.7 PN25	33.7 mm (1.33 in)			
	Series C ²⁾	DN12.7 PN25 (½")	12.7 mm (0.5 in)		1.65 mm (0.065 in)	
		DN19.05 PN25 (¾")	19.05 mm (0.75 in)			
		DN25.4 PN25 (1")	25.4 mm (1 in)			
		DN38.1 PN25 (1½")	38.1 mm (1.5 in)			

- 1) Wall thickness
- 2) Pipe dimensions as per ASME BPE 2012

Elbow piece, optimized (no welding, no dead legs)

Type	Version		Dimensions				Technical properties
			ØD	L1	L2	s ¹⁾	
Corner piece for weld-in as per DIN 11865 (series A, B and C)  <small>A0035899</small>	Series A	DN10 PN25	13 mm (0.51 in)	24 mm (0.95 in)	1.5 mm (0.06 in)	<ul style="list-style-type: none"> ■ P_{max.} = 25 bar (362 psi) ■ 3-A marked and EHEDG certified for ≥ DN25 ■ ASME BPE compliance for ≥ DN25 	
		DN15 PN25	19 mm (0.75 in)	25 mm (0.98 in)			
		DN20 PN25	23 mm (0.91 in)	27 mm (1.06 in)			
		DN25 PN25	29 mm (1.14 in)	30 mm (1.18 in)			
		DN32 PN25	35 mm (1.38 in)	33 mm (1.3 in)			
	Series B	DN13.5 PN25	13.5 mm (0.53 in)	32 mm (1.26 in)	1.6 mm (0.063 in)		
		DN17.2 PN25	17.2 mm (0.68 in)	34 mm (1.34 in)			
		DN21.3 PN25	21.3 mm (0.84 in)	36 mm (1.41 in)			
		DN26.9 PN25	26.9 mm (1.06 in)	29 mm (1.14 in)			
		DN33.7 PN25	33.7 mm (1.33 in)	32 mm (1.26 in)	2.0 mm (0.08 in)		
	Series C	DN12.7 PN25 (½") ²⁾	12.7 mm (0.5 in)	24 mm (0.95 in)	1.65 mm (0.065 in)		
		DN19.05 PN25 (¾")	19.05 mm (0.75 in)	25 mm (0.98 in)			
		DN25.4 PN25 (1")	25.4 mm (1 in)	28 mm (1.1 in)			
DN38.1 PN25 (1½")		38.1 mm (1.5 in)	35 mm (1.38 in)				

1) Wall thickness

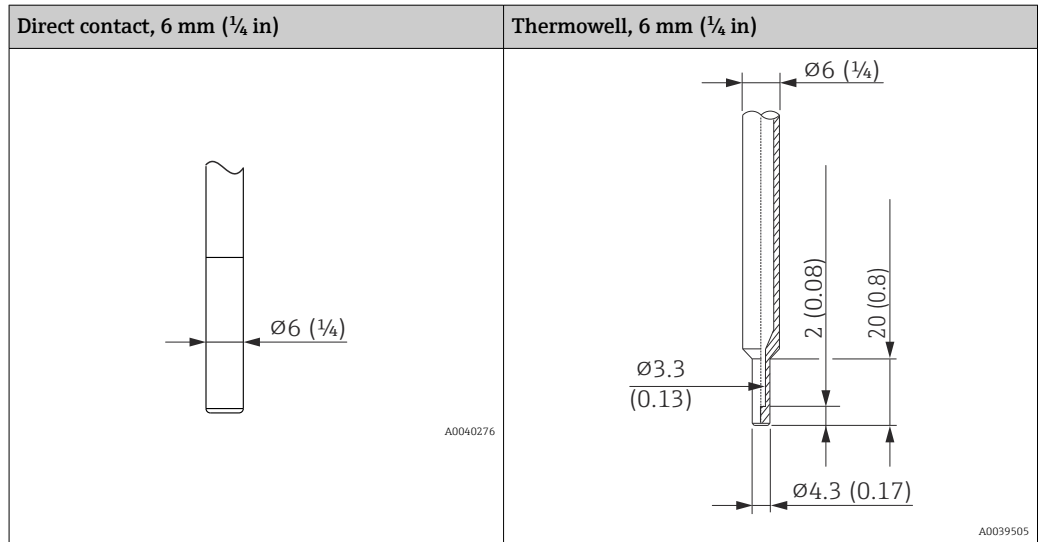
2) Pipe dimensions as per ASME BPE 2012



Tip shape

The thermal response time, the reduction of the flow cross-section and the mechanical load that occurs in the process are the criteria that matter when selecting the shape of the tip.

Advantages of using reduced or tapered thermometer tips:

- A smaller tip shape has less impact on the flow characteristics of the pipe carrying the medium
- The flow characteristics are optimized
- Thermowell stability is increased



 It is possible to verify the mechanical loading capacity as a function of the installation and process conditions using the online TW Sizing Module for thermowells in the Endress+Hauser Applicator software →  33.

Human interface

Operating concept

The device-specific parameters are configured via IO-Link. Special configuration and operating programs are available from various manufacturers for this purpose. The device description file (IODD) is provided for the thermometer.

IO-Link operating concept

Operator-oriented menu structure for user-specific tasks. Guided menus divided by user category:

- Operator
- Maintenance
- Specialist

Efficient diagnostics increase measurement availability

- Diagnostic messages
- Remedial measures
- Simulation options

IODD download

<http://www.endress.com/download>

- Select **Software** as the media type
- Select **Device Driver** as the software type
Select IO-Link (IODD)
- In the "Text Search" field enter the device name

<https://ioddfinder.io-link.com/>

Search by

- Manufacturer
- Article number
- Product type

Local operation

There are no operating elements directly on the device. The temperature transmitter is configured via remote operation.

Local display There are no display elements directly on the device. The measured value and diagnostic messages, for instance, can be accessed via IO-Link.

Remote operation IO-Link functions and device-specific parameters are configured via the device's IO-Link communication.

Special configuration kits are available, e.g. the FieldPort SFP20. Every IO-Link device can be configured with it.

IO-Link devices are typically configured via the automation system (e.g. Siemens TIA Portal + Port Configuration Tool). Parameters for device replacement can be stored in the IO-Link master.


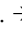
Certificates and approvals

Current certificates and approvals that are available for the product can be selected via the Product Configurator at www.endress.com:

1. Select the product using the filters and search field.
2. Open the product page.
3. Select **Configuration**.

MTBF For the transmitter: 327 years, according to Siemens Standard SN29500

Hygiene standard

- EHEDG certification type EL - CLASS I. EHEDG-certified/tested process connections. →  24
- 3-A Authorization No. 1144, 3-A Sanitary Standard 74-07. Listed process connections. →  24
- ASME BPE, declaration of conformity can be ordered for options indicated
- FDA-compliant
- All surfaces in contact with the medium are free from materials derived from bovine animals or other livestock (ADI/TSE)

Materials in contact with food/product (FCM) The materials of the thermometer in contact with food/product (FCM) comply with the following European regulations:

- (EC) No. 1935/2004, Article 3, paragraph 1, Articles 5 and 17 on materials and articles intended to come into contact with food.
- (EC) No. 2023/2006 on good manufacturing practice for materials and articles intended to come into contact with food.
- (EU) No. 10/2011 on plastic materials and articles intended to come into contact with food.

CRN approval The CRN approval is only available for certain thermowell versions. These versions are identified and displayed accordingly during the configuration of the device.

Detailed ordering information is available for your nearest sales organization www.addresses.endress.com or in the Download Area under www.endress.com :

1. Select the country
2. Select Downloads
3. In the search area: select Approvals/approval type
4. Enter the product code or device
5. Start the search

CRN approval The CRN approval is only available for certain thermowell versions. Contact the supplier if necessary.

Surface roughness Free from oil and grease for O₂ applications, optional

Material resistance

Material resistance - including resistance of housing - to the following Ecolab cleaning/disinfection agents:

- P3-topax 66
- P3-topactive 200
- P3-topactive 500
- P3-topactive OKTO
- And demineralized water

Ordering information

Detailed ordering information is available for your nearest sales organization www.addresses.endress.com or in the Product Configurator under www.endress.com :

1. Click Corporate
2. Select the country
3. Click Products
4. Select the product using the filters and search field
5. Open the product page

The Configuration button to the right of the product image opens the Product Configurator.

i Product Configurator - the tool for individual product configuration

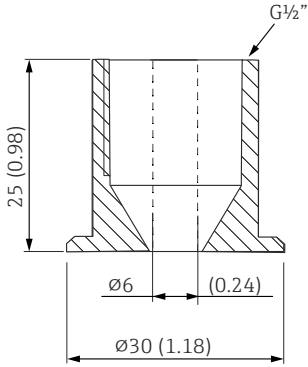
- Up-to-the-minute configuration data
- Depending on the device: Direct input of measuring point-specific information such as measuring range or operating language
- Automatic verification of exclusion criteria
- Automatic creation of the order code and its breakdown in PDF or Excel output format
- Ability to order directly in the Endress+Hauser Online Shop

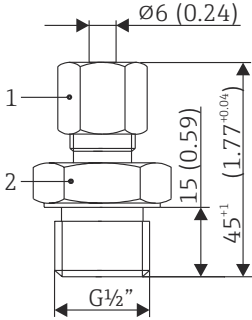
Accessories

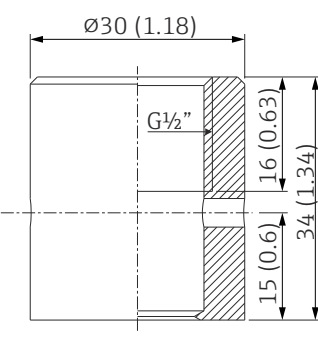
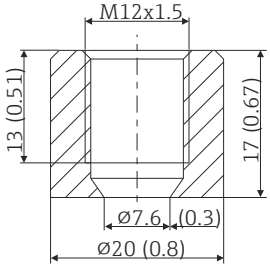
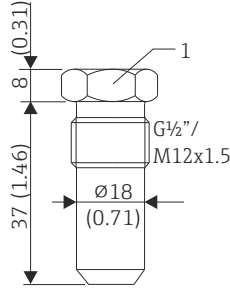
All dimensions in mm (in).

Device-specific accessories

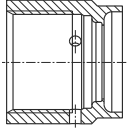
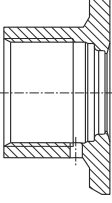
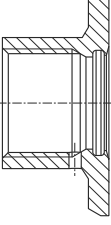
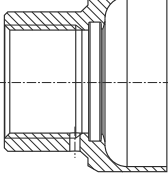
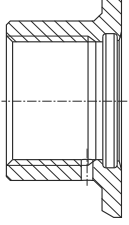
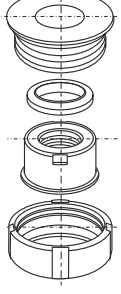
Accessories	Description
<p>Welding boss with sealing taper</p> <p style="text-align: right; font-size: small;">A0048610</p> <p>1 Pressure screw, 303/304, width across flats 24 mm 2 Washer, 303/304 3 Sealing taper, PEEK 4 Collar welding boss, 316L</p>	<ul style="list-style-type: none"> ■ Collar welding boss movable with sealing taper, washer and pressure screw G$\frac{1}{2}$" ■ Material of parts in contact with the process 316L, PEEK ■ Max. process pressure 10 bar (145 psi) ■ Order number with pressure screw 51004751 ■ Order number without pressure screw 51004752

Accessories	Description
<p data-bbox="528 255 708 282">Collar welding boss</p>  <p data-bbox="767 680 820 696">A0020710</p>	<ul data-bbox="836 255 1315 309" style="list-style-type: none"> Material of parts in contact with the process 316L Order number without pressure screw 51004752

Accessories	Description
<p data-bbox="528 808 708 835">Compression fitting</p>  <p data-bbox="432 1218 517 1267">1 AF14 2 AF27</p> <p data-bbox="767 1189 820 1205">A0048609</p>	<ul data-bbox="836 808 1410 943" style="list-style-type: none"> Movable clamping ring, process connection G$\frac{1}{2}$" Material of compression fitting and parts in contact with the process, 316L Order number TK40-BADA3C (other versions can be configured in the TK40 structure)

Accessories	Description
<p>Welding boss with sealing taper (metal-metal)</p>  <p style="text-align: right;">A0006621</p>  <p style="text-align: right;">A0018236</p>	<ul style="list-style-type: none"> Welding boss for G$\frac{1}{2}$" or M12x1.5 thread Metal-sealing; conical Material of parts in contact with the process 316L/1.4435 Max. process pressure 16 bar (232 PSI) Order number 71424800 (G$\frac{1}{2}$") Order number 71405560 (M12x1.5)
<p>Dummy plug</p>  <p style="text-align: right;">A0045726</p> <p>1 AF22</p>	<ul style="list-style-type: none"> Dummy plug for G$\frac{1}{2}$" or M12x1.5 conical metal-sealing welding boss Material: SS 316L/1.4435 Order number 60022519 (G$\frac{1}{2}$") Order number 60021194 (M12x1.5)

Weld-in adapter

<p>Weld-in adapter</p>	 <p style="text-align: center;">A0008246</p>	 <p style="text-align: center;">A0008251</p>	 <p style="text-align: center;">A0008256</p>	 <p style="text-align: center;">A0011924</p>	 <p style="text-align: center;">A0008248</p>	 <p style="text-align: center;">A0008253</p>
	<p>G $\frac{3}{4}$" , d=29 for pipe-mounting</p>	<p>G $\frac{3}{4}$" , d=50 for vessel-mounting</p>	<p>G $\frac{3}{4}$" , d=55 with flange</p>	<p>G 1" , d=53 without flange</p>	<p>G 1" , d=60 with flange</p>	<p>G 1" adjustable</p>

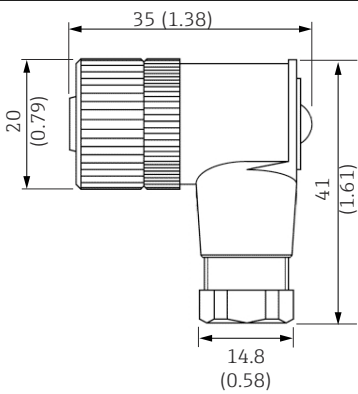
Material	316L (1.4435)	316L (1.4435)	316L (1.4435)	316L (1.4435)	316L (1.4435)	316L (1.4435)
Roughness μm (μin) process side	≤ 1.5 (59.1)	≤ 0.8 (31.5)	≤ 0.8 (31.5)	≤ 0.8 (31.5)	≤ 0.8 (31.5)	≤ 0.8 (31.5)

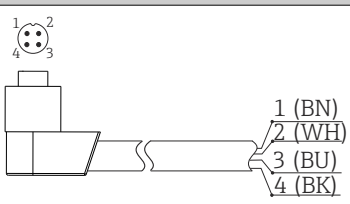
- i** Maximum process pressure for the weld-in adapters:
- 25 bar (362 PSI) at maximum 150 °C (302 °F)
 - 40 bar (580 PSI) at maximum 100 °C (212 °F)

Communication-specific accessories

Accessories	Description
FieldPort SFP20	Mobile configuration tool for all IO-Link devices: <ul style="list-style-type: none"> ■ Pre-installed device and CommDTMs in FieldCare ■ Pre-installed device and CommDTMs in FieldXpert ■ M12 connection for IO-Link field devices

Coupling

Accessories	Description
<ul style="list-style-type: none"> ■ M12x1 coupling; elbowed, for termination of connecting cable by user ■ Connection to M12x1 housing connector ■ Body materials PBT/PA, ■ Cap-nut GD-Zn, nickel-plated ■ IP67 degree of protection (fully locked) ■ Order number 51006327 ■ Voltage: max. 250 V ■ Current carrying capacity: max. 4 A ■ Temperature: -40 to 85 °C 	 <p style="text-align: right;">A0020722</p>

Accessories	Description
<ul style="list-style-type: none"> ■ PVC cable, 4 x 0.34 mm² (22 AWG) with M12x1 coupling, elbow plug, screw plug, length 5 m (16.4 ft) ■ IP67 degree of protection ■ Order number 52024216 ■ Voltage: max. 250 V ■ Current carrying capacity: max. 4 A ■ Temperature: -25 to 70 °C <p>Wire colors:</p> <ul style="list-style-type: none"> ■ 1 = BN brown ■ 2 = WH white ■ 3 = BU blue ■ 4 = BK black 	 <p style="text-align: right;">A0020723</p>

Accessories	Description
<ul style="list-style-type: none"> ■ PVC cable, 4 x 0.34 mm² (22 AWG) with M12x1 coupling nut made of epoxy coated zinc, straight socket contact, screw plug, 5 m (16.4 ft) ■ IP67 degree of protection ■ Order number 71217708 ■ Voltage: max. 250 V ■ Current carrying capacity: max. 4 A ■ Temperature: -20 to 105 °C <p>Wire colors:</p> <ul style="list-style-type: none"> ■ 1 = BN brown ■ 2 = WH white ■ 3 = BU blue ■ 4 = BK black 	<p style="text-align: right; font-size: small;">A0020725</p>

Adapter cables

If a TMR3x is replaced by a TM311, the pin assignment must be changed, as the IO-Link standard requires another assignment than that used in TMR3x devices. Either the wiring is changed in the cabinet or the adapter cable is used for the pin assignment between the device and the existing wiring.





Accessories	Description
<ul style="list-style-type: none"> ■ Cable: PVC; 2-pin; 2 x 0.34 mm² (AWG22) shielded ■ Cable length ~ 100 mm (3.94 in) without socket and connector ■ Color: black ■ Connector 1: M12, 4-pin, A-coded, socket, straight ■ Connector 2: M12, 4-pin, A-coded, connector, straight ■ Metal parts: stainless steel ■ Voltage: max. 60 V_{DC} ■ Current carrying capacity: max. 4 A ■ Degree of protection: IP66, IP67 and IP69 in accordance with IEC 60529 (when connected); NEMA 6P ■ Temperature: -40 to +85 °C (-40 to +185 °F) ■ Order number 71449142 	<p style="text-align: right; font-size: small;">A0040288</p> <p>A M12 socket B M12 connector L 200 mm (7.87 in)</p>

Service-specific accessories

Accessories	Description
Applicator	<p>Software for selecting and sizing Endress+Hauser measuring devices:</p> <ul style="list-style-type: none"> ■ Calculation of all the necessary data for identifying the optimum measuring device: e.g. pressure loss, accuracy or process connections. ■ Graphic illustration of the calculation results <p>Administration, documentation and access to all project-related data and parameters over the entire life cycle of a project.</p> <p>Applicator is available: Via the Internet: https://portal.endress.com/webapp/applicator</p>


Accessories	Description
Configurator	<p>Product Configurator - the tool for individual product configuration</p> <ul style="list-style-type: none"> ■ Up-to-the-minute configuration data ■ Depending on the device: Direct input of measuring point-specific information such as measuring range or operating language ■ Automatic verification of exclusion criteria ■ Automatic creation of the order code and its breakdown in PDF or Excel output format ■ Ability to order directly in the Endress+Hauser Online Shop <p>The Configurator is available on the Endress+Hauser website at: www.endress.com -> Click "Corporate" -> Select your country -> Click "Products" -> Select the product using the filters and search field -> Open product page -> The "Configure" button to the right of the product image opens the Product Configurator.</p>
Accessories	Description
W@M	<p>Life cycle management for your plant</p> <p>W@M offers assistance with a wide range of software applications over the entire process: from planning and procurement to the installation, commissioning and operation of the measuring devices. All the relevant information is available for every measuring device over the entire life cycle, such as the device status, device-specific documentation, spare parts etc.</p> <p>The application already contains the data of your Endress+Hauser device. Endress+Hauser also takes care of maintaining and updating the data records.</p> <p>W@M is available: Via the Internet: www.endress.com/lifecyclemanagement</p>

System components

Accessories	Description
IO-Link master BL20	IO-Link master from Turck for DIN rails supports PROFINET, EtherNet/IP and Modbus TCP. With web server for easy configuration.
Accessories	Description
RIA16 field indicator	<p>The field indicator presents the analog measuring signal on the display. The LC display shows the current measured value in digital form and as a bar graph indicating a limit value violation. The indicator is looped into the 4 to 20 mA circuit and gets the required energy from there.</p> <p> For details, see Technical Information TI00144R</p>
Accessories	Description
RIA15 field indicator	<p>Field indicator for looping into 4 to 20 mA, panel mounting</p> <p> For details, see Technical Information TI00143K</p>
Accessories	Description
RIA14 field indicator	<p>Field indicator for looping into 4 to 20 mA, optionally available with Ex d approval.</p> <p> For details, see document TI00143R</p>
Accessories	Description
RN22/RN42	<p>RN221: 1- or 2-channel active barrier for separation of 0/4 to 20 mA standard signal circuits, optionally available as a signal duplicator, 24 V DC. HART-transparent</p> <p>RN42: 1-channel active barrier with wide range power supply for safe separation of 0/4 to 20 mA standard signal circuits, HART-transparent</p> <p> For details</p> <ul style="list-style-type: none"> ■ Technical Information RN22 -> TI01515K ■ Technical Information RN42 -> TI01584K

Documentation

The following document types are available on the product pages and in the download area of the Endress+Hauser website (www.endress.com/downloads):

Document	Purpose and content of the document
Technical Information (TI)	Planning aid for your device The document contains all the technical data on the device and provides an overview of the accessories and other products that can be ordered for the device.
Brief Operating Instructions (KA)	Guide that takes you quickly to the 1st measured value The Brief Operating Instructions contain all the essential information from incoming acceptance to initial commissioning.
Operating Instructions (BA)	Your comprehensive reference The Operating Instructions contain all the information that is required in various phases of the life cycle of the device: from product identification, incoming acceptance and storage, to mounting, connection, operation and commissioning through to troubleshooting, maintenance and disposal.
Description of Device Parameters (GP)	Reference for your parameters The document provides a detailed explanation of each individual parameter. The description is aimed at those who work with the device over the entire life cycle and perform specific configurations.
Safety Instructions (XA)	Depending on the approval, the following Safety Instructions (XA) are supplied with the device. They are an integral part of the Operating Instructions.  The nameplate indicates the Safety Instructions (XA) that are relevant to the device.
Supplementary device-dependent documentation	Additional documents are supplied depending on the device version ordered: Always comply strictly with the instructions in the supplementary documentation. The supplementary documentation is an integral part of the device documentation.

Registered trademarks

 **IO-Link**

is a registered trademark of the IO-Link company group.



www.addresses.endress.com
