

SPECIFICATION

Part No.	:	TI.10.0111.HT
Product Name	:	433MHz ISM Band Terminal Antenna Omni-directional 0dBi HIGH TEMPERATURE
Features	:	SMA(M) Plug Connector Dupont® Hytrel® High Temperature Resistant TPEE Housing (up to 150°C) Low Profile and Robust Handling 48.2mm Antenna Dimensions IP65 RoHS Compliant
Picture	:	



1. Introduction

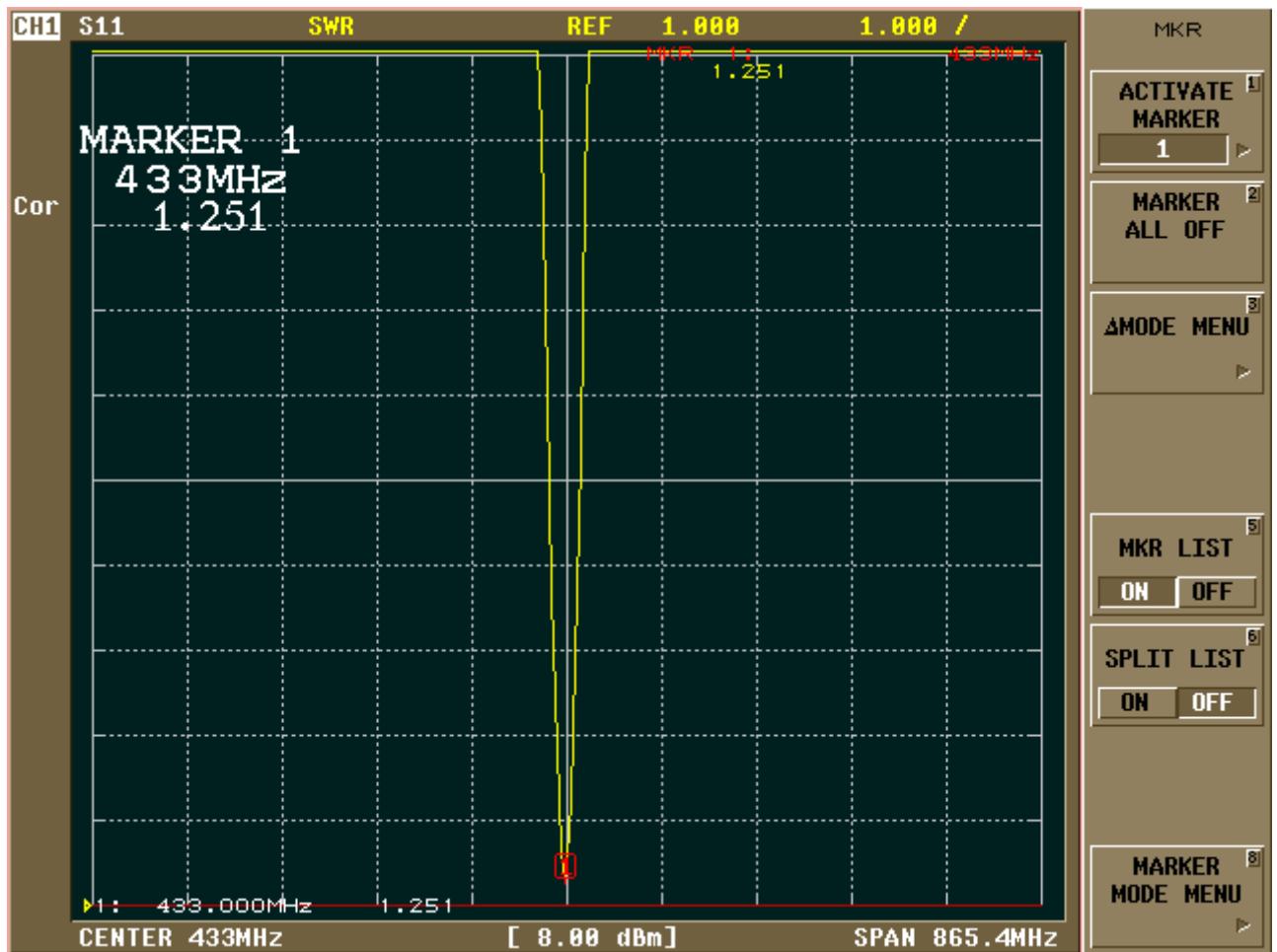
The TI.10 HT series are robust miniature 433MHz omni-directional antennas suitable for high temperature applications. The TI.10 terminal SMA plug mount antenna is ideal for mobile small form factor applications. At only 48.2mm in length an omni-directional pattern with a peak gain 0dBi ensures constant reception and transmission. The antenna housing is made of Dupont® Hytrel® TPEE material which is durable in high temperature application environments up to 150°C. This material is proven in the automotive industry applications, thus allowing the antenna to be placed nearer the engine or heat generating components.

2. Key Antenna Performance Indicators

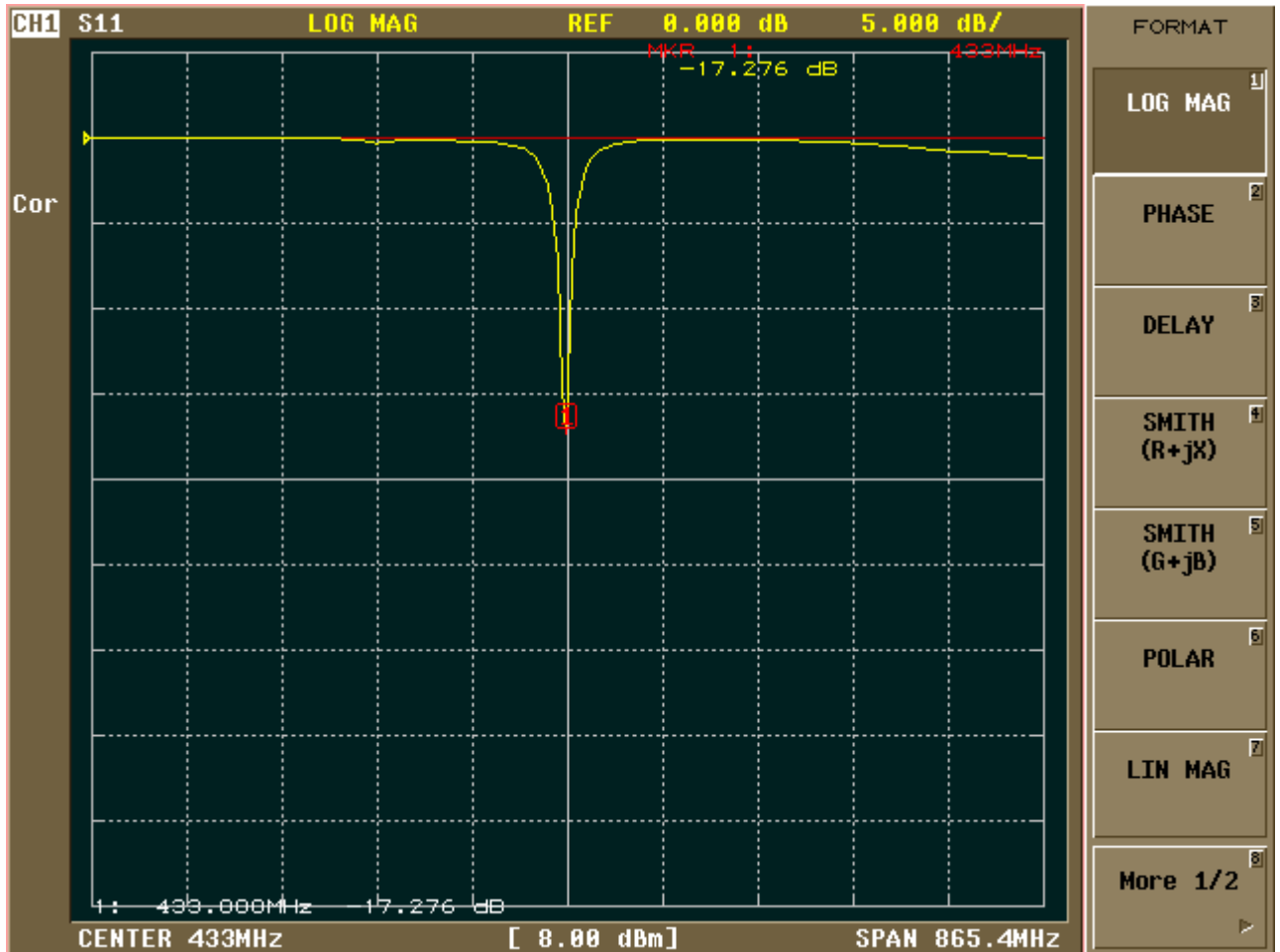
Parameter	Specification
Applications	433MHz ISM Band
Frequency	433.05~434.79MHz
Peak Gain	0dBi
Return Loss	-17dB
Impedance	50 Ohms
Radiation Pattern	Omni-directional
Polarization	Linear
VSWR	≤1.5:1
Power handling	5 W
Housing	Dupont® Hytrel® TPEE
Connector	SMA(M) plug
Operation Temperature	-40°C to + 150°C
Storage Temperature	-40°C to + 105°C
Relative Humidity	40% to 95%
Dimensions	Length: 48.2mm
Weight	8.5g

3. Antenna Parameters

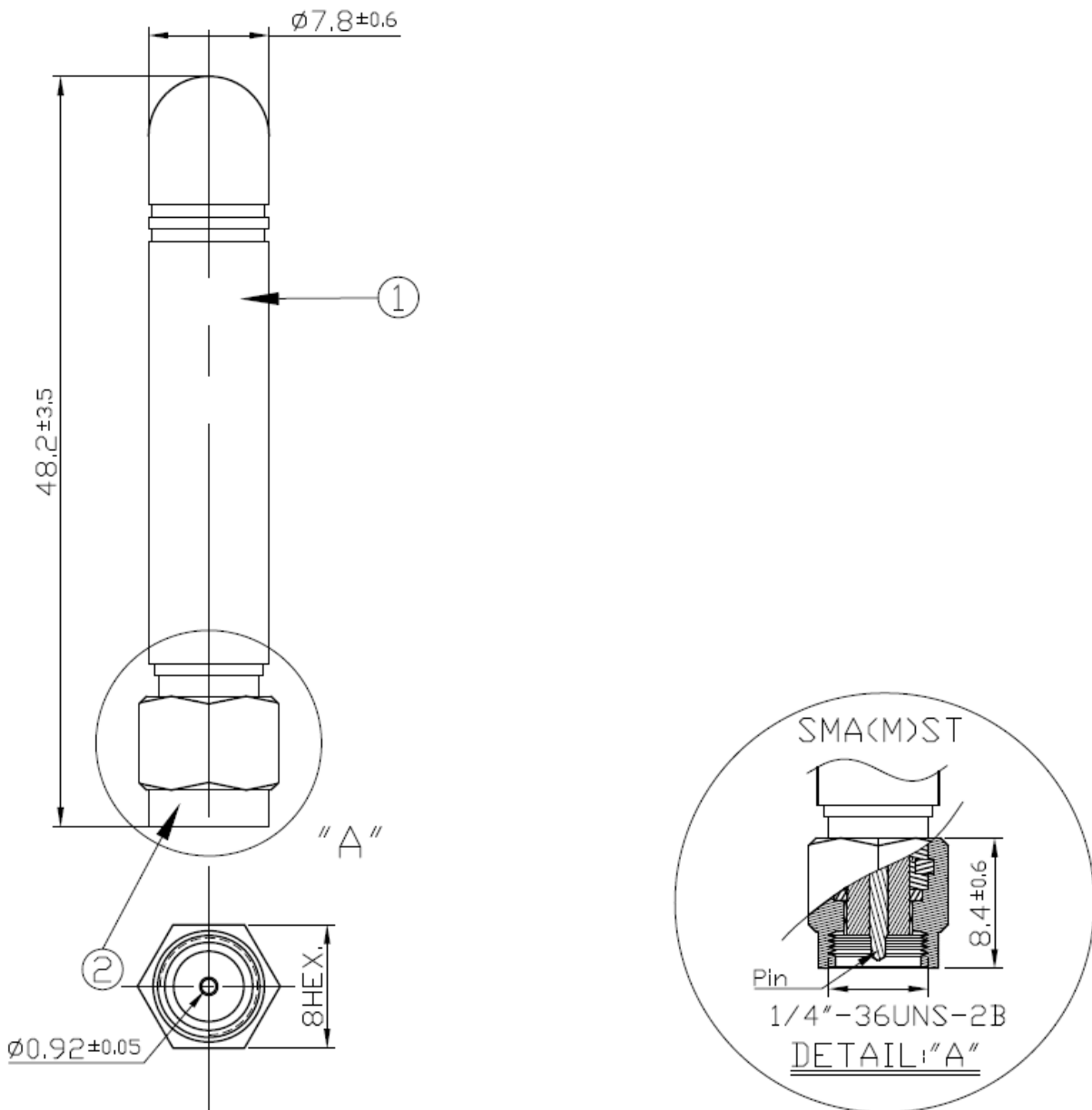
3.1 VSWR Data



3.2 Return Loss Data



4. Mechanical Drawing



	Name	P/N	Material	Finish	QTY
①	Housing High Temperature	000111K040002A	TPEE	Black	1
②	SMA(M)ST	200211J000002A	Brass	Gold	1