

**MATERIAL**

Glass-fibre reinforced polyamide (PA) SUPER-technopolymer, black colour, matte finish.

**PACKING RING**

NBR synthetic rubber O-Ring.

In addition to guaranteeing the O-ring retention, the seat for the housing allows an optimal seal even with minimum tightening torques.

**MAXIMUM CONTINUOUS WORKING TEMPERATURE**

100°C.

**GRAPHIC SYMBOL "FILL"**

According to DIN regulations.

**TECHNICAL DATA**

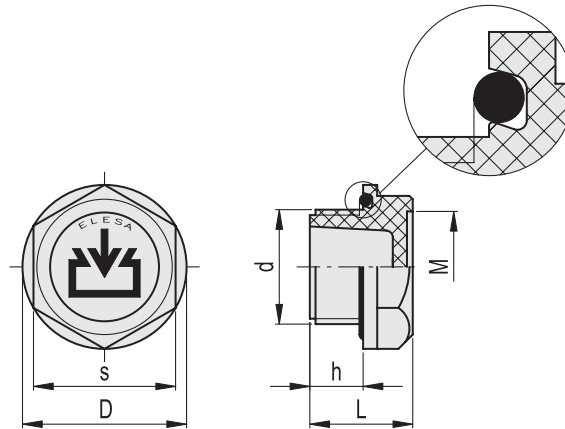
In laboratory tests carried out with mineral oil type CB68 (according to ISO 3498) at 23°C for a limited period of time, the values of pressure resistance were much higher than 100 bar.

In any case, we suggest to check the suitability of the product with regard to the fluid nature, operating temperature and application type under the actual working conditions.



ELESa Original design

Conversion Table 1 mm = 0.039 inch	
D	
mm	inch
22	0.87
25.5	1.00
32	1.26
37	1.46
44	1.73
53.5	2.11
63.5	2.50



**METRIC** **BSP**

Code	Description	d	h	s	D	L	M	⚖️
158685	TCR.14x1.5	M14x1.5	9	19	22	17	15	4
158686	TCR.16x1.5	M16x1.5	10	22	25.5	18	17	6
158687	TCR.20x1.5	M20x1.5	11	27	32	20	20.5	8
158688	TCR.26x1.5	M26x1.5	12	32	37	22	25	14
158689	TCR.27x1.5	M27x1.5	12	32	37	22	25	14
158690	TCR.33x1.5	M33x1.5	13	38	44	23	31	18
158691	TCR.40x1.5	M40x1.5	14	46	53.5	26	38	19
158692	TCR.42x2	M42x2	15	46	53.5	26	38	21
158695	TCR.1/4	G 1/4	9	19	22	17	15	4
158696	TCR.3/8	G 3/8	9	22	25.5	18	17	6
158697	TCR.1/2	G 1/2	11	27	32	20	20.5	8
158698	TCR.3/4	G 3/4	12	32	37	22	25	14
158699	TCR.1	G 1	13	38	44	23	31	18
158711	TCR.1¼	G1 1/4	14	46	53.5	26	38	32
158713	TCR.1½	G1 1/2	15	55	63.5	28	46	51

