

**DIGITAL AMPLIFIER POWER STAGE**



**FEATURES**

- 70-W RMS Power (BTL) Into 4 Ω With Less Than 0.2% THD+N
- 95-dB Dynamic Range (TDAA System With TAS5026)
- Power Efficiency Greater Than 90% Into 4-Ω and 8-Ω Loads
  - Smaller Power Supplies
- Self-Protecting Design With Autorecovery
- 32-Pin TSSOP (DAD) PowerPAD™ Package
- 3.3-V Digital Interface
- EMI-Compliant When Used With Recommended System Design

- Home Theatre
- Mini/Micro Component Systems
- Internet Music Appliance

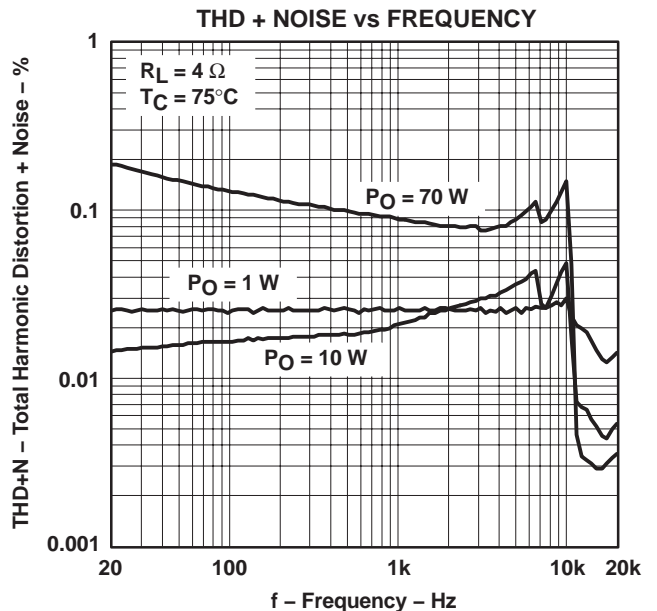
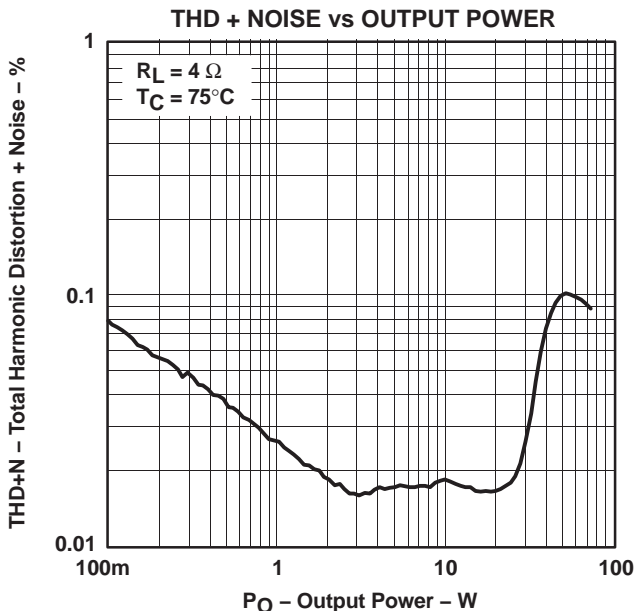
**DESCRIPTION**

The TAS5111 is a high-performance digital amplifier power stage designed to drive a 4-Ω speaker up to 70 W with 0.2% distortion plus noise. The device incorporates TI's PurePath Digital™ technology and is used with a digital audio PWM processor (TAS50XX) and a simple passive demodulation filter to deliver high-quality, high-efficiency digital audio amplification.

The efficiency of this digital amplifier can be greater than 90%, depending on the system design. Overcurrent protection, overtemperature protection, and undervoltage protection are built into the TAS5111, safeguarding the device and speakers against fault conditions that could damage the system.

**APPLICATIONS**

- DVD Receiver



Please be aware that an important notice concerning availability, standard warranty, and use in critical applications of Texas Instruments semiconductor products and disclaimers thereto appears at the end of this data sheet.

PurePath Digital and PowerPAD are trademarks of Texas Instruments. Other trademarks are the property of their respective owners.

# TAS5111

SLES049D – JULY 2003 – REVISED MARCH 2004

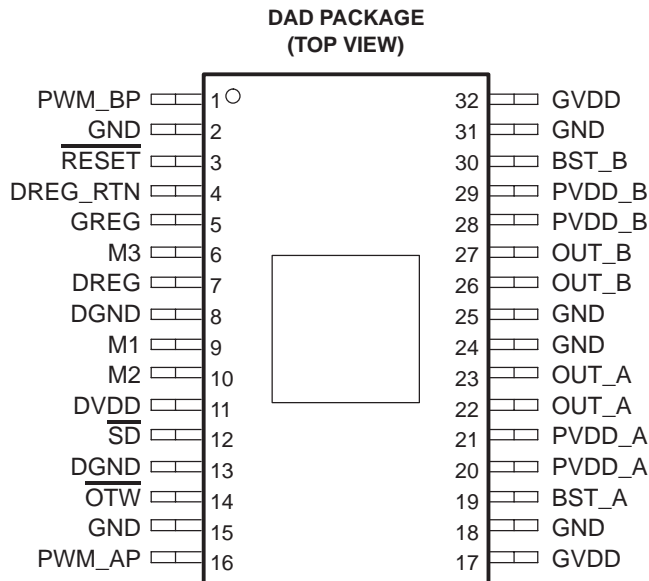


These devices have limited built-in ESD protection. The leads should be shorted together or the device placed in conductive foam during storage or handling to prevent electrostatic damage to the MOS gates.

## GENERAL INFORMATION

### Terminal Assignment

The TAS5111 is offered in a thermally enhanced 32-pin TSSOP surface-mount package (DAD), which has the thermal pad on top.



## ABSOLUTE MAXIMUM RATINGS

over operating free-air temperature range unless otherwise noted<sup>(1)</sup>

TAS5111	UNITS
DVDD TO DGND	–0.3 V to 4.2 V
GVDD TO GND	33.5 V
PVDD_X TO GND (dc voltage)	33.5 V
PVDD_X TO GND (spike voltage <sup>(2)</sup> )	48 V
OUT_X TO GND (dc voltage)	33.5 V
OUT_X TO GND (spike voltage <sup>(2)</sup> )	48 V
BST_X TO GND (dc voltage)	48 V
BST_X TO GND (spike voltage <sup>(2)</sup> )	53 V
GREG TO GND <sup>(3)</sup>	14.2 V
PWM_XP, RESET, M1, M2, M3, SD, OTW	–0.3 V to DVDD + 0.3 V
Maximum operating junction temperature, T <sub>J</sub>	–40°C to 150°C
Storage temperature	–40°C to 125°C

(1) Stresses beyond those listed under “absolute maximum ratings” may cause permanent damage to the device. These are stress ratings only, and functional operation of the device at these or any other conditions beyond those indicated under “recommended operating conditions” is not implied. Exposure to absolute-maximum-rated conditions for extended periods may affect device reliability.

(2) The duration of a voltage spike should be less than 100 ns.

(3) GREG is treated as an input when the GREG pin is overdriven by a GVDD voltage of 12 V.

## PACKAGE DISSIPATION RATINGS

PACKAGE	R <sub>θJC</sub> (°C/W)	R <sub>θJA</sub> (°C/W)
32-Pin DAD TSSOP	1.69	See Note 1

(1) The TAS5111 package is thermally enhanced for conductive cooling using an exposed metal pad area. It is impractical to use the device with the pad exposed to ambient air as the only means for heat dissipation.

For this reason, R<sub>θJA</sub>, a system parameter that characterizes the thermal treatment, is provided in the *Application Information* section of the data sheet. An example and discussion of typical system R<sub>θJA</sub> values are provided in the *Thermal Information* section. This example provides additional information regarding the power dissipation ratings. This example should be used as a reference to calculate the heat dissipation ratings for a specific application. TI application engineering provides technical support to design heatsinks if needed. Also, for additional general information on PowerPad packages, see TI document SLMA002.

## ORDERING INFORMATION

T <sub>A</sub>	PACKAGE	DESCRIPTION
0°C to 70°C	TAS5111DAD	32-pin small TSSOP

For the most current specification and package information, refer to the TI Web site at [www.ti.com](http://www.ti.com).

### Terminal Functions

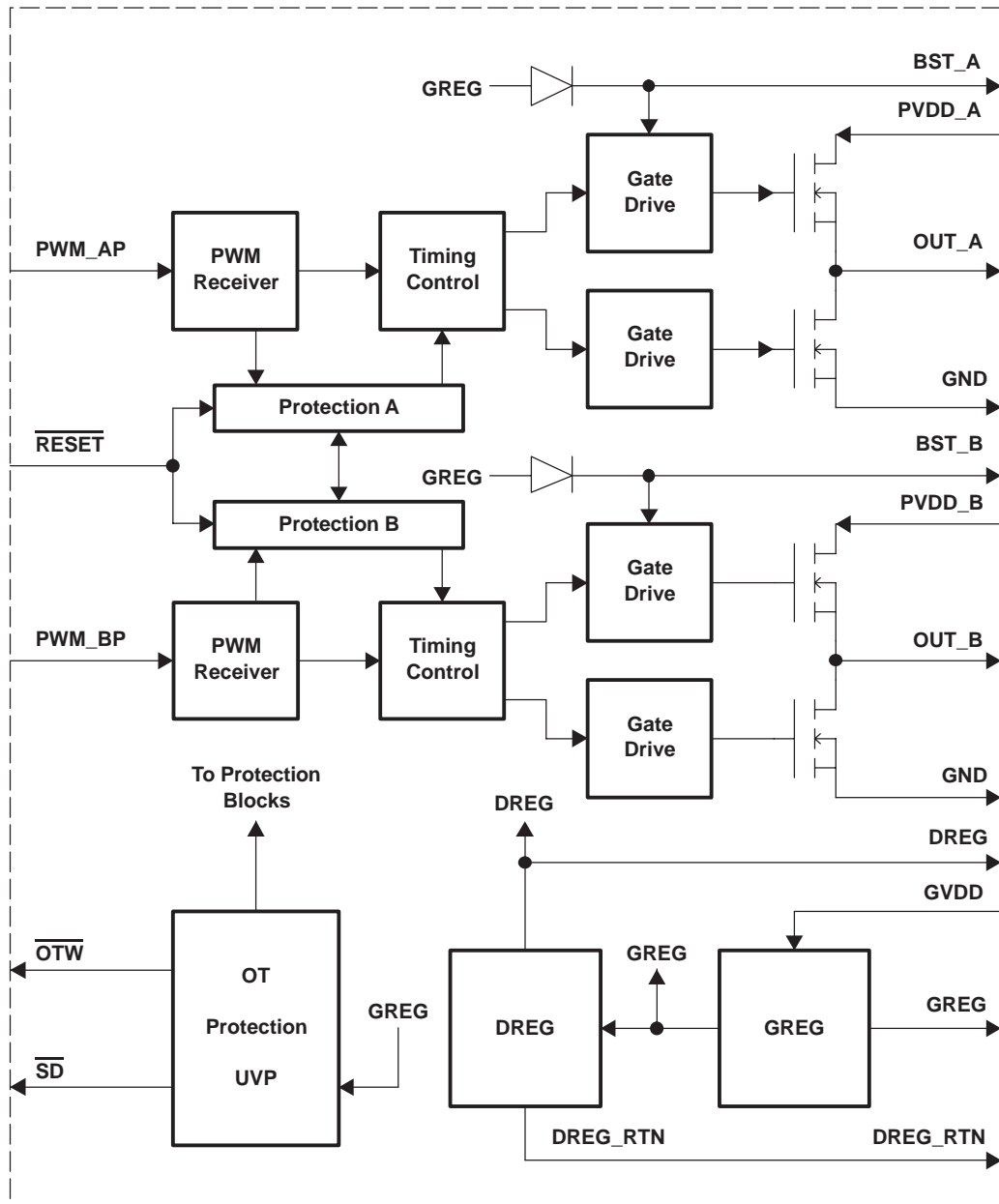
TERMINAL		FUNCTION(1)	DESCRIPTION
NAME	NO.		
BST_A	19	P	High side bootstrap supply (BST), external capacitor to OUT_A required
BST_B	30	P	High side bootstrap supply (BST), external capacitor to OUT_B required
DGND	8, 13	P	I/O reference ground
DREG	7	P	Digital supply voltage regulator decoupling pin, capacitor connected to DREG_RTN
DREG_RTN	4	P	Decoupling return pin
DVDD	11	P	I/O reference supply input (3.3 V): 100 $\Omega$ to DREG
GND	2, 15, 18, 24, 25, 31	P	Power ground
GREG	5	P	Gate drive voltage regulator decoupling pin, capacitor to GND
GVDD	17, 32	P	Voltage supply to on-chip gate drive and digital supply voltage regulators
M1	9	I	Mode selection pin
M2	10	I	Mode selection pin
M3	6	I	Mode selection pin
$\overline{\text{OTW}}$	14	O	Overtemperature warning output, open drain with internal pullup resistor
OUT_A	22, 23	O	Output, half-bridge A
OUT_B	26, 27	O	Output, half-bridge B
PVDD_A	20, 21	P	Power supply input for half-bridge A
PVDD_B	28, 29	P	Power supply input for half-bridge B
PWM_AP	16	I	Input signal, half-bridge A
PWM_BP	1	I	Input signal, half-bridge B
$\overline{\text{RESET}}$	3	I	Reset signal, active low
$\overline{\text{SD}}$	12	O	Shutdown signal for half-bridges A and B

(1) I = input, O = Output, P = Power

# TAS5111

SLES049D – JULY 2003 – REVISED MARCH 2004

## FUNCTIONAL BLOCK DIAGRAM



**RECOMMENDED OPERATING CONDITIONS**

			MIN	TYP	MAX	UNIT
DVDD	Digital supply <sup>(1)</sup>	Relative to DGND	3	3.3	3.6	V
GVDD	Supply for internal gate drive and logic regulators	Relative to GND	16	29.5	30.5	V
PVDD_x	Half-bridge supply	Relative to GND, $R_L = 4\ \Omega$ to $8\ \Omega$	0	29.5	30.5	V
$T_J$	Junction temperature		0		125	°C

(1) It is recommended for DVDD to be connected to DREG via a 100- $\Omega$  resistor.

**ELECTRICAL CHARACTERISTICS**

PVDD\_X = 29.5 V, GVDD = 29.5 V, DVDD connected to DREG via a 100- $\Omega$  resistor,  $R_L = 4\ \Omega$ ,  $8X\ f_S = 384\ \text{kHz}$ , unless otherwise noted

SYMBOL	PARAMETER	TEST CONDITIONS	TYPICAL	OVER TEMPERATURE				UNITS	MIN/TYP/ MAX
			$T_A = 25^\circ\text{C}$	$T_A = 25^\circ\text{C}$	$T_C = 75^\circ\text{C}$	$T_A = 40^\circ\text{C}$ to $85^\circ\text{C}$			
<b>AC PERFORMANCE, BTL Mode, 1 kHz</b>									
$P_o$	Output power	$R_L = 8\ \Omega$ , THD = 0.2%, AES17 filter			40			W	Typ
		$R_L = 8\ \Omega$ , THD = 10%, AES17 filter			53			W	Typ
		$R_L = 6\ \Omega$ , THD = 0.2%, AES17 filter			53			W	Typ
		$R_L = 6\ \Omega$ , THD = 10%, AES17 filter			68			W	Typ
		$R_L = 4\ \Omega$ , THD = 0.2%, AES17 filter			74			W	Typ
		$R_L = 4\ \Omega$ , THD = 10%, AES17 filter			93			W	Typ
THD+N	Total harmonic distortion + noise	$P_o = 1\ \text{W/channel}$ , $R_L = 4\ \Omega$ , AES17 filter			0.05%				Typ
		$P_o = 10\ \text{W/channel}$ , $R_L = 4\ \Omega$ , AES17 filter			0.03%				Typ
		$P_o = 70\ \text{W/channel}$ , $R_L = 4\ \Omega$ , AES17 filter			0.2%				Typ
$V_n$	Output integrated voltage noise	A-weighted, mute, $R_L = 4\ \Omega$ , 20 Hz to 20 kHz, AES17 filter			295			$\mu\text{V}$	Max
SNR	Signal-to-noise ratio	A-weighted, AES17 filter			95			dB	Typ
DR	Dynamic range	$f = 1\ \text{kHz}$ , A-weighted, AES17 filter			95			dB	Typ
<b>INTERNAL VOLTAGE REGULATOR</b>									
DREG	Voltage regulator	$I_o = 1\ \text{mA}$ , PVDD = 18 V–30.5 V	3.1					V	Min
								V	Max
GREG	Voltage regulator	$I_o = 1.2\ \text{mA}$ , PVDD = 18 V–30.5 V	13.4					V	Min
								V	Max
IVGDD	GVDD supply current, operating	$f_S = 384\ \text{kHz}$ , no load, 50% duty cycle		27				mA	Max
IDVDD	DVDD supply current, operating	$f_S = 384\ \text{kHz}$ , no load	1	5				mA	Max
<b>OUTPUT STAGE MOSFETS</b>									
$R_{on,LS}$	Forward on-resistance, low side	$T_J = 25^\circ\text{C}$	120	132				$\text{m}\Omega$	Max
$R_{on,HS}$	Forward on-resistance, high side	$T_J = 25^\circ\text{C}$	120	132				$\text{m}\Omega$	Max

# TAS5111

SLES049D – JULY 2003 – REVISED MARCH 2004

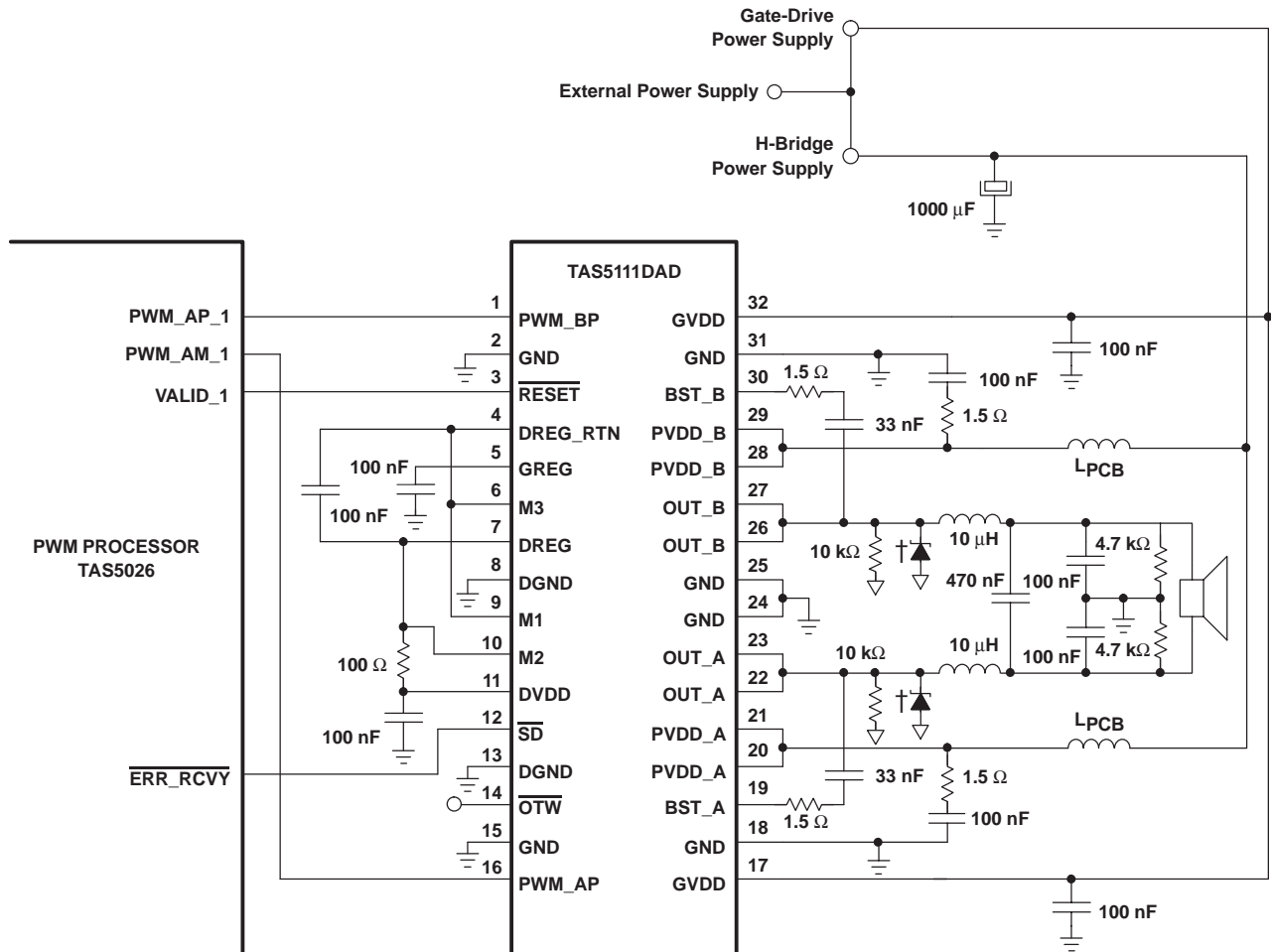
## ELECTRICAL CHARACTERISTICS

PVDD\_X = 29.5 V, GVDD = 29.5 V, connected to DREG via a 100-Ω resistor, R<sub>L</sub> = 4 Ω, 8X f<sub>S</sub> = 384 kHz, unless otherwise noted

SYMBOL	PARAMETER	TEST CONDITIONS	TYPICAL	OVER TEMPERATURE				UNITS	MIN/TYP/ MAX
			T <sub>A</sub> = 25°C	T <sub>A</sub> = 25°C	T <sub>C</sub> = 75°C	T <sub>A</sub> = 40°C to 85°C			
<b>INPUT/OUTPUT PROTECTION</b>									
V <sub>uvp,G</sub>	Undervoltage protection limit, GVDD	Set the DUT in normal operation mode with all the protections enabled. Sweep GVDD up and down. Monitor <u>SD</u> output. Record the GREG reading when <u>SD</u> is triggered.	7.4	6.9				V	Min
				7.9				V	Max
OTW	Overtemperature warning		125					°C	Typ
OTE	Overtemperature error		150					°C	Typ
OC	Overcurrent protection	See Note 1.	8					A	Typ
<b>STATIC DIGITAL SPECIFICATION</b>									
	PWM_AP, PWM_BP, M1, M2, M3, <u>SD</u> , <u>OTW</u>								
V <sub>IH</sub>	High-level input voltage			2				V	Min
				DVDD				V	Max
V <sub>IL</sub>	Low-level input voltage			0.8				V	Max
Leakage	Input leakage current			-10				μA	Min
				10				μA	Max
<b>OTW/SHUTDOWN (SD)</b>									
	Internally pull up R from <u>OTW/SD</u> to DVDD		28	22				kΩ	Min
V <sub>OL</sub>	Low-level output voltage	I <sub>O</sub> = 4 mA		0.4				V	Max

(1) To optimize device performance and prevent overcurrent (OC) protection tripping, the demodulation filter must be designed with special care. See *Demodulation Filter Design* in the *Application Information* section of the data sheet and consider the recommended inductors and capacitors for optimal performance. It is also important to consider PCB design and layout for optimum performance of the TAS5111. It is recommended to follow the TAS5026-5111KEVM (S/N 001) design and layout guidelines for best performance.

**SYSTEM CONFIGURATION USED FOR CHARACTERIZATION**



**L<sub>PCB</sub>** : TRACK IN THE PCB (1,0 mm wide and 50 mm long)

† Voltage suppressor diodes: 1SMA33CAT

TYPICAL CHARACTERISTICS AND SYSTEM PERFORMANCE  
OF TAS5111 EVM WITH TAS5026 PROCESSOR

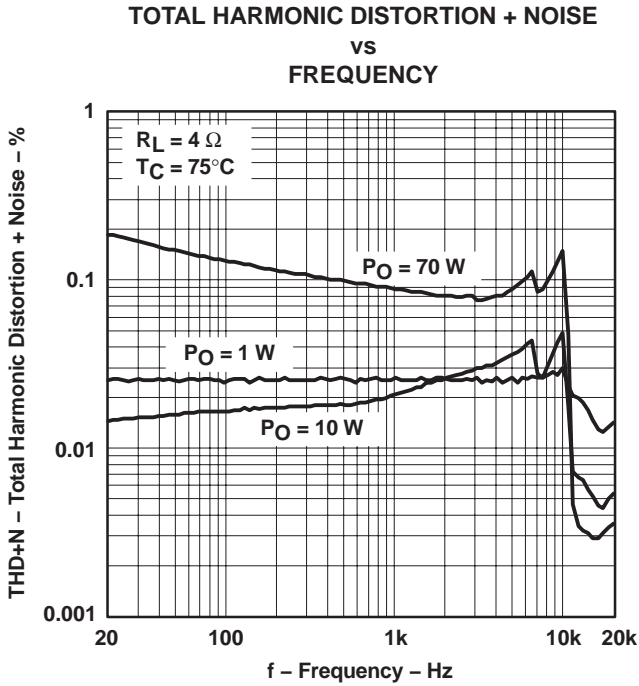


Figure 1

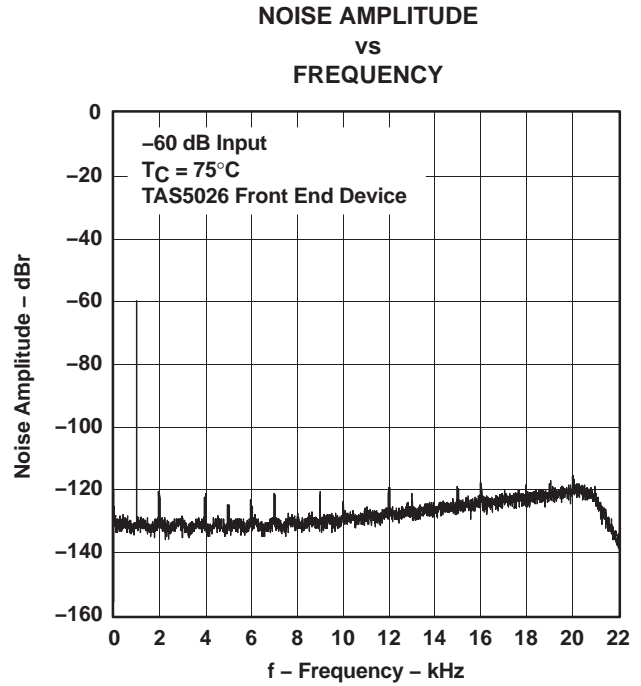


Figure 2

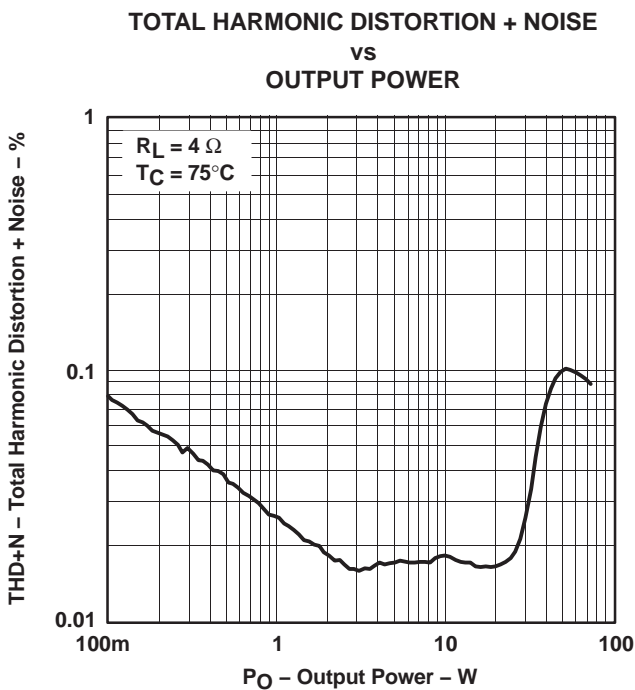


Figure 3

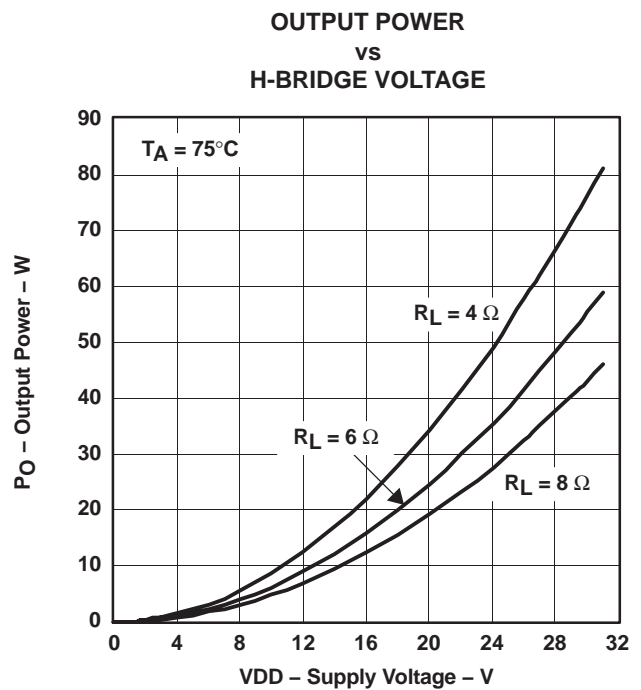
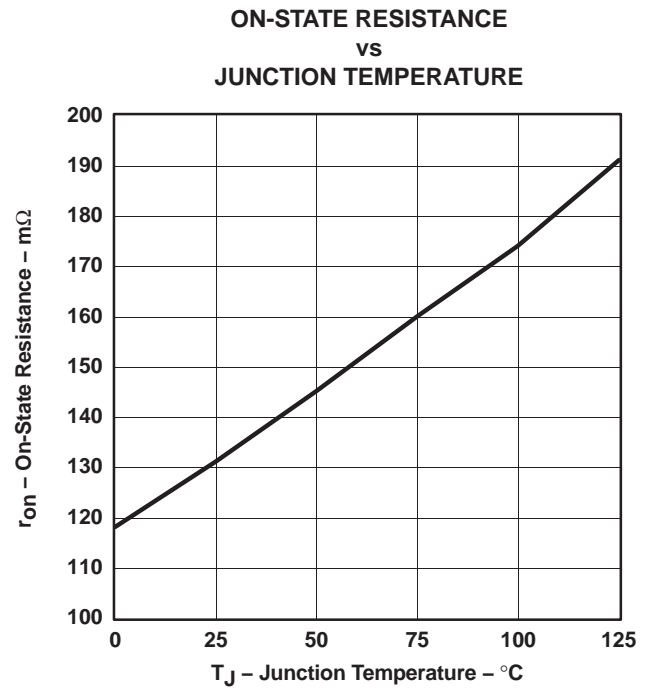
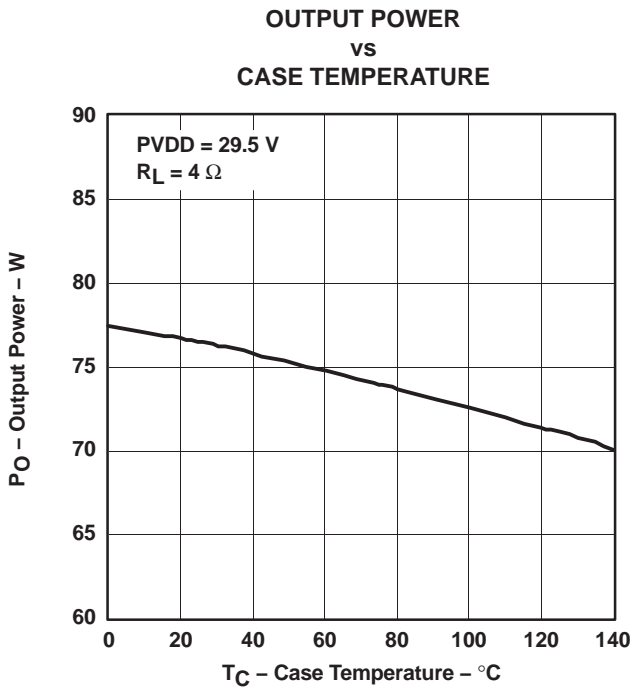
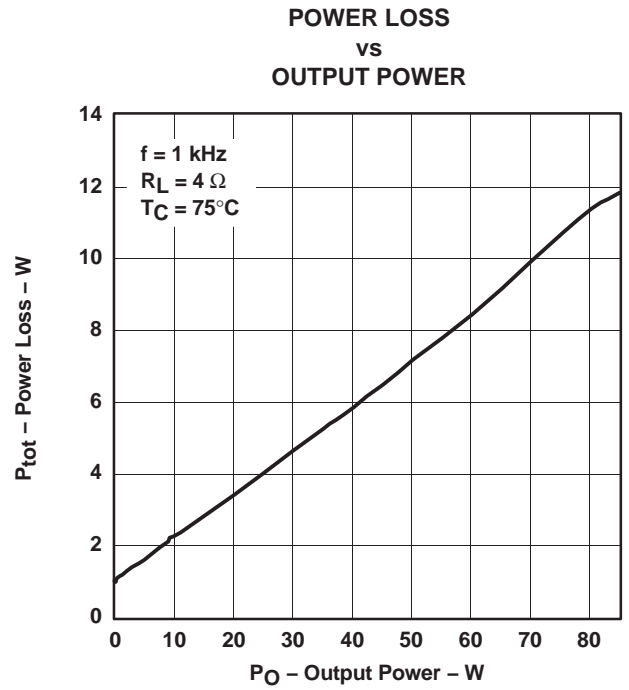
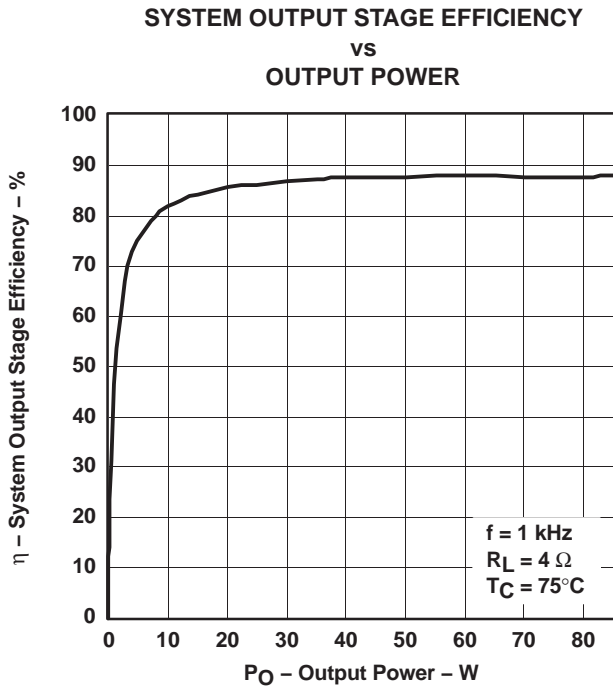


Figure 4





## THEORY OF OPERATION

### POWER SUPPLIES

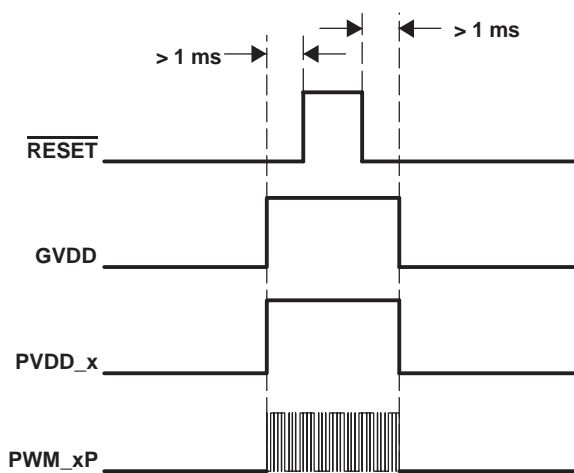
The power device only requires two supply voltages, GVDD and PVDD\_X.

GVDD is the gate drive supply for the device, regulated internally down to approximately 12 V, and decoupled with regards to board GND on the GREG pins through an external capacitor. GREG powers both the low side and high side via a bootstrap step-up conversion. The bootstrap supply is charged after the first low-side turnon pulse. Internal digital core voltage DREG is also derived from GVDD and regulated down by internal LDRs to 3.3 V.

The gate-driver LDR can be bypassed for reducing idle loss in the device by shorting GREG to GVDD and directly feeding in 12 V. This can be useful in an application where thermal conduction of heat from the device is difficult. Bypassing the LDR reduces dissipation by approximately 1 W at 30-V GVDD input.

PVDD\_X is the H-bridge power supply pin. Two power pins exist for each half-bridge to handle the current density. It is important that the circuitry recommendations around the PVDD\_X pins are followed carefully both topology- and layout-wise. For topology recommendations, see the *Typical System Configuration* section. For layout recommendations, see the reference design layout for the TAS5111. Following these recommendations is important for parameters like EMI, reliability, and performance.

### POWERING UP



**NOTE:** PVDD should not be powered up before GVDD.

During power up when  $\overline{\text{RESET}}$  is asserted LOW, all MOSFETs are turned off and the two internal half-bridges are in the high-impedance state (Hi-Z). The bootstrap capacitors supplying high-side gate drive are at this point not charged. To comply with the click and pop scheme and use of non-TI TDAA modulators, it is recommended to use a 4-k $\Omega$  pulldown resistor on each PWM output node to

ground. This precharges the bootstrap supply capacitors and discharges the output filter capacitor (see the *Typical TAS5111 Application Configuration* section).

After GVDD has been applied, it takes approximately 800  $\mu\text{s}$  to fully charge the BST capacitor. Within this time,  $\overline{\text{RESET}}$  must be kept low. After approximately 1 ms, the back-end bootstrap capacitor is charged.

$\overline{\text{RESET}}$  can now be released if the modulator is powered up and streaming valid PWM signals to the back-end PWM\_xP. Valid means a switching PWM signal which complies with the frequency and duty cycle ranges stated in the *Recommended Operating Conditions*.

A constant HIGH dc level on the PWM\_xP is not permitted, because it would force the high-side MOSFET ON until it eventually runs out of BST capacitor energy and might damage the device.

An unknown state of the PWM output signals from the modulator is not permitted, which in practice means that the PWM processor must be powered up and initialized before  $\overline{\text{RESET}}$  is de-asserted HIGH to the back end.

### POWERING DOWN

For power down of the back end, an opposite approach is necessary. The  $\overline{\text{RESET}}$  must be asserted LOW before the valid PWM signal is removed.

When TI TDAA modulators are used with TI TDAA back ends, the correct timing control of  $\overline{\text{RESET}}$  and PWM\_xP is performed by the modulator.

### PRECAUTION

The TAS5111 must always start up in the high-impedance (Hi-Z) state. In this state, the bootstrap (BST) capacitor is precharged by a resistor on each PWM output node to ground. See the system configuration. This ensures that the back end is ready for receiving PWM pulses, indicating either HIGH- or LOW-side turnon after  $\overline{\text{RESET}}$  is de-asserted to the back end.

With the following pulldown resistor and BST capacitor size, the charge time is:

$$C = 33 \text{ nF}, R = 4.7 \text{ k}\Omega$$

$$R \times C \times 5 = 775.5 \mu\text{s}$$

After GVDD has been applied, it takes approximately 800  $\mu\text{s}$  to fully charge the BST capacitor. During this time,  $\overline{\text{RESET}}$  must be kept low. After approximately 1 ms, the back-end BST is charged and ready.  $\overline{\text{RESET}}$  can now be released if the PWM modulator is ready and is streaming valid PWM signals to the back end. Valid PWM signals are switching PWM signals with a frequency between 350–400 kHz. A constant HIGH level on the PWM+ would force the high side MOSFET ON until it eventually ran out of BST capacitor energy. Putting the device in this condition should be avoided.

In practice, this means that the DVDD-to-PWM processor (front-end) should be stable and initialization should be completed before  $\overline{\text{RESET}}$  is de-asserted to the back end.

## CONTROL I/O

### Shutdown Pin: $\overline{\text{SD}}$

The  $\overline{\text{SD}}$  pin functions as an output pin and is intended for protection-mode signaling to, for example, a controller or other front-end device. The pin is open-drain with an internal pullup to DVDD.

The logic output is, as shown in the following table, a combination of the device state and  $\overline{\text{RESET}}$  input:

$\overline{\text{SD}}$	$\overline{\text{RESET}}$	DESCRIPTION
0	0	Not used
0	1	Device in protection mode, i.e., UVP and/or OC and/or OT error
1 <sup>(1)</sup>	0	Device set high-impedance (Hi-Z), $\overline{\text{SD}}$ forced high
1	1	Normal operation

<sup>(1)</sup>  $\overline{\text{SD}}$  is pulled high when  $\overline{\text{RESET}}$  is asserted low independent of chip state (i.e., protection mode). This is desirable to maintain compatibility with some TI PWM front ends.

### Temperature Warning Pin: $\overline{\text{OTW}}$

The  $\overline{\text{OTW}}$  pin gives a temperature warning signal when temperature exceeds the set limit. The pin is of the open-drain type with an internal pullup to DVDD.

$\overline{\text{OTW}}$	DESCRIPTION
0	Junction temperature higher than 125°C
1	Junction temperature lower than 125°C

## Overall Reporting

The  $\overline{\text{SD}}$  pin, together with the  $\overline{\text{OTW}}$  pin, gives chip state information as described in Table 1.

**Table 1. Error Signal Decoding**

$\overline{\text{OTW}}$	$\overline{\text{SD}}$	DESCRIPTION
0	0	Overtemperature error (OTE)
0	1	Overtemperature warning (OTW)
1	0	Overcurrent (OC) or undervoltage (UVP) error
1	1	Normal operation, no errors/warnings

## Chip Protection

The TAS5111 protection function is implemented in a closed loop with, for example, a system controller or other TI PWM processor (front-end) device. The TAS5111 contains three individual systems protecting the device against misuse. All of the error events covered result in the output stage being set in a high-impedance state (Hi-Z) for maximum protection of the device and connected equipment.

The device can be recovered by toggling  $\overline{\text{RESET}}$  low and then high, after all errors are cleared.

### Overcurrent (OC) Protection

The device has individual forward current protection on both high-side and low-side power stage FETs. The OC protection works only with the demodulation filter present at the output. See *Filter Demodulation Design* in the *Application Information* section of the data sheet for design constraints.

### Overtemperature (OT) Protection

A dual temperature protection system asserts a warning signal when the device junction temperature exceeds 125°C. The OT protection circuit is shared by all half-bridges.

### Undervoltage (UV) Protection

Undervoltage lockout occurs when GVDD is insufficient for proper device operation. The UV protection system protects the device under power-up and power-down situations. The UV protection circuits are shared by all half-bridges.

### Reset Function

The function of the reset input is twofold:

- Reset is used for re-enabling operation after a latching error event.
- Reset is used for disabling output stage switching (mute function).

In PMODEs where the reset input functions as the means to re-enable operation after an error event, the error latch is cleared on the falling edge of reset and normal operation is resumed when reset goes high.

## PROTECTION MODE

### Autorecovery (AR) After Errors (PMODE0)

In autorecovery mode (PMODE0) the TAS5111 is self-supported in handling of error situations. All protection systems are active, setting the output stage in the high-impedance state to protect the output stage and connected equipment. However, after a short time the device autorecovers, i.e., operation is automatically resumed provided that the system is fully operational.

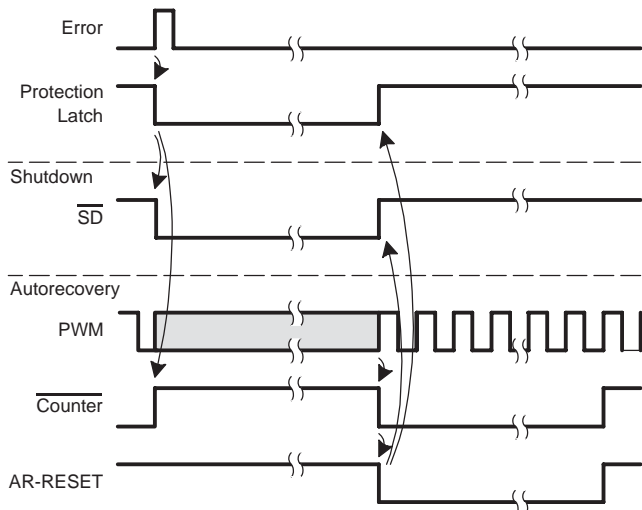
The autorecovery timing is set by counting PWM input cycles, i.e., the timing is relative to the switching frequency.

The AR system is common to both half-bridges.

## Timing and Function

The function of the autorecovery circuit is as follows:

1. An error event occurs and sets the protection latch (output stage goes Hi-Z).
2. The counter is started.
3. After  $n/2$  cycles, the protection latch is cleared but the output stage remains Hi-Z (identical to pulling  $\overline{\text{RESET}}$  low).
4. After  $n$  cycles, operation is resumed (identical to pulling  $\overline{\text{RESET}}$  high) ( $n = 512$ ).



**Figure 9. Autorecovery Function**

### Latching Shutdown on All Errors (PMODE1)

In latching shutdown mode, all error situations result in a power down (output stage Hi-Z). Re-enabling can be done by toggling the  $\overline{\text{RESET}}$  pin.

### All Protection Systems Disabled (PMODE2)

In PMODE2, all protection systems are disabled. This mode is purely intended for testing and characterization purposes and thus not recommended for normal device operation.

### MODE Pins Selection

The protection mode is selected by shorting M1/M2 to DREG or DGND according to Table 2.

**Table 2. Protection Mode Selection**

M1	M2	PROTECTION MODE
0	0	Autorecovery after errors (PMODE 0)
0	1	Latching shutdown on all errors (PMODE 1)
1	0	All protection systems disabled (PMODE 2)
1	1	Reserved

The output configuration mode is selected by shorting the M3 pin to DREG or DGND according to Table 3.

**Table 3. Output Mode Selection**

M3	OUTPUT MODE
0	Bridge-tied load output stage (BTL)
1	Reserved

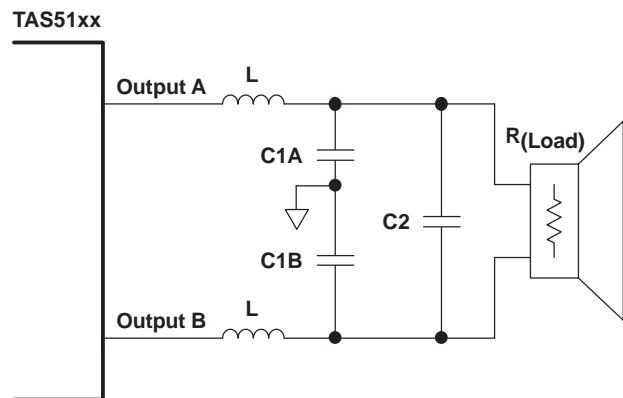
## APPLICATION INFORMATION

### DEMODULATION FILTER DESIGN AND SPIKE CONSIDERATIONS

The output square wave is susceptible to overshoots (voltage spikes). The spike characteristics depend on many elements, including silicon design and application design and layout. The device should be able to handle narrow spike pulses, less than 65 ns, up to 65 volts peak. For more detailed information, see TI application note SLEA025.

The TDAA amplifier outputs are driven by heavy-duty DMOS transistors in an H-bridge configuration. These transistors are either off or fully on, which reduces the DMOS transistor on-state resistance,  $R(\text{DMOSon})$ , and the power dissipated in the device, thereby increasing efficiency.

The result is a square-wave output signal with a duty cycle that is proportional to the amplitude of the audio signal. It is recommended that a second-order LC filter be used to recover the audio signal. For this application, EMI is considered important; therefore, the selected filter is the full-output type shown in Figure 10.



**Figure 10. Demodulation Filter**

The main purpose of the output filter is to attenuate the high-frequency switching component of the TDAA amplifier while preserving the signals in the audio band.

Design of the demodulation filter affects the performance of the power amplifier significantly. As a result, to ensure proper operation of the overcurrent (OC) protection circuit and meet the device THD+N specifications, the selection of the inductors used in the output filter must be considered according to the following. The rule is that the inductance should remain stable within the range of peak current seen at maximum output power and deliver at least 5  $\mu\text{H}$  of inductance at 15 A.

If this rule is observed, the TAS5111 does not have distortion issues due to the output inductors, and overcurrent conditions do not occur due to inductor saturation in the output filter.

Another parameter to be considered is the idle current loss in the inductor. This can be measured or specified as inductor dissipation (D). The target specification for dissipation is less than 0.05.

In general, 10- $\mu$ H inductors suffice for most applications. The frequency response of the amplifier is slightly altered by the change in output load resistance; however, unless tight control of frequency response is necessary (better than 0.5 dB), it is not necessary to deviate from 10  $\mu$ H.

The graph in Figure 11 displays the inductance vs current characteristics of two inductors that are recommended for use with the TAS5111.

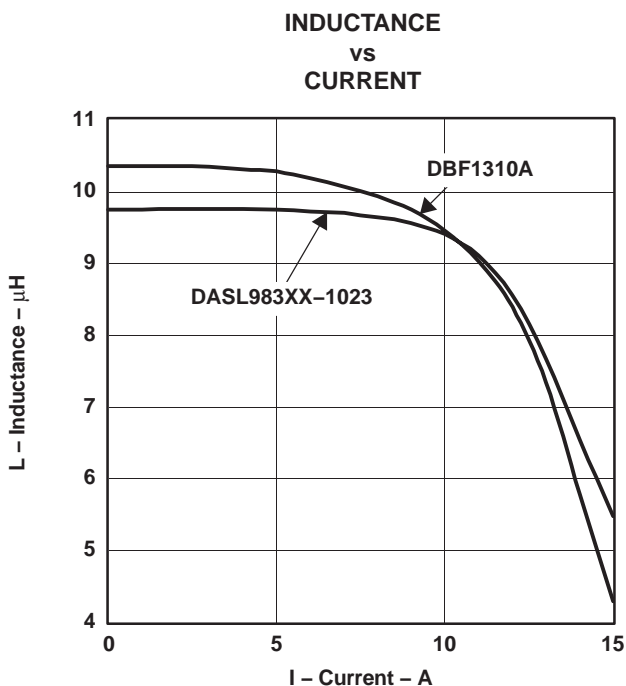


Figure 11. Inductance Saturation

The selection of the capacitor that is placed across the output of each inductor (C2 in Figure 10) is simple. To complete the output filter, use a 0.47- $\mu$ F capacitor with a voltage rating at least twice the voltage applied to the output stage (PVDD).

This capacitor should be a good quality polyester dielectric such as a Wima MKS2-047ufd/100/10 or equivalent.

In order to minimize the EMI effect of unbalanced ripple loss in the inductors, 0.1- $\mu$ F, 50-V, SMD capacitors (X7R or better) (C1A and C1B in Figure 10) should be added from the output of each inductor to ground.

## THERMAL INFORMATION

The thermally augmented package provided with the TAS5111 is designed to be interfaced directly to a heatsink using a thermal interface compound (for example, Wakefield Engineering type 126 thermal grease.) The heatsink then absorbs heat from the ICs and couples it to the local air. If the heatsink is carefully designed, this process can reach equilibrium and heat can be continually removed from the ICs. Because of the efficiency of the TAS5111, heatsinks are smaller than those required for linear amplifiers of equivalent performance.

$R_{\theta JA}$  is a system thermal resistance from junction to ambient air. As such, it is a system parameter with roughly the following components:

- $R_{\theta JC}$  (the thermal resistance from junction to case, or in this case the metal pad)
- Thermal grease thermal resistance
- Heatsink thermal resistance

$R_{\theta JC}$  has been provided in the *General Information* section.

The thermal grease thermal resistance can be calculated from the exposed pad area and the thermal grease manufacturer's area thermal resistance (expressed in  $^{\circ}\text{C}\text{-in}^2/\text{W}$ ). The area thermal resistance of the example thermal grease with a 0.001-inch thick layer is about  $0.054^{\circ}\text{C}\text{-in}^2/\text{W}$ . The approximate exposed pad area is  $0.0164\text{ in}^2$ .

Dividing the example thermal grease area resistance by the area of the pad gives the actual resistance through the thermal grease,  $3.3^{\circ}\text{C}/\text{W}$ .

Heatsink thermal resistance is generally predicted by the heatsink vendor, modeled using a continuous flow dynamics (CFD) model, or measured.

Thus, for a single monaural IC, the system  $R_{\theta JA} = R_{\theta JC} +$  thermal grease resistance + heatsink resistance.

The following table indicates modeled parameters for one TAS5111 IC on a heatsink. The junction temperature is set at  $110^{\circ}\text{C}$  in both cases while delivering 70 W RMS into 4- $\Omega$  loads with no clipping. It is assumed that the thermal grease is about 0.001 inch thick (this is critical).

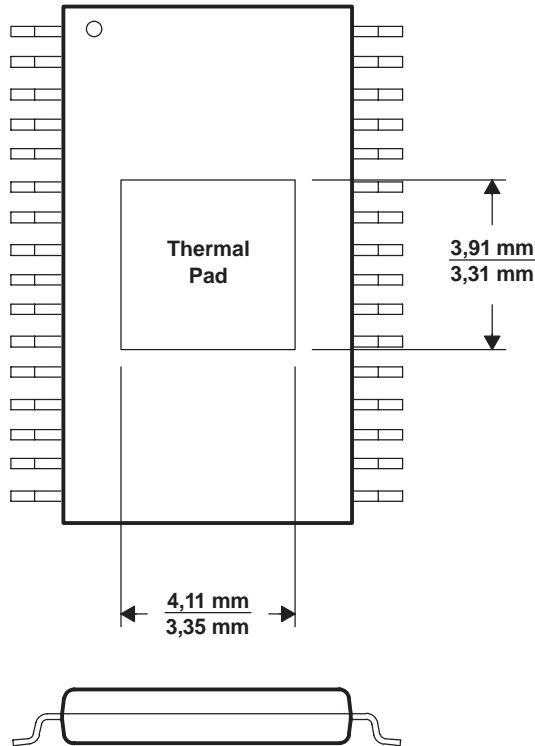
	32-Pin TSSOP
Ambient temperature	$25^{\circ}\text{C}$
Power to load	70 W
Delta T inside package	$12.3^{\circ}\text{C}$
Delta T through thermal grease	$21.1^{\circ}\text{C}$
Required heatsink thermal resistance	$8.2^{\circ}\text{C}/\text{W}$
Junction temperature	$110^{\circ}\text{C}$
System $R_{\theta JA}$	$13.2^{\circ}\text{C}/\text{W}$
$R_{\theta JA} \times$ power dissipation	$85^{\circ}\text{C}$



# TAS5111

SLES049D – JULY 2003 – REVISED MARCH 2004

As an indication of the importance of keeping the thermal grease layer thin, if the thermal grease layer increases to 0.002 inches thick, the required heatsink thermal resistance changes to 2.4°C/W.



## CLICK AND POP REDUCTION

Going from nonswitching to switching operation causes a spectral energy burst to occur within the audio bandwidth, which is heard in the speaker as an audible click, for instance, after having asserted  $\overline{\text{RESET}}_{\text{LH}}$  during a system start-up.

To make this system work properly, the following design rules must be followed when using the TAS5111 back end:

- The relative timing between the PWM<sub>AP/M\_x</sub> signals and their corresponding VALID<sub>x</sub> signal should not be skewed by inserting delays, because this increases the audible amplitude level of the click.
- The output stage must start switching from a fully discharged output filter capacitor. Because the output stage prior to operation is in the high-impedance state, this is done by having a passive pulldown resistor on each speaker output to GND (see *Typical System Configuration*).

Other things that can affect the audible click level:

- The spectrum of the click seems to follow the speaker impedance vs. frequency curve—the higher the impedance, the higher the click energy.
- Crossover filters used between woofer and tweeter in a speaker can have high impedance in the audio band, which should be avoided if possible.

Another way to look at it is that the speaker impulse response is a major contributor to how the click energy is shaped in the audio band and how audible the click is.

The following mode transitions feature click and pop reduction.

STATE	CLICK AND POP REDUCED
Normal <sup>(1)</sup> → Mute	Yes
Mute → Normal <sup>(1)</sup>	Yes
Normal <sup>(1)</sup> → Error recovery (ERRCVY)	Yes
Error recovery → Normal <sup>(1)</sup>	Yes
Normal <sup>(1)</sup> → Hard Reset	No
Hard Reset → Normal <sup>(1)</sup>	Yes

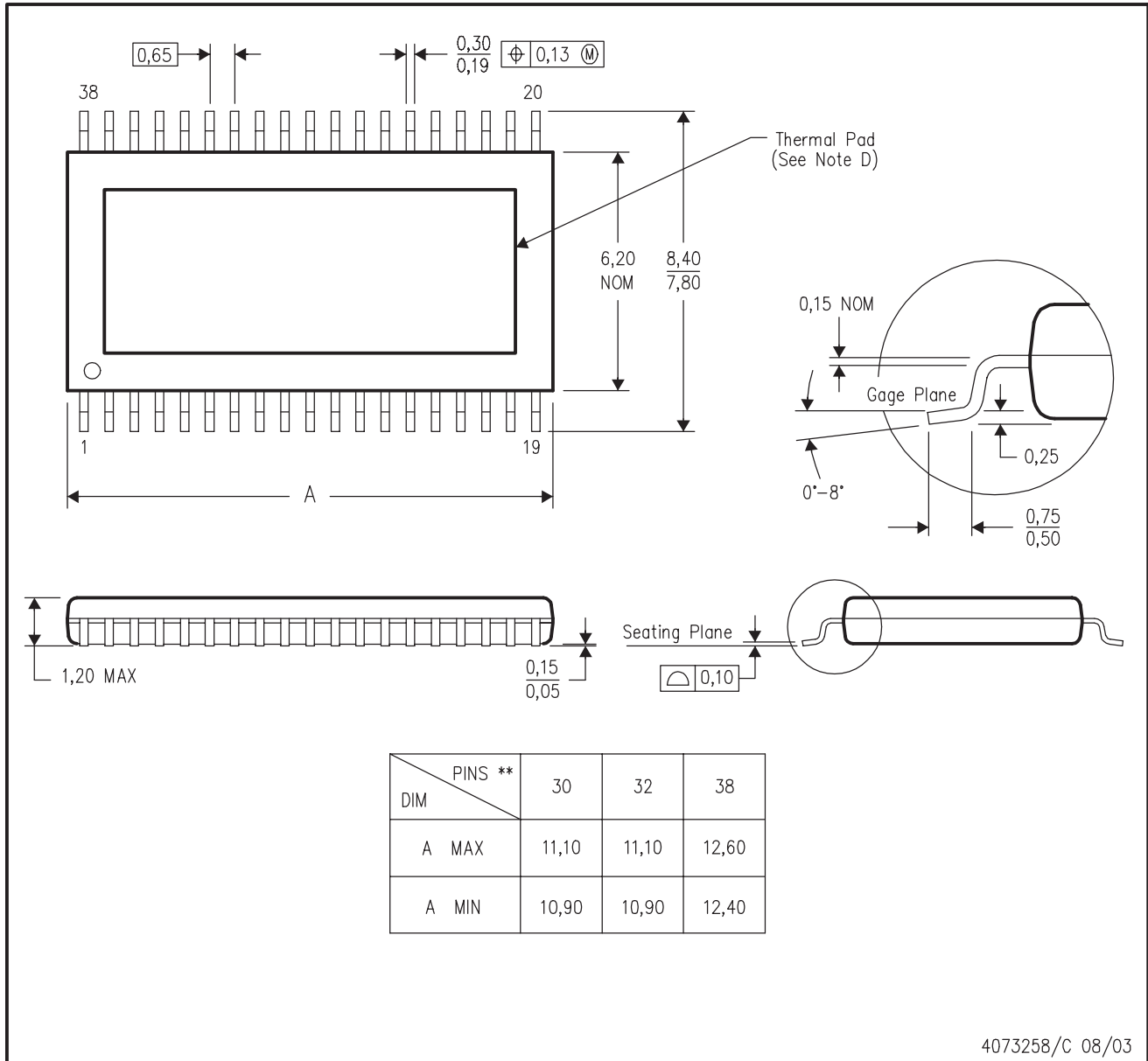
<sup>(1)</sup> Normal = switching

## REFERENCES

1. *TAS5000 Digital Audio PWM Processor* data manual—TI (SLAS270)
2. *True Digital Audio Amplifier TAS5001 Digital Audio PWM Processor* data sheet—TI (SLES009)
3. *True Digital Audio Amplifier TAS5010 Digital Audio PWM Processor* data sheet—TI (SLAS328)
4. *True Digital Audio Amplifier TAS5012 Digital Audio PWM Processor* data sheet—TI (SLES006)
5. *TAS5026 Six-Channel Digital Audio PWM Processor* data manual—TI (SLES041)
6. *TAS5036A Six-Channel Digital Audio PWM Processor* data manual—TI (SLES061)
7. *TAS3103 Digital Audio Processor With 3D Effects* data manual—TI (SLES038)
8. *Digital Audio Measurements* application report—TI (SLAA114)
9. *PowerPAD™ Thermally Enhanced Package* technical brief—TI (SLMA002)
10. *System Design Considerations for True Digital Audio Power Amplifiers* application report—TI (SLAA117)

**DAD (R-PDSO-G\*\*) PowerPAD™ PLASTIC SMALL-OUTLINE (DIE DOWN)**

38 PIN SHOWN



- NOTES:
- A. All linear dimensions are in millimeters.
  - B. This drawing is subject to change without notice.
  - C. Body dimensions do not include mold flash or protrusion.
  - D. The package thermal performance may be enhanced by attaching an external heatsink to the thermal pad. This pad is electrically and thermally connected to the backside of the die and possibly selected leads.
  - E. Falls within JEDEC MO-153

PowerPAD is a trademark of Texas Instruments.

**PACKAGING INFORMATION**

Orderable Device	Status <sup>(1)</sup>	Package Type	Package Drawing	Pins	Package Qty	Eco Plan <sup>(2)</sup>	Lead/Ball Finish	MSL Peak Temp <sup>(3)</sup>
TAS5111DAD	NRND	HTSSOP	DAD	32	46	Green (RoHS & no Sb/Br)	CU NIPDAU	Level-3-260C-168 HR
TAS5111DADG4	NRND	HTSSOP	DAD	32	46	Green (RoHS & no Sb/Br)	CU NIPDAU	Level-3-260C-168 HR
TAS5111DADR	NRND	HTSSOP	DAD	32	2000	Green (RoHS & no Sb/Br)	CU NIPDAU	Level-3-260C-168 HR
TAS5111DADRG4	NRND	HTSSOP	DAD	32	2000	Green (RoHS & no Sb/Br)	CU NIPDAU	Level-3-260C-168 HR

<sup>(1)</sup> The marketing status values are defined as follows:

**ACTIVE:** Product device recommended for new designs.

**LIFEBUY:** TI has announced that the device will be discontinued, and a lifetime-buy period is in effect.

**NRND:** Not recommended for new designs. Device is in production to support existing customers, but TI does not recommend using this part in a new design.

**PREVIEW:** Device has been announced but is not in production. Samples may or may not be available.

**OBSOLETE:** TI has discontinued the production of the device.

<sup>(2)</sup> Eco Plan - The planned eco-friendly classification: Pb-Free (RoHS), Pb-Free (RoHS Exempt), or Green (RoHS & no Sb/Br) - please check <http://www.ti.com/productcontent> for the latest availability information and additional product content details.

**TBD:** The Pb-Free/Green conversion plan has not been defined.

**Pb-Free (RoHS):** TI's terms "Lead-Free" or "Pb-Free" mean semiconductor products that are compatible with the current RoHS requirements for all 6 substances, including the requirement that lead not exceed 0.1% by weight in homogeneous materials. Where designed to be soldered at high temperatures, TI Pb-Free products are suitable for use in specified lead-free processes.

**Pb-Free (RoHS Exempt):** This component has a RoHS exemption for either 1) lead-based flip-chip solder bumps used between the die and package, or 2) lead-based die adhesive used between the die and leadframe. The component is otherwise considered Pb-Free (RoHS compatible) as defined above.

**Green (RoHS & no Sb/Br):** TI defines "Green" to mean Pb-Free (RoHS compatible), and free of Bromine (Br) and Antimony (Sb) based flame retardants (Br or Sb do not exceed 0.1% by weight in homogeneous material)

<sup>(3)</sup> MSL, Peak Temp. -- The Moisture Sensitivity Level rating according to the JEDEC industry standard classifications, and peak solder temperature.

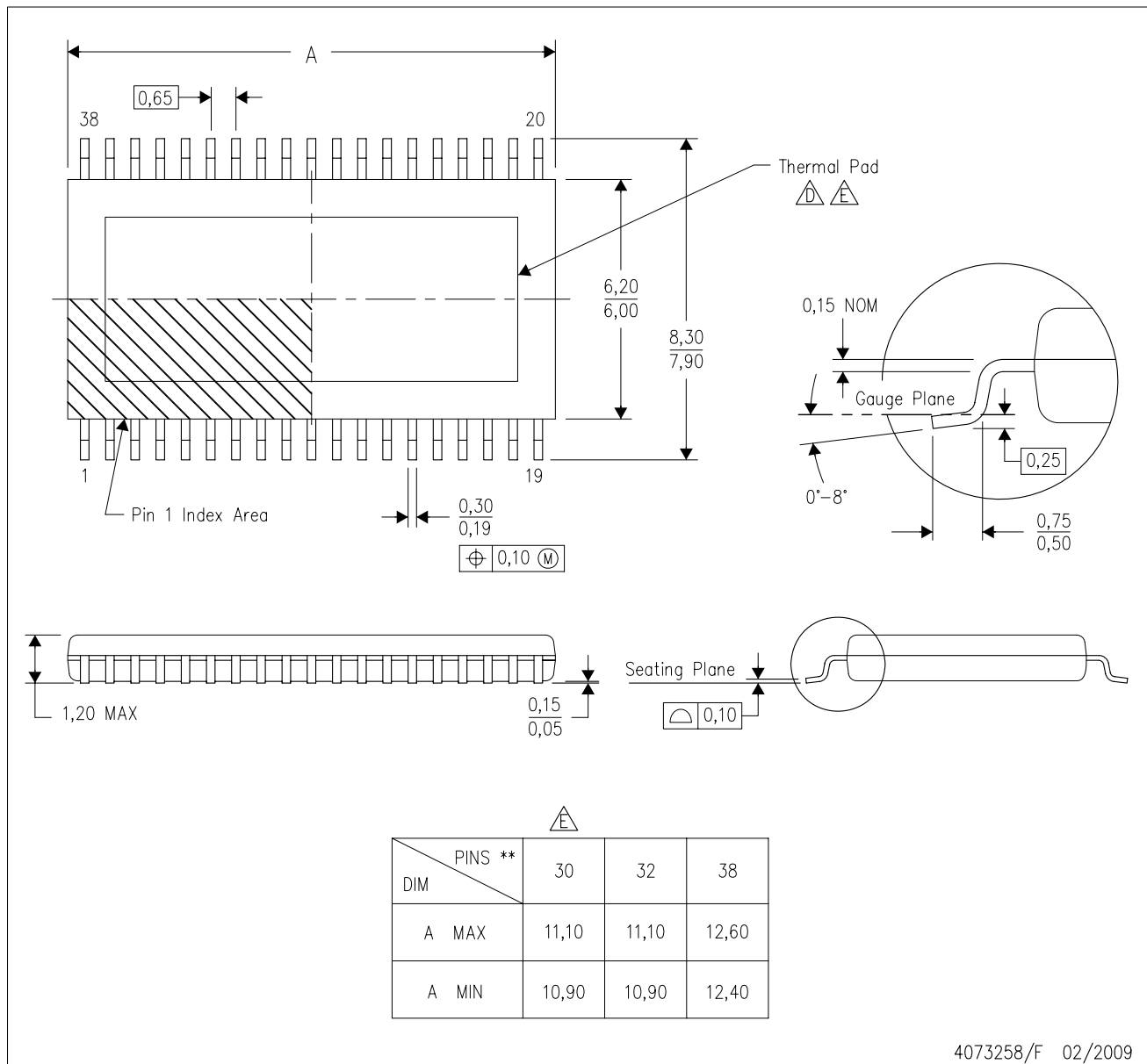
**Important Information and Disclaimer:**The information provided on this page represents TI's knowledge and belief as of the date that it is provided. TI bases its knowledge and belief on information provided by third parties, and makes no representation or warranty as to the accuracy of such information. Efforts are underway to better integrate information from third parties. TI has taken and continues to take reasonable steps to provide representative and accurate information but may not have conducted destructive testing or chemical analysis on incoming materials and chemicals. TI and TI suppliers consider certain information to be proprietary, and thus CAS numbers and other limited information may not be available for release.

In no event shall TI's liability arising out of such information exceed the total purchase price of the TI part(s) at issue in this document sold by TI to Customer on an annual basis.



# MECHANICAL DATA

DAD (R-PDSO-G\*\*) PowerPAD™ PLASTIC SMALL-OUTLINE (DIE DOWN)  
38 PIN SHOWN



- NOTES:
- A. All linear dimensions are in millimeters. Dimensioning and tolerancing per ASME Y14.5M-1994.
  - B. This drawing is subject to change without notice.
  - C. Body dimensions do not include mold flash or protrusion. Mold flash and protrusion shall not exceed 0.15 per side.
  - ⚠ This package is designed to be attached directly to an external heatsink. Refer to Technical Brief, PowerPAD Thermally Enhanced Package, Texas Instruments Literature No. SLMA002 for information regarding recommended board layout. This document is available at [www.ti.com](http://www.ti.com) <<http://www.ti.com>>.
  - ⚠ See the product data sheet for details regarding the exposed thermal pad dimensions.
  - ⚠ Falls within JEDEC MO-153, except 30 pin body length and JEDEC variations for top side thermal pad.

PowerPAD is a trademark of Texas Instruments.

## IMPORTANT NOTICE

Texas Instruments Incorporated and its subsidiaries (TI) reserve the right to make corrections, modifications, enhancements, improvements, and other changes to its products and services at any time and to discontinue any product or service without notice. Customers should obtain the latest relevant information before placing orders and should verify that such information is current and complete. All products are sold subject to TI's terms and conditions of sale supplied at the time of order acknowledgment.

TI warrants performance of its hardware products to the specifications applicable at the time of sale in accordance with TI's standard warranty. Testing and other quality control techniques are used to the extent TI deems necessary to support this warranty. Except where mandated by government requirements, testing of all parameters of each product is not necessarily performed.

TI assumes no liability for applications assistance or customer product design. Customers are responsible for their products and applications using TI components. To minimize the risks associated with customer products and applications, customers should provide adequate design and operating safeguards.

TI does not warrant or represent that any license, either express or implied, is granted under any TI patent right, copyright, mask work right, or other TI intellectual property right relating to any combination, machine, or process in which TI products or services are used. Information published by TI regarding third-party products or services does not constitute a license from TI to use such products or services or a warranty or endorsement thereof. Use of such information may require a license from a third party under the patents or other intellectual property of the third party, or a license from TI under the patents or other intellectual property of TI.

Reproduction of TI information in TI data books or data sheets is permissible only if reproduction is without alteration and is accompanied by all associated warranties, conditions, limitations, and notices. Reproduction of this information with alteration is an unfair and deceptive business practice. TI is not responsible or liable for such altered documentation. Information of third parties may be subject to additional restrictions.

Resale of TI products or services with statements different from or beyond the parameters stated by TI for that product or service voids all express and any implied warranties for the associated TI product or service and is an unfair and deceptive business practice. TI is not responsible or liable for any such statements.

TI products are not authorized for use in safety-critical applications (such as life support) where a failure of the TI product would reasonably be expected to cause severe personal injury or death, unless officers of the parties have executed an agreement specifically governing such use. Buyers represent that they have all necessary expertise in the safety and regulatory ramifications of their applications, and acknowledge and agree that they are solely responsible for all legal, regulatory and safety-related requirements concerning their products and any use of TI products in such safety-critical applications, notwithstanding any applications-related information or support that may be provided by TI. Further, Buyers must fully indemnify TI and its representatives against any damages arising out of the use of TI products in such safety-critical applications.

TI products are neither designed nor intended for use in military/aerospace applications or environments unless the TI products are specifically designated by TI as military-grade or "enhanced plastic." Only products designated by TI as military-grade meet military specifications. Buyers acknowledge and agree that any such use of TI products which TI has not designated as military-grade is solely at the Buyer's risk, and that they are solely responsible for compliance with all legal and regulatory requirements in connection with such use.

TI products are neither designed nor intended for use in automotive applications or environments unless the specific TI products are designated by TI as compliant with ISO/TS 16949 requirements. Buyers acknowledge and agree that, if they use any non-designated products in automotive applications, TI will not be responsible for any failure to meet such requirements.

Following are URLs where you can obtain information on other Texas Instruments products and application solutions:

<b>Products</b>		<b>Applications</b>	
Amplifiers	<a href="http://amplifier.ti.com">amplifier.ti.com</a>	Audio	<a href="http://www.ti.com/audio">www.ti.com/audio</a>
Data Converters	<a href="http://dataconverter.ti.com">dataconverter.ti.com</a>	Automotive	<a href="http://www.ti.com/automotive">www.ti.com/automotive</a>
DLP® Products	<a href="http://www.dlp.com">www.dlp.com</a>	Communications and Telecom	<a href="http://www.ti.com/communications">www.ti.com/communications</a>
DSP	<a href="http://dsp.ti.com">dsp.ti.com</a>	Computers and Peripherals	<a href="http://www.ti.com/computers">www.ti.com/computers</a>
Clocks and Timers	<a href="http://www.ti.com/clocks">www.ti.com/clocks</a>	Consumer Electronics	<a href="http://www.ti.com/consumer-apps">www.ti.com/consumer-apps</a>
Interface	<a href="http://interface.ti.com">interface.ti.com</a>	Energy	<a href="http://www.ti.com/energy">www.ti.com/energy</a>
Logic	<a href="http://logic.ti.com">logic.ti.com</a>	Industrial	<a href="http://www.ti.com/industrial">www.ti.com/industrial</a>
Power Mgmt	<a href="http://power.ti.com">power.ti.com</a>	Medical	<a href="http://www.ti.com/medical">www.ti.com/medical</a>
Microcontrollers	<a href="http://microcontroller.ti.com">microcontroller.ti.com</a>	Security	<a href="http://www.ti.com/security">www.ti.com/security</a>
RFID	<a href="http://www.ti-rfid.com">www.ti-rfid.com</a>	Space, Avionics & Defense	<a href="http://www.ti.com/space-avionics-defense">www.ti.com/space-avionics-defense</a>
RF/IF and ZigBee® Solutions	<a href="http://www.ti.com/lprf">www.ti.com/lprf</a>	Video and Imaging	<a href="http://www.ti.com/video">www.ti.com/video</a>
		Wireless	<a href="http://www.ti.com/wireless-apps">www.ti.com/wireless-apps</a>

Mailing Address: Texas Instruments, Post Office Box 655303, Dallas, Texas 75265  
Copyright © 2010, Texas Instruments Incorporated