

T.240 | Plugs

Duroplast

BSP

RoHS

PF

**+212 °F
-4 °F**

MATERIAL

Phenolic based (PF) Duroplast, black colour, glossy finish.

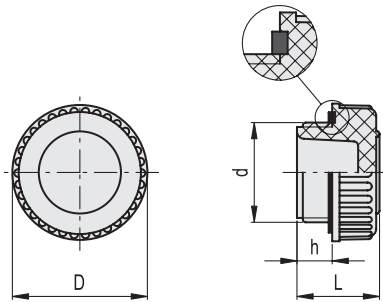
PACKING RING

NBR synthetic rubber.

MAXIMUM CONTINUOUS WORKING TEMPERATURE

100°C.

- 1
- 2
- 3
- 4
- 5
- 6
- 7
- 8
- 9
- 10
- 11
- 12
- 13**
- 14
- 15
- RH**
-



BSP

METRIC

Code	Description	d	h	D	L	△
57101	T.240-1/4	G 1/4	8	22	18	6
57201	T.240-3/8	G 3/8	9	26	21	10
57301	T.240-1/2	G 1/2	10	32	24	16
57401	T.240-3/4	G 3/4	10	39	25	23
57601	T.240-1	G 1	12	45	28	35
57801	T.240-1¼	G1 1/4	12	55	31	60
57901	T.240-1½	G1 1/2	12	61	34	80

Accessories for hydraulic systems