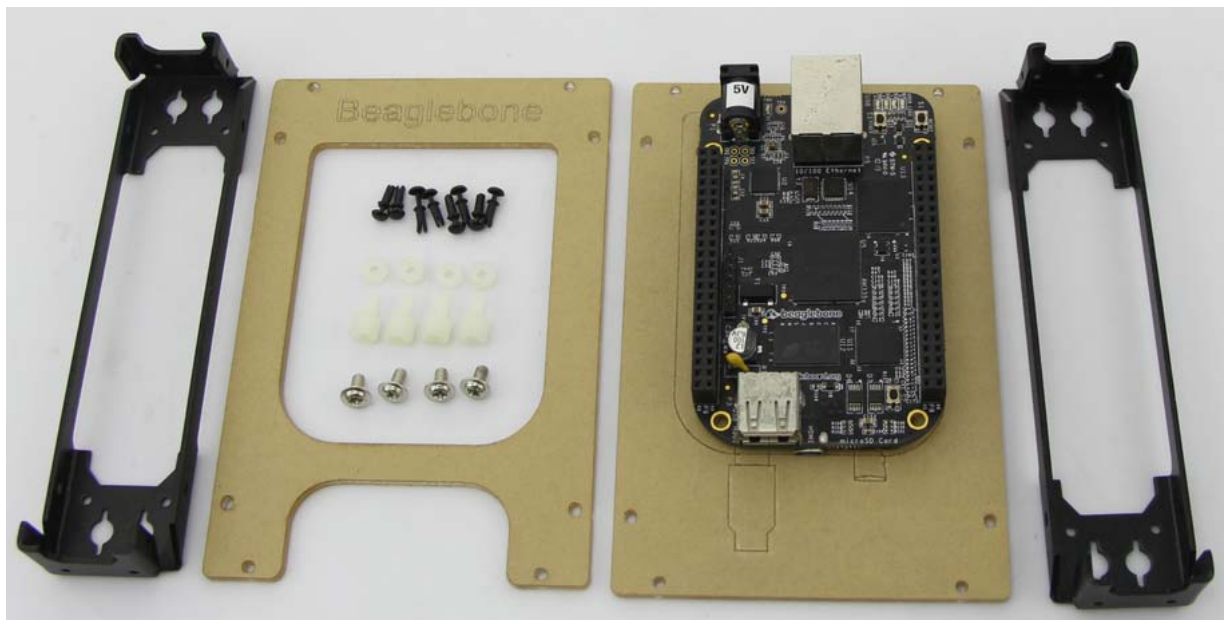


# Skeleton box for Beaglebone



This enclosure is constructed from military grade aluminum and hardwearing acrylic, Providing the ultimate protection from physical and corrosion! The skeleton box allows clearance for any standard Arduino, and the enclosures are stackable in all three dimensions, allowing for limitless expansion possibilities. The skeleton is easy to use, and provides the best protection for your Arduino that money can buy! And this is a simply case, specially designed for Beaglebone.

## Feature

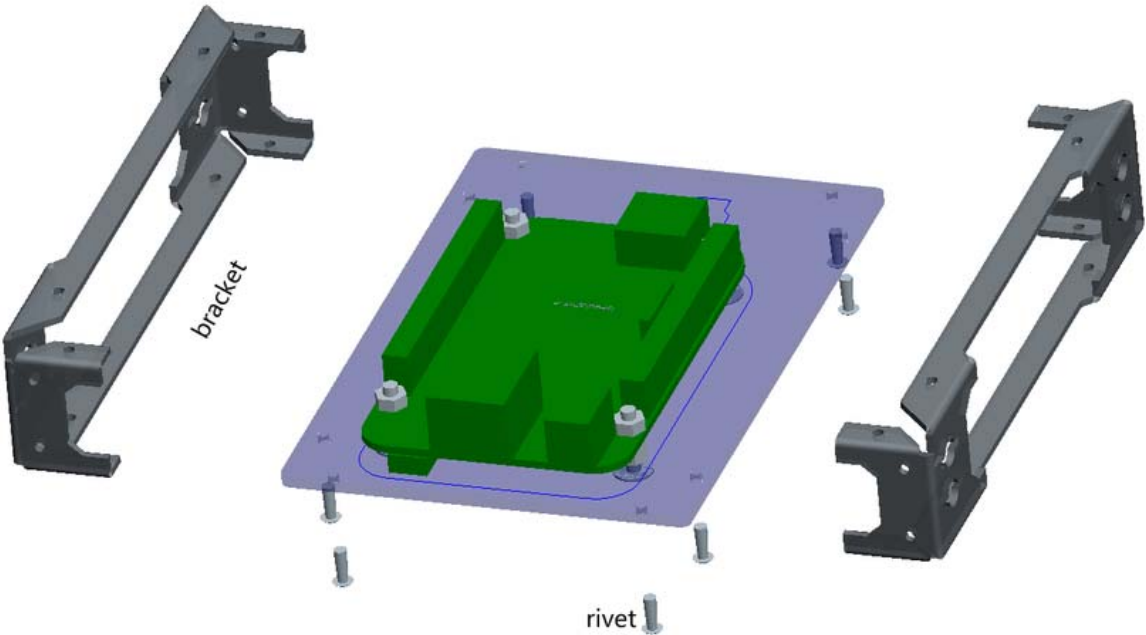
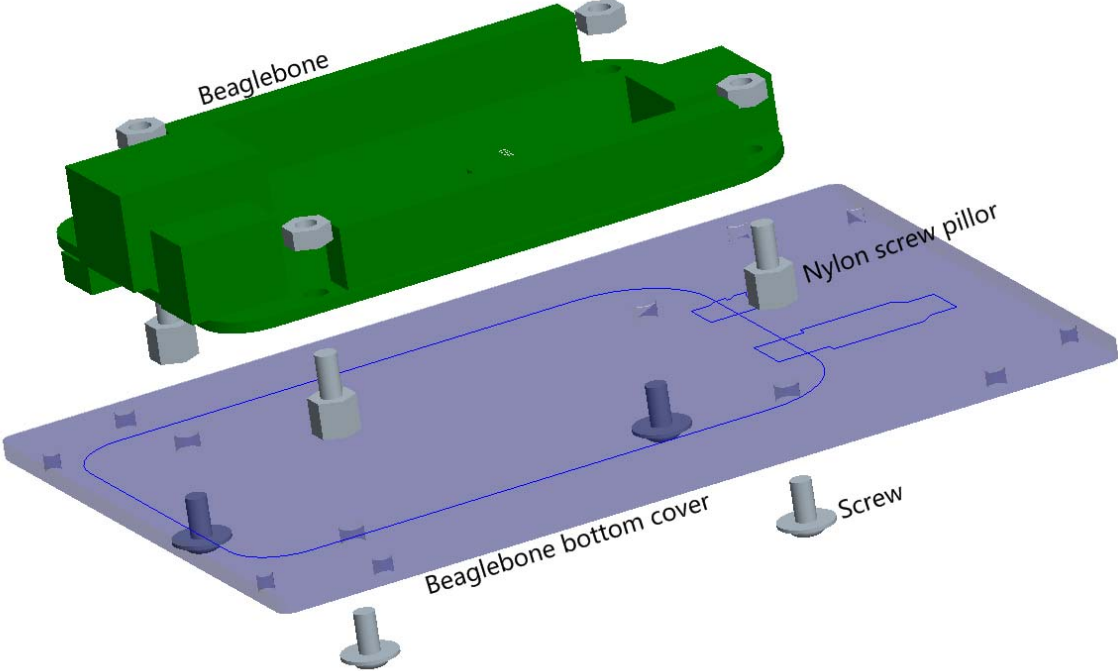
---

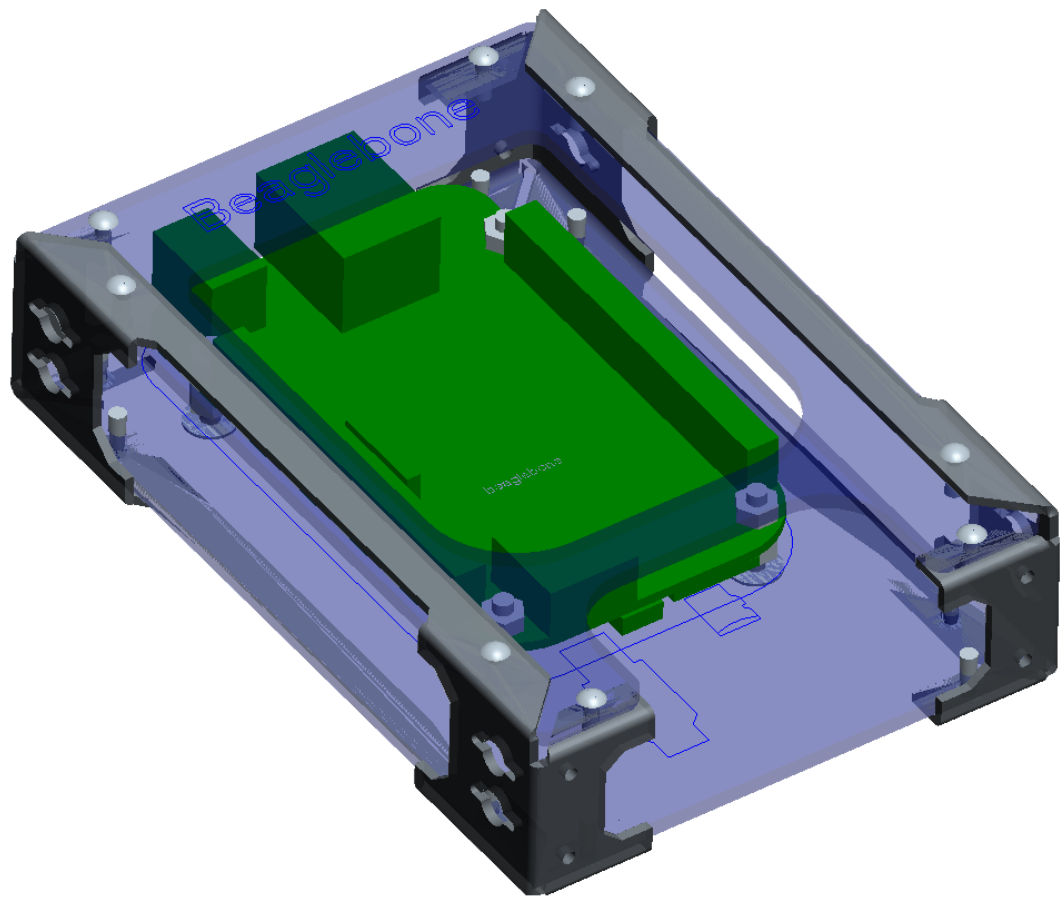
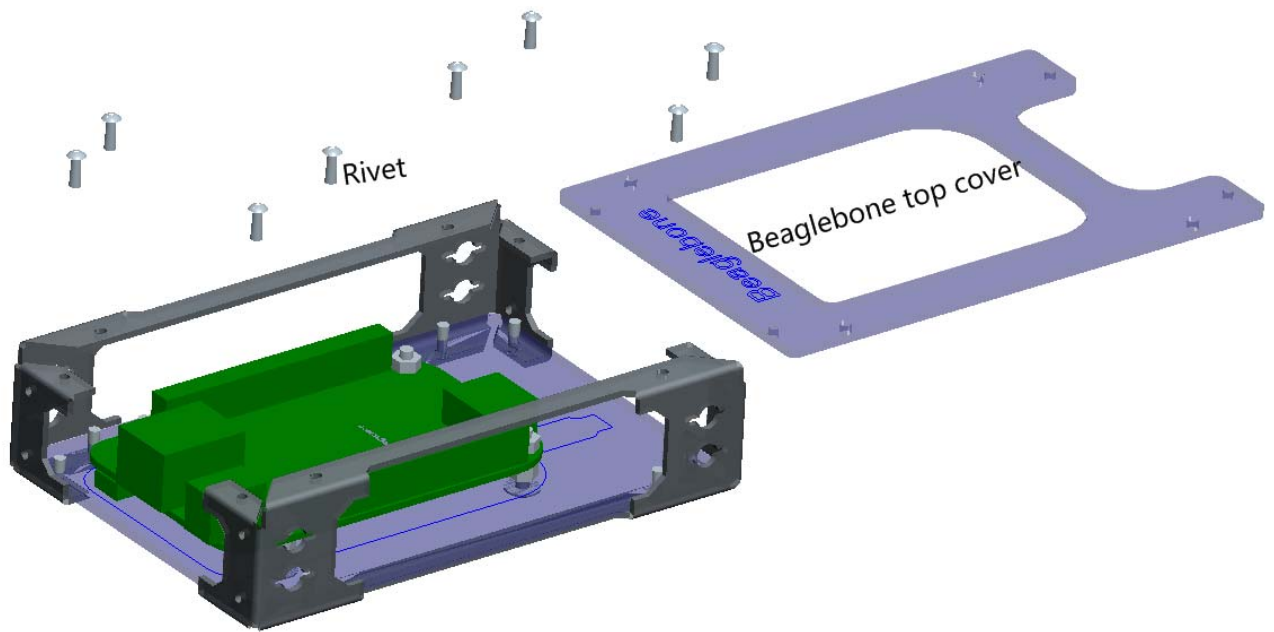
- Neat and universal
- Easy to assemble
- Solid and stable material

# Usage

---

Assembly diagram is as follows:





Part	Package	Qty
Bracket	1.5mm aluminum plate stamping molding, black sand anodized	2
Beagle Bottom Cover	2.5mm Thickness	1
Beagle Top Cover	2.5mm Thickness	1
Rivet (black)	R2056	20
Screw	M3X5	4
Nylon screw pillor	M3X5X6	4
Nylon Nut	M3X2.5	4

## Tech Support

Please submit any technical issue into our forum or drop mail to [techsupport@seeed.cc](mailto:techsupport@seeed.cc).