

M12X1.5 Screw-in Vent

Product Technical Datasheet



Product Description

JONES Screw-in Vent is design for venting air and preventing water intake. Through it excellent permeability, Screw-in Vents balance the air pressure difference between inside of housing and environmental condition and low the pressure on seal gaskets, therefore it prolongs seal gaskets service life and improve the reliability of the device.

The micro-pore membrane structure of ePTFE build-in Screw-in Vent provides an effective barrier from dust and dirt and still allows the product to breathe with changing environmental conditions. This prevents pressure from building up and damaging enclosure seals, exposing sensitive components to water and debris.

Equipment used in the telecommunications industry is subjected to rapid temperature fluctuations, a variety of particulates, and exposure to wind, precipitation and solar radiation. JONES Screw-in Vent Vents effectively protect them against the negative effects of pressure differentials caused by temperature changes and provide an effective barrier against dust, water, salts and other corrosive liquids. Especially Its threaded design ensures secure mechanical fastening, its durable designs keep it able to used in extremely harsh environments in the field. Its unique property makes it find the wide application in shipboard telecommunication and alarm system.

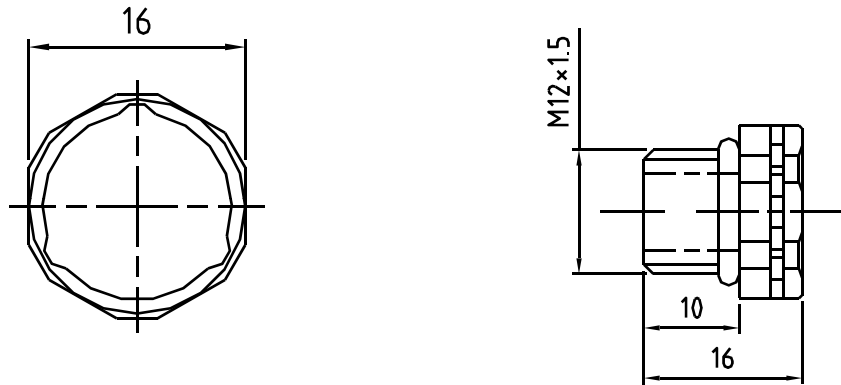
Features and Benefits

- ePTFE membrane build-in plastic case without PSA
- High reliability
- Easy to install

Typical Applications

- Automotive electronics
- Telecommunication hardware
- Radios
- GPS navigation and other portable devices

Dimension (Unit:mm)



Specification

Construction Material	Base : PA-6	
	Membrane: ePTFE	
	O Ring Seal : Silicone Rubber	
Color	Gray or White	
Property of Membrane	Type A	Hydrophobic
		Water Entry Pressure : >0.6 bar/30 sec
	Type B	Oleophobic Rating of Oil Repellency8 (AATCC 118-1989ASTM)
		Water Entry Pressure : >0.3 bar/30 sec
IP Rating (per IEC 529)	IP67 – Under 1 meter water, no leakage /30 minutes	
	IP69K – steam jet resistance	
Temperature resistance (DIN IEC 68-2-14 Na)	-40°C ~125°C	
	Cycling Test: Cycles=400 TDWET=20 min Tchange<10s	
UV Resistance	Industrial Climate Test (DIN 50-0-18) Standard SFW 2.0S	
	9 Cycles , No mechanical change found	
Salt Mist Test (DIN 50-0-21)	No salt particles entering housing through the vents	
85/85 Storage Test (DIN IEC 60068-2-3)	85°C, 85%r.H. Test Time 1000 hours , No mechanical change found	
UL94	V0	
Airflow (dp = 70 mbar/1.0 psi)	Type A 600~1200 ml/min	
	Type B ≥ 1500 ml/min	
Continuous Service Temperature	150°C (300°F)	
Short-term Temperature	233°C (450°F)	
Minimum Temperature	-40°C (-40°F)	

P/N	Property	
22-101-002-0000	Color	Gray
	Airflow Type A	600~1200 ml/min
22-102-002-0000	Color	Gray
	Airflow Type B	≥ 1500 ml/min
22-101-002-0001	Color	White
	Airflow Type A	600~1200 ml/min
22-102-002-0001	Color	White
	Airflow Type B	≥ 1500 ml/min



Contact Information

JONES TECH PLC

ADD: 3 DongHuanZhong Road, Beijing Economical & Technological Development Area
Beijing 100176 China

TEL: +86 10 67862636

FAX: +86 10 67860291

E-mail: sales@jones-corp.com

www.jones-corp.com