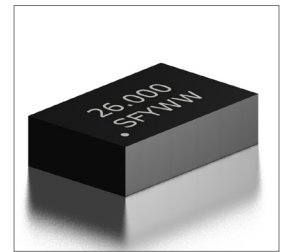
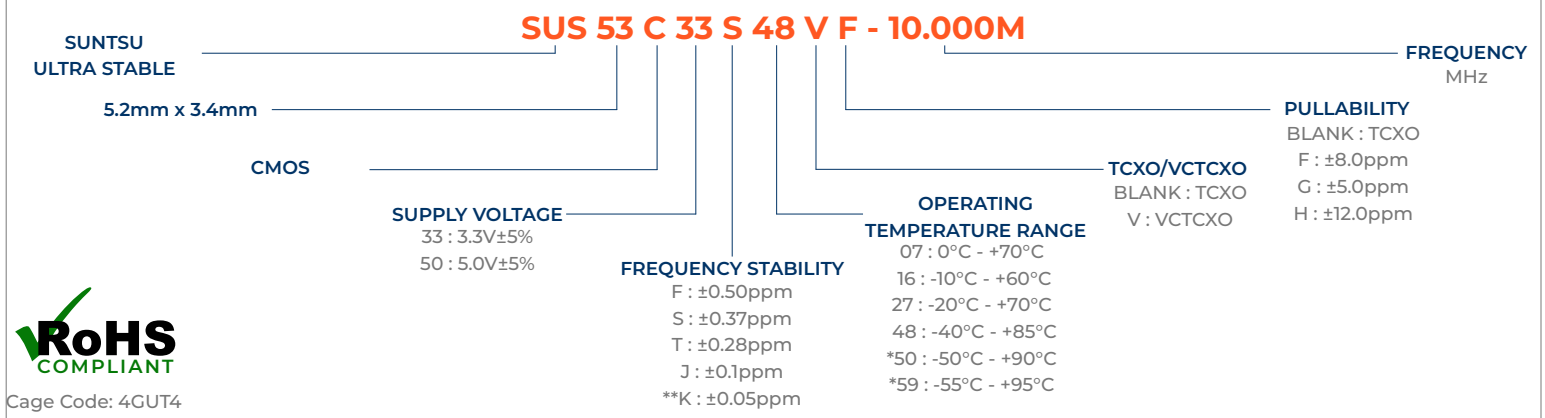


Features
• Stability ± 0.05 ppm Available
• CMOS
• (VC)TCXO
• Two Package Types
• Extended Temperature Range

Applications
• Base Stations
• Stratum 3
• Small Cell



Part Numbering Guide

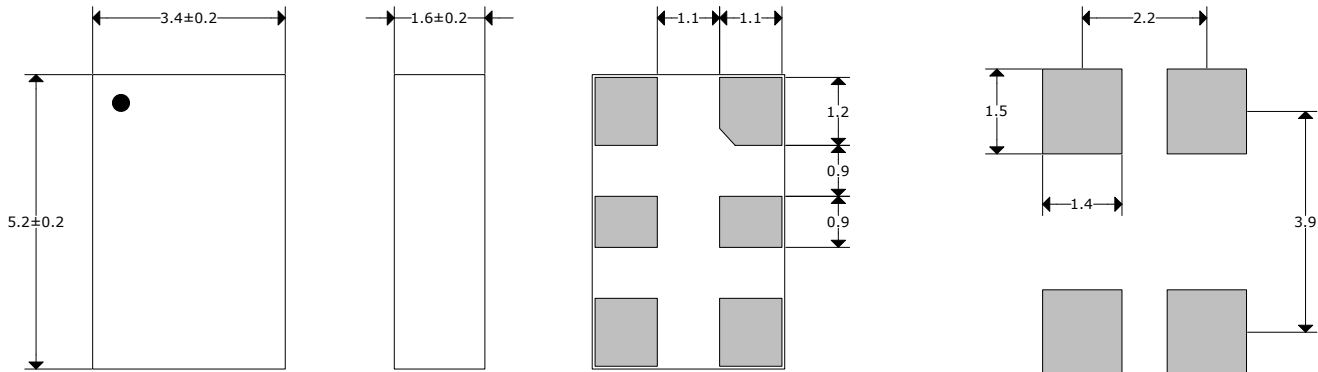


To customize your parameters contact a Suntsu representative.
 * For operating temperature options 50 & 59 contact a Suntsu representative.
 ** For frequency stability option K contact a Suntsu representative; only available with Operating Temperature of -40°C - +85°C

Electrical Parameters	Units	Minimum	Typical	Maximum	Remarks
Frequency Range	MHz	10		52	
Frequency Tolerance	ppm	± 0.3	± 0.5	± 1.0	at 25°C
Freq Stability vs Op Temp (ref at 25°C)	ppm	± 0.05		± 0.5	See part numbering guide for options.
Supply Sensitivity	ppm			± 0.1	V _{DD} $\pm 5\%$
Load Sensitivity	ppm			± 0.2	Load $\pm 5\%$
Aging/First Year	ppm			± 1.0	Standard
Operating Temperature	°C	-55		95	See part numbering guide for options.
Storage Temperature	°C	-55		125	
Supply Voltage (V _{DD}) - 3.3V Option	V	3.135	3.3	3.465	
Supply Voltage (V _{DD}) - 5.0V Option	V	4.750	5.0	5.250	
Current (I _{DD})	mA			10	
Voltage (VC, VCTCXO) - 3.3V Option	V	0.5		2.5	
Voltage (VC, VCTCXO) - 5.0V Option	V	0.5		2.5	
Pullability (VCTCXO)	ppm	± 5.0		± 12.0	See part numbering guide for options.
Linearity (VCTCXO)	%			10	
Output Load (CMOS)	pF			15	
Output Logic HIGH Level (V _{OH})	V	2.4			
Output Logic LOW Level (V _{OL})	V			0.4	
Rise (T _R) And Fall (T _F) Time	ns			6	
Symmetry (Duty Cycle)	%	45	50	55	
Tuning Slope			Positive		
Start-Up Time	ms			10	
VC Input Impedance (VCTCXO)	k Ω	200			
Phase Noise (Typical) 10Hz Offset	dBc/Hz			-92	
Phase Noise (Typical) 100Hz Offset	dBc/Hz			-120	
Phase Noise (Typical) 1KHz Offset	dBc/Hz			-140	
Phase Noise (Typical) 10KHz Offset	dBc/Hz			-145	
Phase Noise (Typical) 100kHz Offset	dBc/Hz			-150	

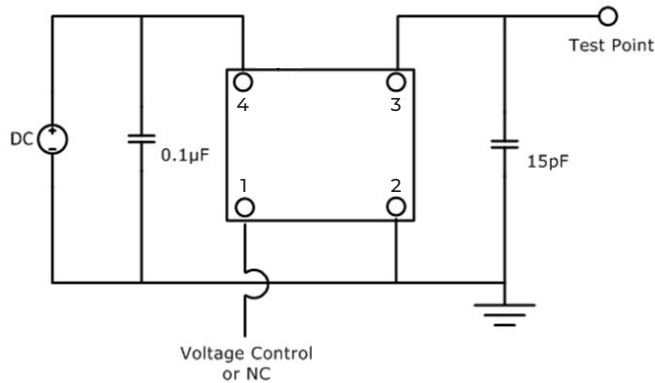
Outline Drawing & Land Pattern

All dimensions are in millimeters (mm) unless otherwise noted. Drawings are not to scale.

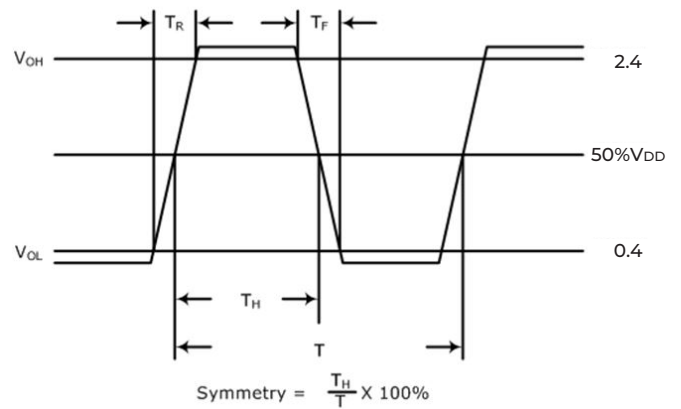


PIN	FUNCTION
1	V _{CON} /NC
2	GND
3	OUTPUT
4	V _{DD}

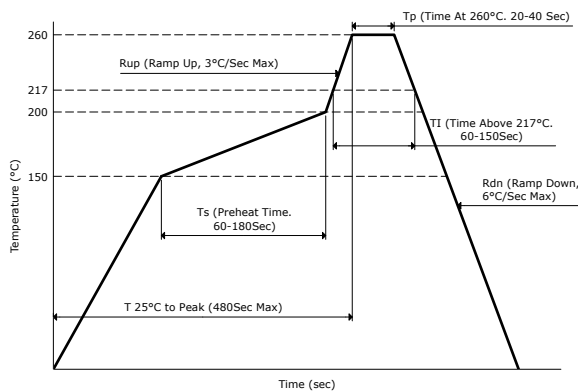
Test Circuit (CMOS)



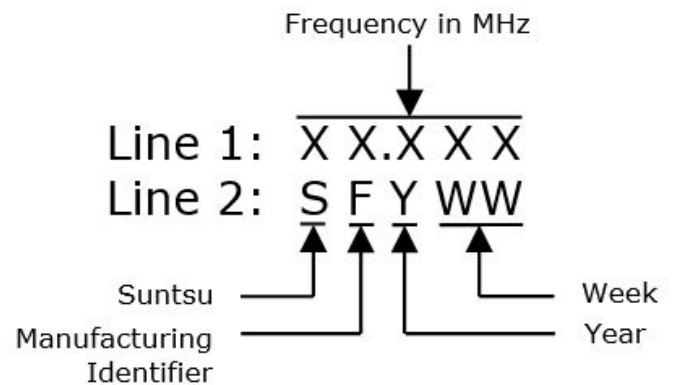
Waveform (CMOS)



Reflow Profile



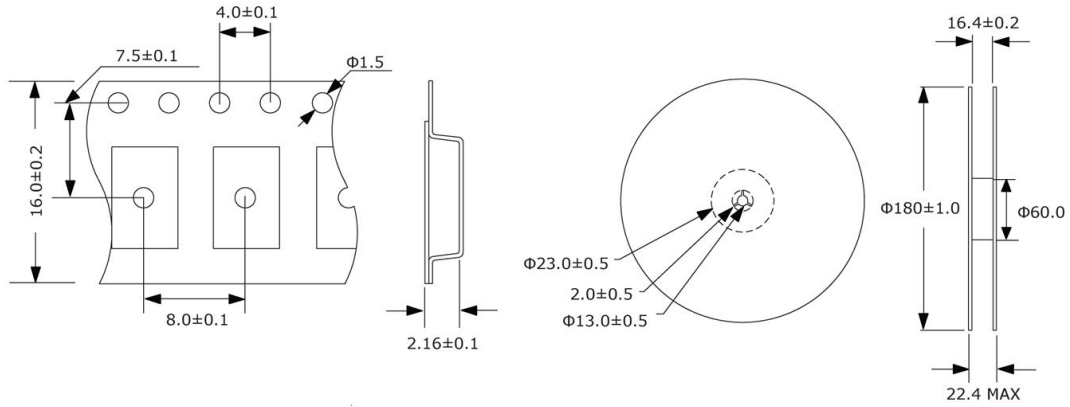
Part Marking



Tape And Reel Dimensions

All dimensions are in millimeters (mm) unless otherwise noted. Drawings are not to scale.

1,000pcs/Reel



Reliability

Temperature Stress Test	IEC60068, GJB360B
Mechanical Stress Test	IEC60068, GJB360B
EMC Test (ESD)	IEC61000, JESD22
Solderability	EIA/JESD22-B102-C
Contact Pads	Gold over Nickel
RoHS	RoHS Directive 2011/65/EU Annex II Recasting 2002/95/EC