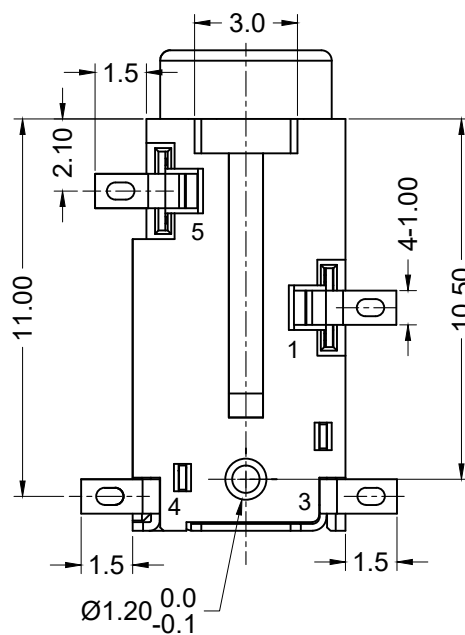
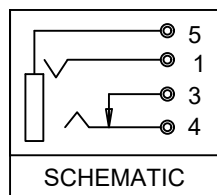


RECOMMENDED PADS LAYOUT

<TOP VIEW>



Material and Finish

Housing: High Temp Plastic
 Terminals: Copper Alloy,
 Gold Plated

Electrical Characteristics

Contact Resistance:
 Before Test: 50 milliohms max.
 After Durability Test:
 100 milliohms max.

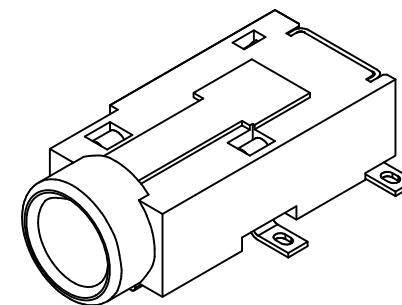
Rated Voltage: 16V DC

Rated Current: 0.3A

Insulation Resistance:
 100 Megohms min.
 at 500V DC

Dielectric Strength:
 500V AC RMS for 1 minute

Operating Temp:
 -25°C to +70°C



Tolerances
X.X ± 0.25
X.XX ± 0.15
Unless Stated Otherwise

RoHS COMPLIANT



REV.	DATE	DESCRIPTION	REV. BY	CHK. BY	DRAWN BY	DATE
A0	01/11/08	New Drawing	WILL H.	H. MA	WILL H.	12/12/07
A1	01/28/08	Release Drawing	H. MA	N/A		
A2	09/14/09	ECO #09-070	S. Vien	H. MA		
A3	04/29/14	ECO #14-017	W. Cook	H. MA		
A4	08/14/18	Update Address	D. Shehan	N/A		

STX-35382-4N-TR

Ø 3.5mm Earphone Jack, Plastic Bushing

4 Position, RoHS Compliant

