

**Materials and Finish**

Housing: PBT Thermoplastic  
 15% Glass Filled, UL 94V-0  
 Rated, Black Color

Contact Material:  
 Pin #1: Copper Alloy, Nickel Plated  
 Pin #2 and Pin #5:  
 Phosphor Bronze, Matte  
 Tin Plated  
 Pin #3 and Pin #4:  
 Copper Alloy, Matte  
 Tin Plated

**Electrical Characteristics**

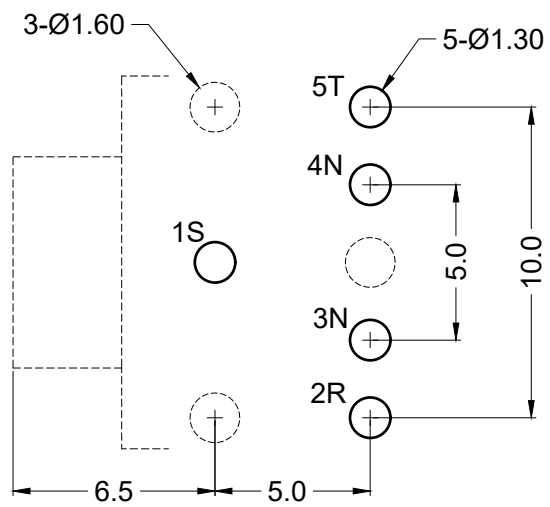
Insulation Resistance:  
 100 Megohms at 500V DC

Contact Resistance:  
 50 milliohms Max.

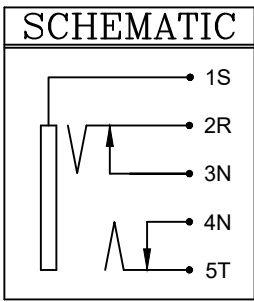
Dielectric Withstanding Voltage:  
 500V AC RMS for 1 Minute

**Mechanical Characteristics**

Insertion Force: 0.4kg - 3.0kg  
 Withdrawal Force: 0.3kg - 3.0kg  
 Durability: 5000 Mating Cycles Min.  
 Operating Temperature:  
 -25°C to +100°C



Recommended PCB Layout  
 (Bottom View)



Tolerances
X.X ± 0.35
X.XX ± 0.25
Unless Stated Otherwise



REV.	DATE	DESCRIPTION	REV. BY	CHK. BY	DRAWN BY	DATE
A0	9/28/05	New Drawing	R. Aguirre	H.MA	R. Aguirre	07/14/05
A1	6/7/06	Release Drawing	H. MA	N/A		
B1	10/18/10	ECO #10-068	P. DalCanto	H.MA		
B2	5/2/11	ECO #11-027	P. DalCanto	H. MA		
B3	1/19/12	ECO #12-001	P. DalCanto	H. MA		
B4	08/14/18	Update Address	D.Shehan	N/A		

**STX-3200-5N**

High Profile Stereo Jack, RoHS Compliant

Metal Bushing, Nonthreaded, 5 pos.

