

# ST2 SERIES TOGGLE SWITCH

ANTI-VANDAL SWITCHES  
DETECTOR SWITCHES  
DIP SWITCHES  
KEYLOCK SWITCHES  
NAVIGATION SWITCHES  
PUSHBUTTON SWITCHES  
ROCKER SWITCHES  
ROTARY SWITCHES  
SLIDE SWITCHES  
SNAP ACTION SWITCHES  
TACTILE SWITCHES  
TOGGLE SWITCHES  
CAP OPTIONS



## APPLICATIONS / MARKETS



Floor Care Appliances



Commercial Appliances



Industrial Controls



Medical / Dental



HVAC



Vending Machines

# RoHS

## SPECIFICATIONS

**Rating:** Maintained Switches: 20A 125VAC [cULus]  
15A 277VAC [cULus]  
2.0HP 125-277VAC [cULus]  
Momentary Switches: 20A 125VAC [cULus]  
15A 277VAC [cULus]  
1.5HP 125-277VAC [cULus]

**Electrical Life:** 6,000 cycles  
**Contact Resistance:** 50mΩ Max.  
**Insulation Resistance:** 2MΩ Min. at 500VDC for 1 Minute  
**Dielectric Strength:** 1,000VAC for 1 Minute  
**Operating Temperature:** 0°C to 85°C  
**Mounting Nut Torque:** 0.6Nm~1.0Nm

## FEATURES & BENEFITS

- Heavy duty rating with UL approvals
- Many functions available
- Tab, screw, and solder terminal options
- Soldered wire leads (500mm long) optional

## PART NUMBER CONFIGURATOR

### Series



ST2 - 2 Pole

### Terminal



1 - 4.8mm Tabs  
2 - Solder  
4 - 6.3mm Tabs  
6 - Screw  
W - Wire Leads  
500mm long

### Function



2 - 2 Pole Off - On  
G - 2 Pole On - On  
E - 2 Pole Off - (On)  
6 - 2 Pole  
On - Off - On  
J - 2 Pole  
On - Off - (On)  
K - 2 Pole  
(On) - Off - (On)

### Rating



D - 20A 125VAC

### Actuator Type



0 - Standard Bat

### Bushing Type



0 - M12 x 1.0  
2 - 15/32" - 32UNS

### NOTES:

( ) = Denotes function is momentary

Specifications subject to change without notice 2.16.2022



E-SWITCH®

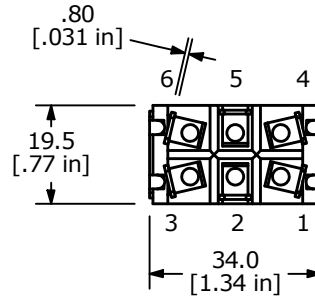
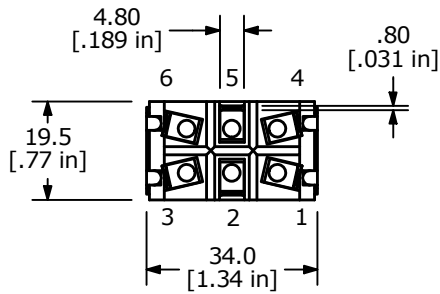
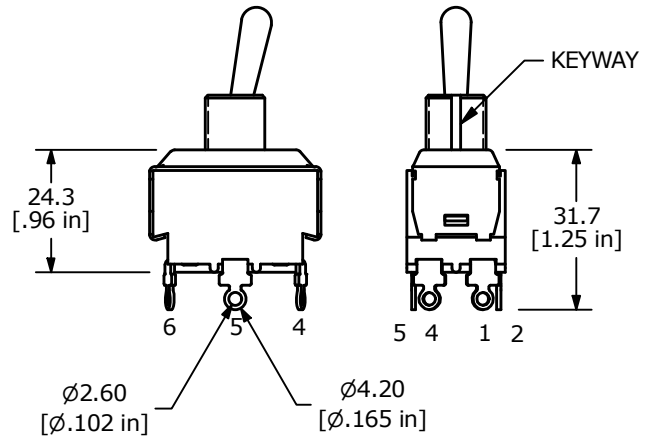
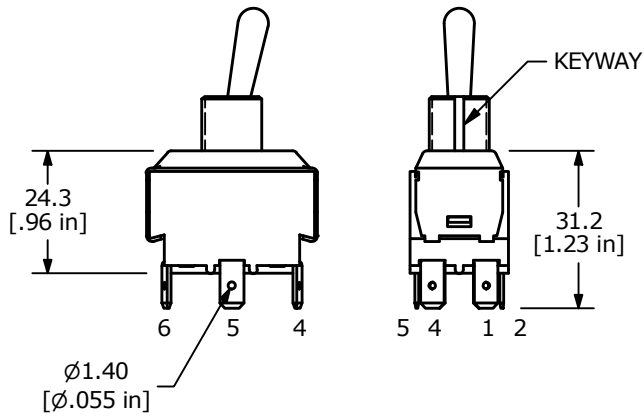
www.e-switch.com

800.867.2717

1

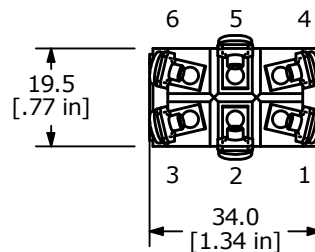
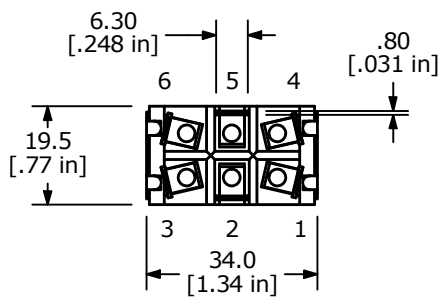
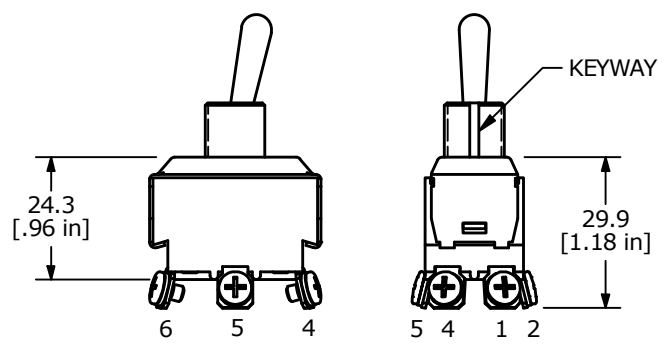
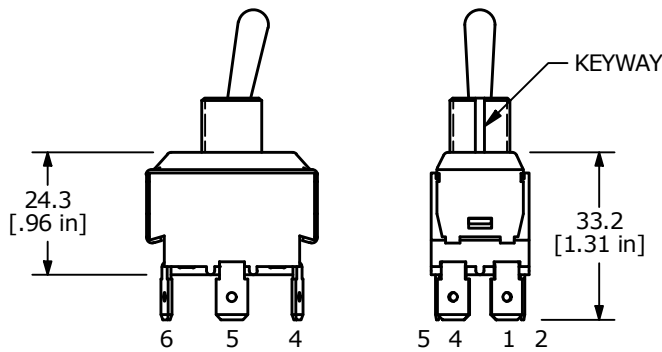
# ST2 SERIES TOGGLE SWITCH

## TERMINAL OPTIONS



1 = 4.8mm TABS

2 = SOLDER



4 = 6.3mm TABS

6 = SCREW



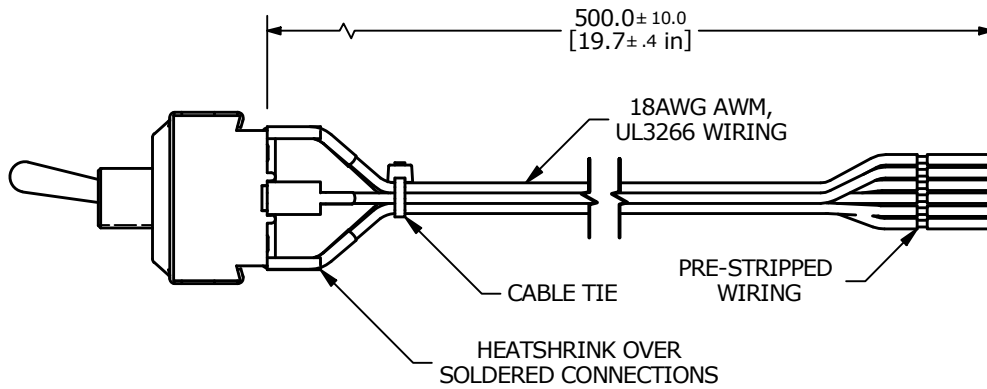
ANTI-VANDAL SWITCHES  
DETECTOR SWITCHES  
DIP SWITCHES  
KEYLOCK SWITCHES  
NAVIGATION SWITCHES  
PUSHBUTTON SWITCHES  
ROCKER SWITCHES  
ROTARY SWITCHES  
SLIDE SWITCHES  
SNAP ACTION SWITCHES  
TACTILE SWITCHES  
TOGGLE SWITCHES  
CAP OPTIONS

# ST2 SERIES TOGGLE SWITCH

## TERMINAL OPTIONS (CONTINUED)

| SWITCH | WIRE                           | LENGTH          |
|--------|--------------------------------|-----------------|
| SW1-1  | WIRE, 18AWG AWM UL3266, GREEN  | 500.0 [19.7 in] |
| SW1-2  | WIRE, 18AWG AWM UL3266, PINK   | 500.0 [19.7 in] |
| SW1-3  | WIRE, 18AWG AWM UL3266, YELLOW | 500.0 [19.7 in] |
| SW1-4  | WIRE, 18AWG AWM UL3266, BLUE   | 500.0 [19.7 in] |
| SW1-5  | WIRE, 18AWG AWM UL3266, WHITE  | 500.0 [19.7 in] |
| SW1-6  | WIRE, 18AWG AWM UL3266, ORANGE | 500.0 [19.7 in] |

\*\* WIRE LEADS PROVIDED ARE DEPENDANT ON THE FUNCTION SELECTED \*\*



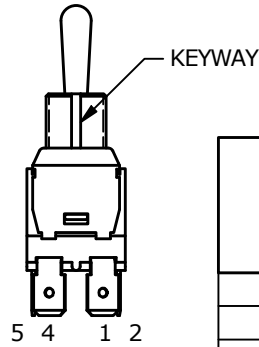
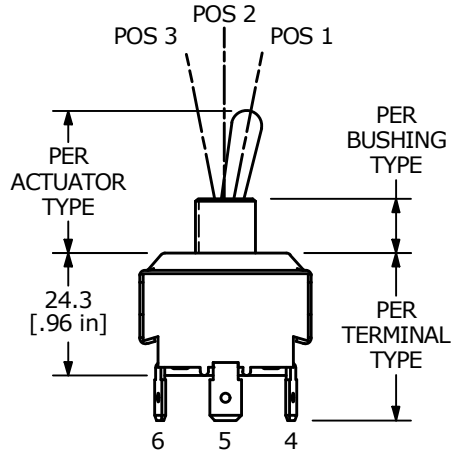
W = WIRED LEADS 500mm



ANTI-VANDAL SWITCHES  
DETECTOR SWITCHES  
DIP SWITCHES  
KEYLOCK SWITCHES  
NAVIGATION SWITCHES  
PUSHBUTTON SWITCHES  
ROCKER SWITCHES  
ROTARY SWITCHES  
SLIDE SWITCHES  
SNAP ACTION SWITCHES  
TACTILE SWITCHES  
TOGGLE SWITCHES  
CAP OPTIONS

# ST2 SERIES TOGGLE SWITCH

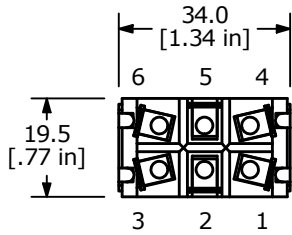
## FUNCTION OPTIONS



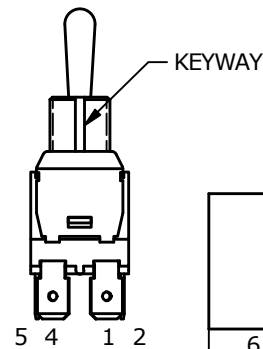
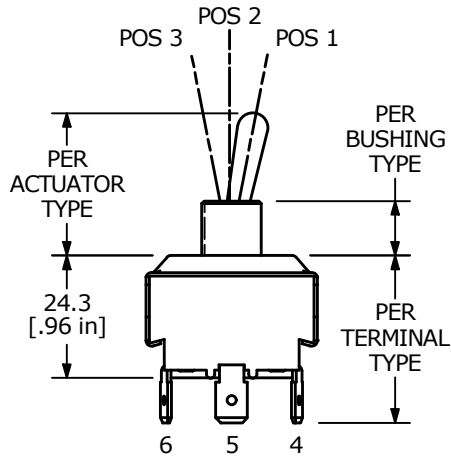
### FUNCTIONS: 2, G, & E

| FUNCTION          | POS. 1                                 | POS. 2 | POS. 3   |
|-------------------|----------------------------------------|--------|----------|
| 2 - OFF - ON      | OFF                                    | N/A    | ON       |
| G - ON - ON       | ON                                     | N/A    | ON       |
| E - OFF - (ON)    | (ON)                                   | N/A    | N/A      |
| TERMINAL CLOSURES | 2 & E =<br>1-2, 4-5<br>G =<br>2-3, 5-6 | N/A    | 1-2, 4-5 |

( ) = DENOTES MOMENTARY



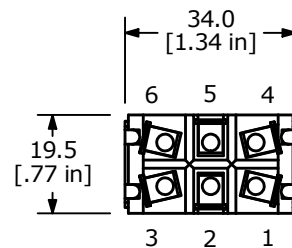
TERMINALS 3 AND 6  
ONLY WITH FUNCTION G



### FUNCTIONS: 6, J, & K

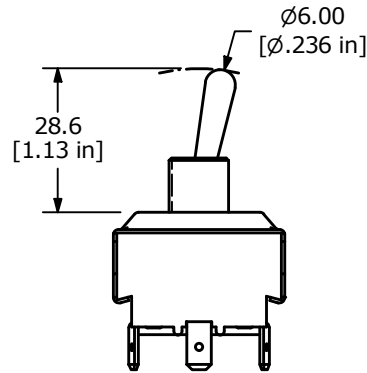
| FUNCTION              | POS. 1   | POS. 2 | POS. 3   |
|-----------------------|----------|--------|----------|
| 6 - ON - OFF - ON     | ON       | OFF    | ON       |
| J - ON - OFF - (ON)   | ON       | OFF    | (ON)     |
| K - (ON) - OFF - (ON) | (ON)     | OFF    | (ON)     |
| TERMINAL CLOSURES     | 2-3, 5-6 | OPEN   | 1-2, 4-5 |

( ) = DENOTES MOMENTARY



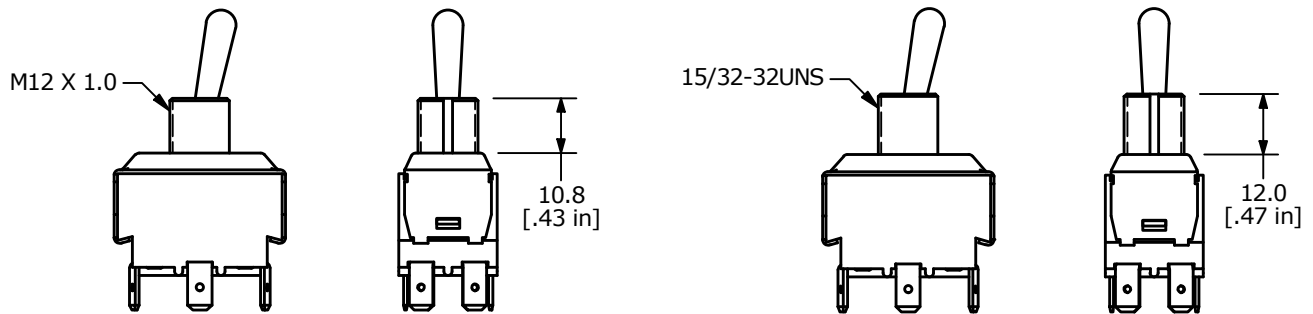
# ST2 SERIES TOGGLE SWITCH

## ACTUATOR OPTIONS



0 = STANDARD BAT

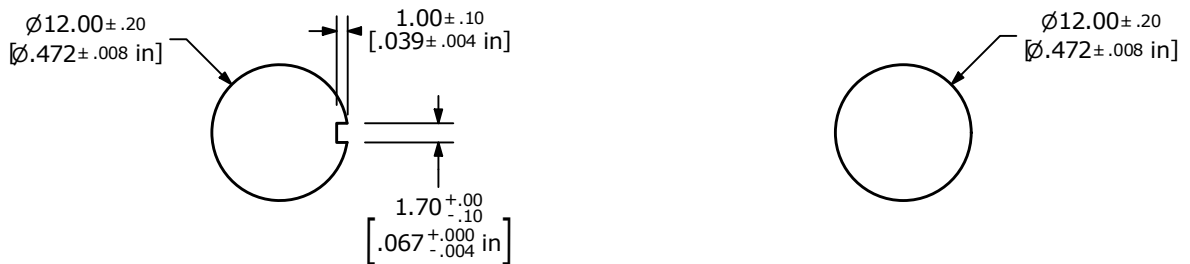
## BUSHING OPTIONS



0 = M12 X 1.0

2 = 15/32"-32UNS

## PANEL CUTOUT OPTIONS



RECOMMENDED PANEL CUTOUT

ALTERNATE PANEL CUTOUT



E-SWITCH®

www.e-switch.com

800.867.2717

5