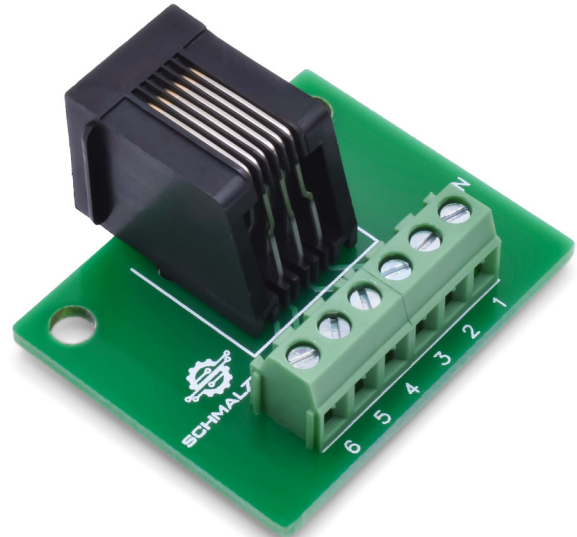
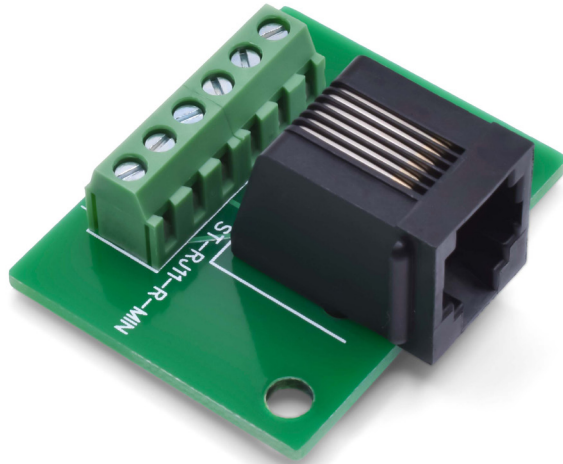




ST-RJ11-R-MIN

RJ11 Mini Screw Terminal Breakout Board



- Breaks out all 6 contacts
- Screw terminals for fast connections
- Compact form factor to fit in tight spaces
- Mounting holes for fixturing

Specifications	
Wire Range (stranded)	16-26 AWG
Wire Range (solid)	16-26 AWG
Connector	6P6C
PCB Surface Finish	LF HASL
Temperature Rating	-25°C to +70°C

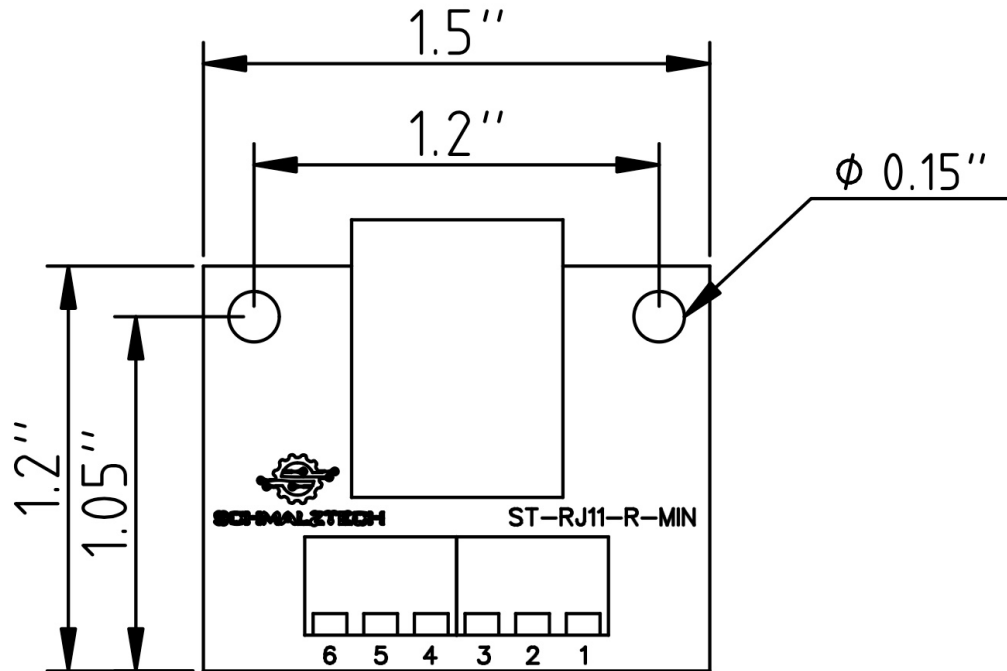
This RJ11 breakout board provides a convenient method of accessing all the contacts of a 6P6C connector. Each of the 6 connections are brought out to a screw terminal for fast and secure termination to wires. This board was designed to be as small as possible while still breaking out all of the contacts of the RJ11 connector. This compact form factor will fit in tight spaces and has mounting holes to allow it to be securely fastened ensuring a solid connection.



ST-RJ11-R-MIN

RJ11 Mini Screw Terminal Breakout Board

Mechanical Drawings



Electrical Connections

Each pin of the RJ11 connector is electrically connected to one screw terminal.



ST-RJ11 - Ordering Information

ST-RJ11- _____ - _____

Form Factor

BB: Breadboard
MIN: Mini
FT: Rubber Feet
DIN: DIN Rail Mount
SPR: Spacers and Screws
E-CHS: Enclosed Chassis Mount
E-DIN: Enclosed DIN Rail Mount

Connector

R: Right Angle
S: Straight

Ordering

To order please visit www.schmalztech.com or one of our distributors to quickly place an online order.

Orders may also be placed by email or phone:

Email: sales@schmalztech.com

Phone: +1 (844) 399-9213

Expedited Shipping

If overnight shipping is required please contact us directly so that we can expedite your order. Overnight shipping is provided through UPS and will incur an additional charge

Custom Designs

Can't find what you need? We can design and produce a custom board to fit your exact needs. Please reach out to us for additional information and pricing.