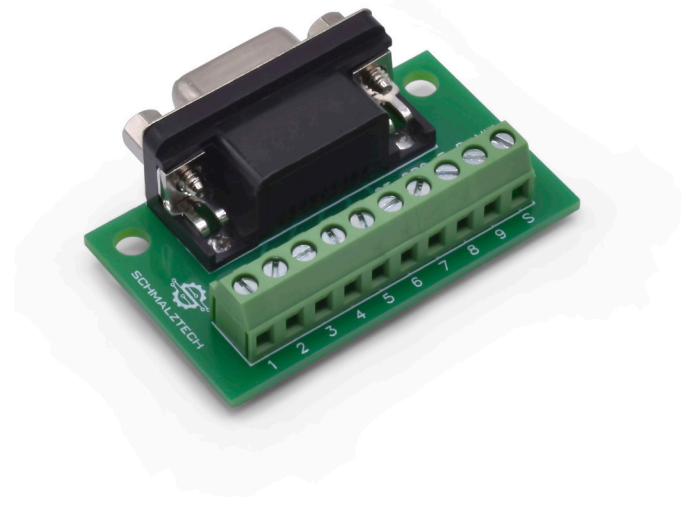
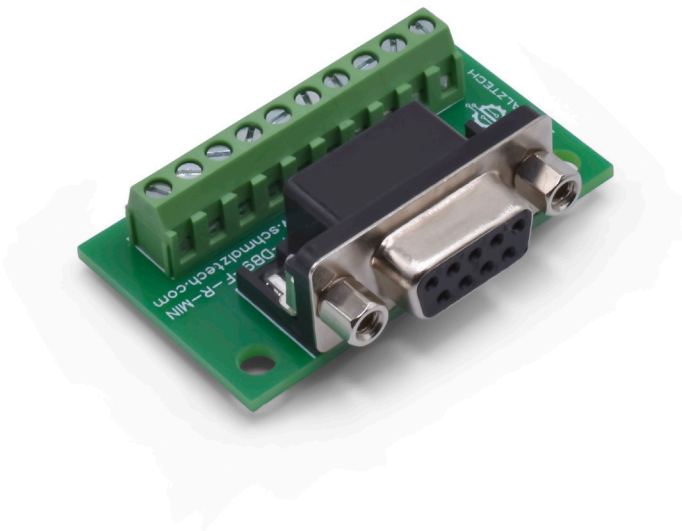




# ST-DB9-F-R-MIN

## Female DB9 Mini Screw Terminal Breakout Board



- Breaks out all 9 contacts + shield
- Screw terminals for fast connections
- Compact form factor to fit in tight spaces
- Threaded studs on DB9 connector are removable
- Mounting holes for easy fixturing

Specifications	
Wire Range (stranded)	16-26 AWG
Wire Range (solid)	16-26 AWG
Connector	DB9 - Female
Surface Finish	Lead-Free HASL
Temperature Rating	-25°C to +70°C

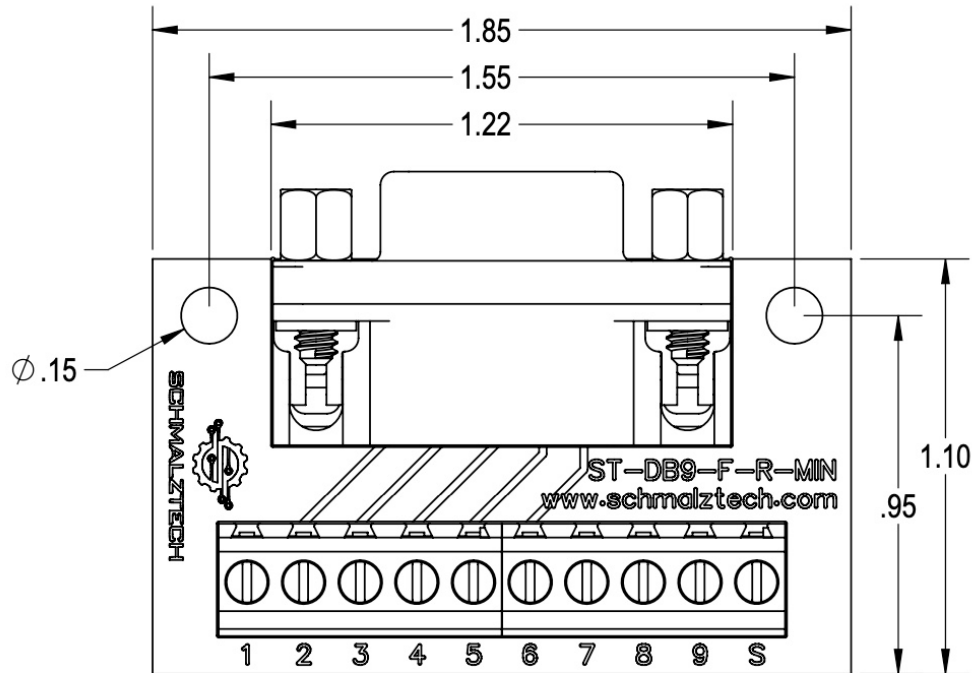
This female DB9 breakout board provides a convenient method of accessing all the contacts of a 9-pin D-Sub connector. Each of the 9 connections as well as the shield are brought out to a screw terminal for fast and secure termination to wires. This board was designed to be as small as possible while still breaking out all of the contacts of the DB9 connectors to screw terminals. This compact form factor will fit in tight spaces and has mounting holes to allow it to be securely fastened ensuring a solid connection in any project. The DB9 connector on this board also features removable threaded studs allowing it work with a wide variety of mating connectors.



# ST-DB9-F-R-MIN

## Female DB9 Mini Screw Terminal Breakout Board

### Mechanical Drawings



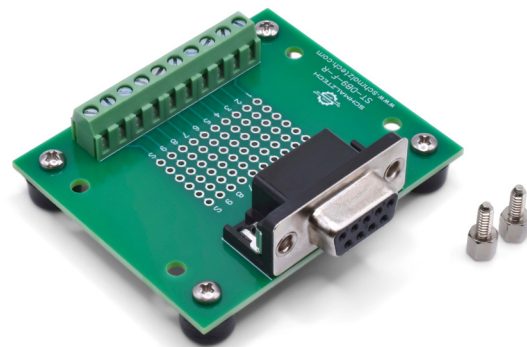
### Electrical Connections

Each pin of the DB9 connector is electrically connected to one screw terminal.

### Removable Threaded Studs

Unlike many DB9 connectors, the specialized connectors used on SchmalzTech DB9 breakout boards allow for the threaded studs to be removed while the shielded cover remains in place.

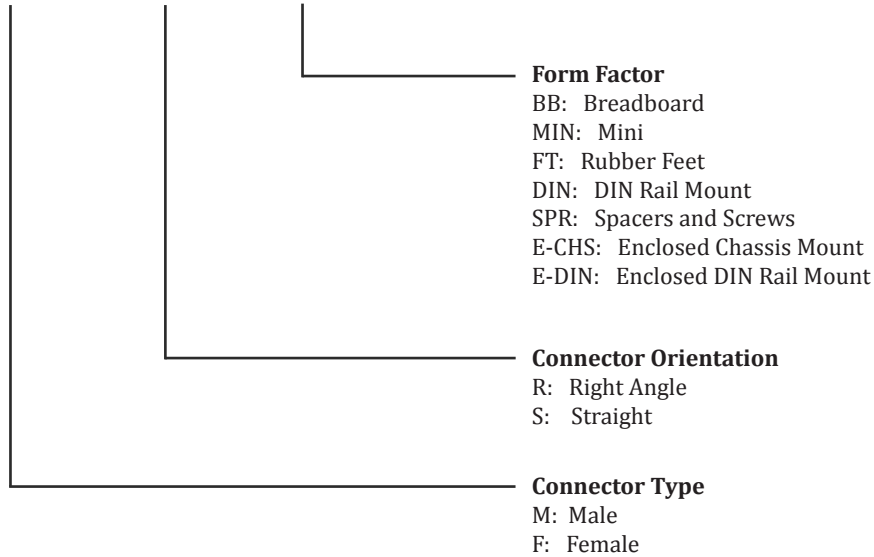
(See photo to right, ST-DB9-F-R-FT pictured)





# ST-DB9 - Ordering Information

ST-DB9- \_\_\_\_\_ - \_\_\_\_\_ - \_\_\_\_\_



## Ordering

To order please visit [www.schmalztech.com](http://www.schmalztech.com) or one of our distributors to quickly place an online order.

Orders may also be placed by email or phone:

Email: [sales@schmalztech.com](mailto:sales@schmalztech.com)

Phone: +1 (844) 399-9213

## Expedited Shipping

If overnight shipping is required please contact us directly so that we can expedite your order. Overnight shipping is provided through UPS and will incur an additional charge

## Custom Designs

Can't find what you need? We can design and produce a custom board to fit your exact needs. Please reach out to us for additional information and pricing.