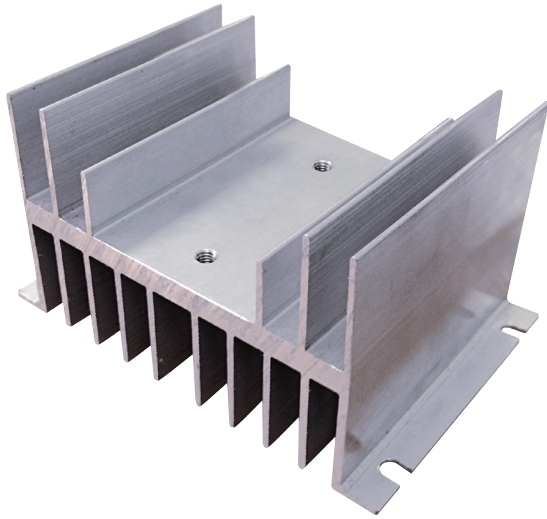


# RHS10067D



## Accessories: Heatsinks



### ▶ Main features

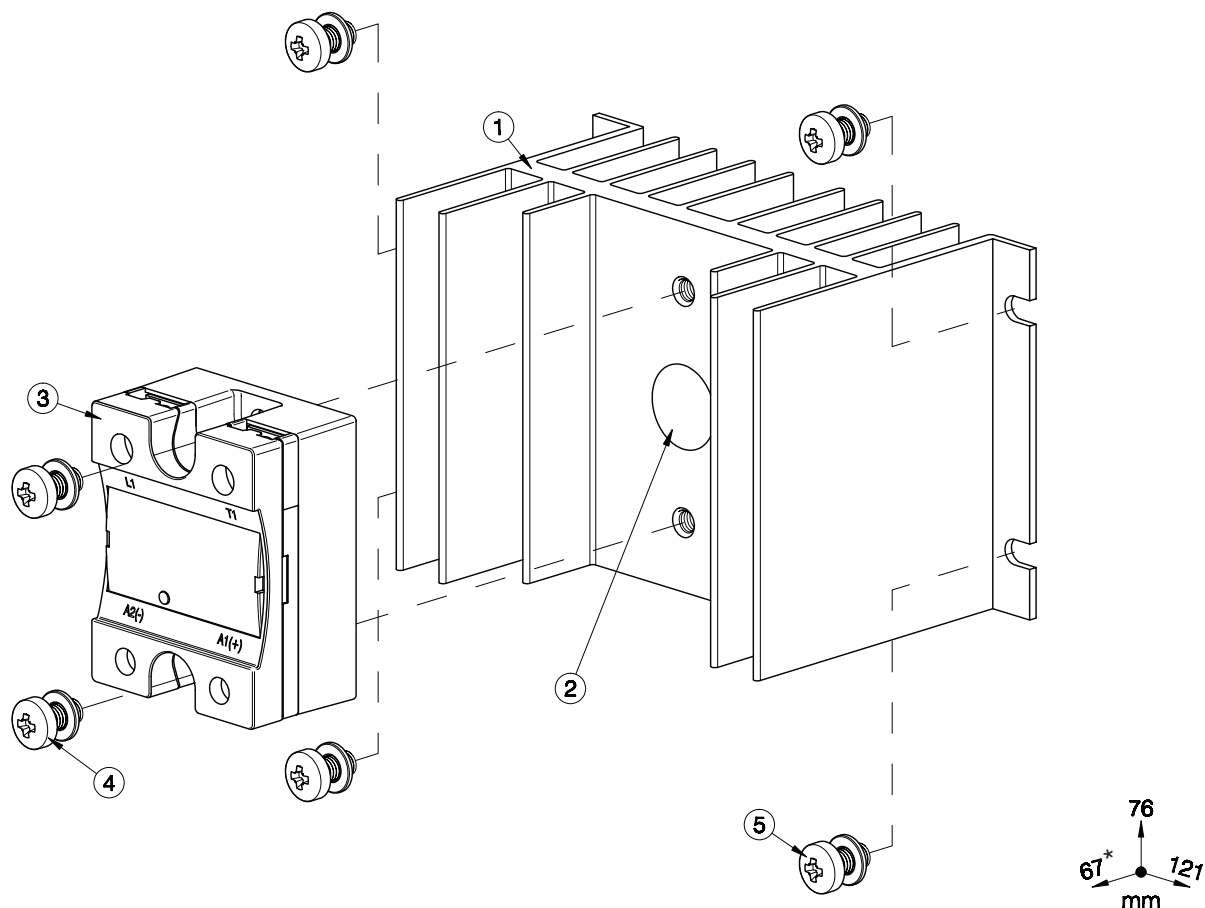
- 1.7°C/W thermal resistance
- Suitable for mounting of 1-phase SSRs
- Panel mounting
- Dimensions W x H x D: 121 x 76 x 67 mm
- RoHS compliant

### ▶ Description

Heatsink assembly suitable for mounting of 1x 1-phase solid state relay (SSR). Suffix H58 added to SSR part no. refers to factory mounted heatsink. Conditions apply. Please ask your sales representative for further details.



## Structure



| Element | Component                       | Qty | RHS10067D    |
|---------|---------------------------------|-----|--------------|
| 1       | RHS10067D heatsink assembly     | 1   | Provided     |
| 2       | Thermal Compound or Pad         | 1   | Not provided |
| 3       | 1-phase SSR 45x59mm             | 1   | Not provided |
| 4       | M5x10mm PZ2 + Washer            | 2   | Provided     |
| 5       | Panel Mounting Screws Ø5mm max. | 4   | Not provided |

Note:

\* 71mm for RK..C, 82mm for RK..P (including plug).

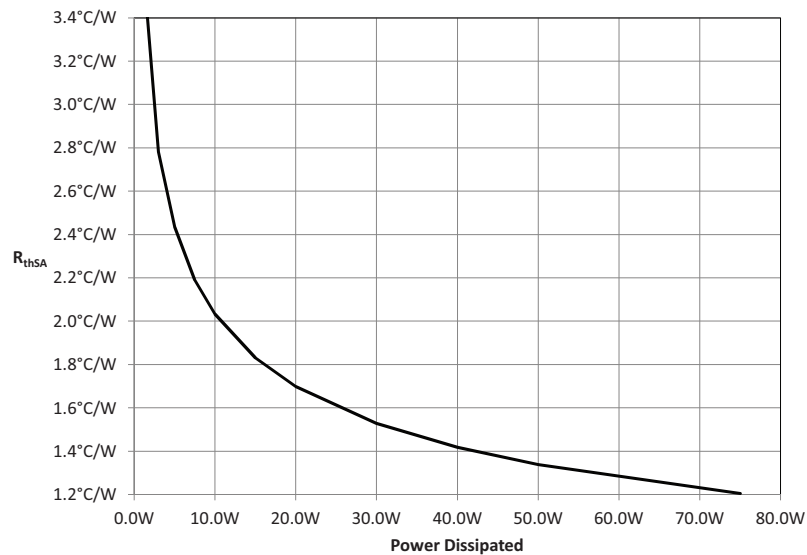
Dimensions including the SSR.

# Features

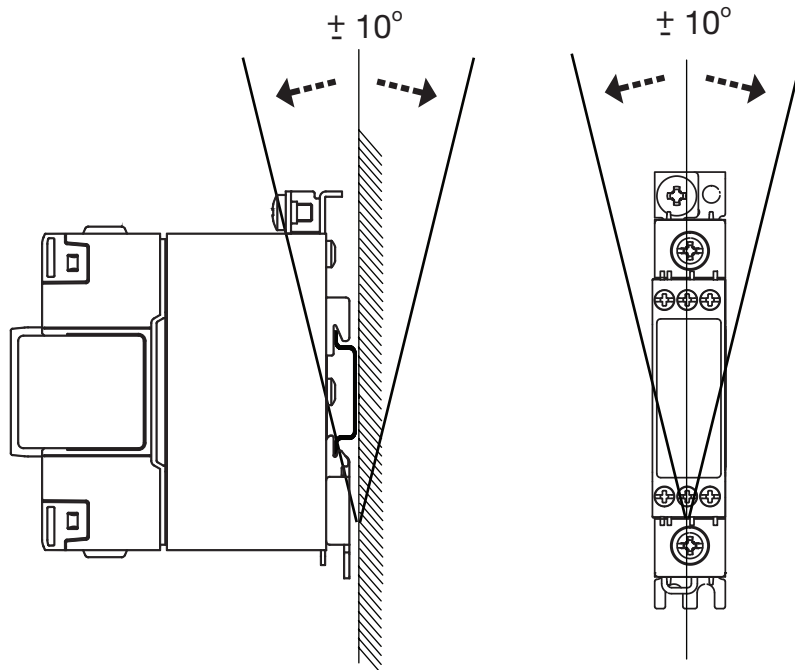
## General

|                                 |                    |
|---------------------------------|--------------------|
| <b>SSR max. mounting torque</b> | 1.5Nm (13.3 lb-in) |
| <b>Weight (excl. SSR)</b>       | approx. 335g       |
| <b>Material</b>                 | Aluminium          |
| <b>Finish</b>                   | None               |
| <b>Fan mounting</b>             | Not possible       |

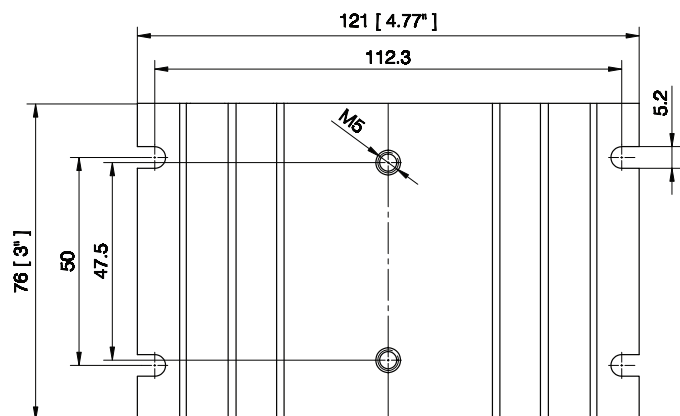
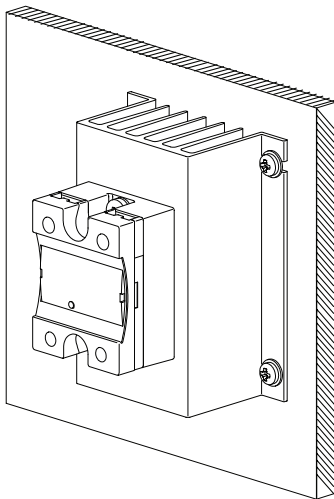
## Thermal resistance curve



### Mounting position



### Installation



All dimensions in mm.  
Illustrations are for example only.

## Recommended maximum current rating (per SSR)


1. The below recommendations are only valid when the assembly (SSR + heatsink) is mounted as shown in the mounting instructions unless otherwise indicated.
2. The indicated ratings are applicable to one SSR, one pole. Please refer to the online selector tool at [www.productselection.net](http://www.productselection.net) for different load currents, surrounding temperatures or multiple units on one heatsink.
3. These recommendations are applicable only with the indicated Carlo Gavazzi thermal interface material between SSR and heatsink. In case a different thermal interface is utilised these recommendations may no longer be valid.

### Pre-attached phase change pad, RKHT

| 1x<br>2-pole<br>SSR | Surrounding temperature |          |          |           |           |           |           |           |
|---------------------|-------------------------|----------|----------|-----------|-----------|-----------|-----------|-----------|
|                     | °C<br>°F                | 20<br>68 | 30<br>86 | 40<br>104 | 50<br>122 | 60<br>140 | 70<br>158 | 80<br>176 |
| RK 2.. (per pole)   | 50                      | 36       | 32       | 28        | 24        | 20        | 16        | 12        |
|                     | 51                      | 39.5     | 35       | 30.5      | 26        | 21.5      | 17        | 12.5      |
|                     | 75                      | 44.5     | 39       | 34        | 29        | 24        | 18.5      | 13.5      |

 Thermal compound, HTS02S

| 1x<br>1-phase<br>SSR                         | Surrounding temperature |          |          |           |           |           |           |           |
|--|-------------------------|----------|----------|-----------|-----------|-----------|-----------|-----------|
|  | °C<br>°F                | 20<br>68 | 30<br>86 | 40<br>104 | 50<br>122 | 60<br>140 | 70<br>158 | 80<br>176 |
| RD..   | 1                       | 1        | 1        | 1         | 1         | 1         | 1         | -         |
|  | 5                       | 5        | 5        | 5         | 5         | 5         | 5         | -         |
| RA..L<br>RA..T                               | 10                      | 10       | 10       | 10        | 10        | 10        | 10        | -         |
|  | 25                      | 24.5     | 23.5     | 20.5      | 18        | 15        | 11.5      | -         |
| RA..   | 25                      | 25       | 25       | 24.5      | 20.5      | 16.5      | 12.5      | -         |
|  | 50                      | 40       | 37       | 32        | 26.5      | 21.5      | 16        | -         |
|  | 90                      | 51.5     | 48.0     | 41        | 34        | 27        | 20        | -         |
|  | 110                     | 57.5     | 53.5     | 45.5      | 37.5      | 29.5      | 22        | -         |
| RA60..                                       | 50                      | 39.5     | 37       | 32        | 27        | 21.5      | 16.5      | -         |
| RA2A.. (per pole)                            | 25                      | 25       | 25       | 22.5      | 18        | 13.5      | 9         | -         |
|  | 40                      | 30       | 28.5     | 25        | 19.5      | 14.5      | 9.5       | -         |
|  | 25M                     | 25       | 25       | 22.5      | 18        | 13.5      | 9         | -         |
|  | 40M                     | 30.5     | 29       | 25        | 19.5      | 14.5      | 9.5       | -         |
| RS1A..                                       | 10                      | 10       | 10       | 10        | 9         | 7         | 5         | -         |
|  | 25                      | 25       | 25       | 25        | 25        | 21        | 14.5      | -         |
|  | 40                      | 40       | 40       | 37.5      | 30.5      | 23        | 15.5      | -         |
| RS1A..E                                      | 25                      | 21       | 19.5     | 17        | 14.5      | 12        | 10        | -         |
|  | 40                      | 24.5     | 23       | 20        | 17        | 14.5      | 11.5      | -         |
| RM1A..<br>RM1B..<br>RM1C..                   | 25                      | 25       | 25       | 25        | 25        | 21        | 14.5      | -         |
|  | 50                      | 49       | 45       | 37.5      | 30.5      | 23        | 15.5      | -         |
|  | 75                      | 58.5     | 54       | 45        | 36        | 27        | 18        | -         |
|  | 100                     | 64.5     | 59.5     | 49        | 39        | 29        | 19.5      | -         |
| RM1A60..<br>RM1B60..<br>RM1C60..<br>RM1E60.. | 50                      | 44       | 42       | 37.5      | 31        | 23.5      | 16        | -         |
| RAM1A..<br>RAM1B..<br>RM1E..                 | 25                      | 25       | 25       | 25        | 25        | 21        | 14.5      | 8         |
|  | 50                      | 49       | 45       | 37.5      | 30.5      | 23        | 15.5      | 8.5       |
|  | 75                      | 58.5     | 54       | 45        | 36        | 27        | 18        | 10        |
|  | 100                     | 58.5     | 54       | 45        | 36        | 27        | 18        | 10        |
|  | 125                     | 64.5     | 59.5     | 49        | 39        | 29        | 19.5      | 10.5      |

 Thermal pad, KK071CUT

| 1x<br>1-phase<br>SSR                         | Surrounding temperature |          |          |           |           |           |           |           |
|--|-------------------------|----------|----------|-----------|-----------|-----------|-----------|-----------|
|  | °C<br>°F                | 20<br>68 | 30<br>86 | 40<br>104 | 50<br>122 | 60<br>140 | 70<br>158 | 80<br>176 |
| RD..   | 1                       | 1        | 1        | 1         | 1         | 1         | 1         | -         |
|  | 5                       | 5        | 5        | 5         | 5         | 5         | 5         | -         |
| RA..L<br>RA..T                               | 10                      | 10       | 10       | 10        | 10        | 10        | 10        | -         |
|  | 25                      | 22       | 21       | 18.5      | 16        | 13.5      | 10.5      | -         |
| RA..   | 25                      | 25       | 25       | 22.5      | 19        | 15.5      | 11.5      | -         |
|  | 50                      | 36       | 33.5     | 29        | 24        | 19.5      | 14.5      | -         |
|  | 90                      | 44       | 41       | 35.5      | 29.5      | 23.5      | 17.5      | -         |
|  | 110                     | 49       | 45.5     | 39        | 32.5      | 25.5      | 19        | -         |
| RA60..                                       | 50                      | 35.5     | 33.5     | 29        | 24.5      | 19.5      | 15        | -         |
| RA2A.. (per pole)                            | 25                      | 24.5     | 23       | 20.5      | 18        | 13.5      | 9         | -         |
|  | 40                      | 27.5     | 26       | 23        | 20        | 15        | 10        | -         |
|  | 25M                     | 24.5     | 23       | 20.5      | 18        | 13.5      | 9         | -         |
|  | 40M                     | 28       | 26.5     | 23.5      | 20        | 15        | 10        | -         |
| RS1A..                                       | 10                      | 10       | 10       | 10        | 8.5       | 6.5       | 5         | -         |
|  | 25                      | 25       | 25       | 25        | 23.5      | 18        | 12.5      | -         |
|  | 40                      | 40       | 38       | 31.5      | 25.5      | 19.5      | 13.5      | -         |
| RS1A..E                                      | 25                      | 18.5     | 17.5     | 15.5      | 13        | 11        | 9         | -         |
|  | 40                      | 21.5     | 20       | 17.5      | 15        | 12.5      | 10        | -         |
| RM1A..<br>RM1B..<br>RM1C..                   | 25                      | 25       | 25       | 25        | 23.5      | 18        | 12.5      | -         |
|  | 50                      | 41       | 38       | 31.5      | 25.5      | 19.5      | 13.5      | -         |
|  | 75                      | 47.5     | 43.5     | 36.5      | 29.5      | 22.5      | 15.5      | -         |
|  | 100                     | 51.5     | 47.5     | 39.5      | 31.5      | 24        | 16.5      | -         |
| RM1A60..<br>RM1B60..<br>RM1C60..<br>RM1E60.. | 50                      | 39.5     | 37.5     | 32        | 26        | 20        | 14        | -         |
| RAM1A..<br>RAM1B..<br>RM1E..                 | 25                      | 25       | 25       | 25        | 23.5      | 18        | 12.5      | 7         |
|  | 50                      | 41       | 38       | 31.5      | 25.5      | 19.5      | 13.5      | 7.5       |
|  | 75                      | 47.5     | 43.5     | 36.5      | 29.5      | 22.5      | 15.5      | 8.5       |
|  | 100                     | 47.5     | 43.5     | 36.5      | 29.5      | 22.5      | 15.5      | 8.5       |
|  | 125                     | 51.5     | 47.5     | 39.5      | 31.5      | 24        | 16.5      | 9         |



## References

### CARLO GAVAZZI compatible components

| Purpose                  | Component name/code | Notes  |
|--------------------------|---------------------|--|
| Thermal pads             | KK071CUT            | Packing qty. 50 pcs.                           |
| Phase change thermal pad | RKHT                | Packing qty. 10 pcs.                           |
| Thermal compound         | HTS02S              | 2ml syringe of silicone based thermal compound |
| Screw Kits               | SRWKITM5X10MM       | Packing qty. 20 pcs.                           |

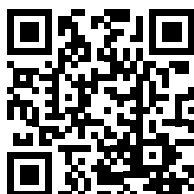
### Further reading

| Information                   | Where to find it  |
|-------------------------------|---|
| Online heatsink selector tool | <a href="http://www.productselection.net/heatsink/heatsinkSelector.php?LANG=UK">http://www.productselection.net/heatsink/heatsinkSelector.php?LANG=UK</a> |
| Accessories                   | <a href="http://www.productselection.net/Pdf/UK/SSR_Accessories.pdf">http://www.productselection.net/Pdf/UK/SSR_Accessories.pdf</a>                       |

### Order code



**RHS10067D**



COPYRIGHT ©2016  
Content subject to change. Download the PDF: [www.productselection.net](http://www.productselection.net)