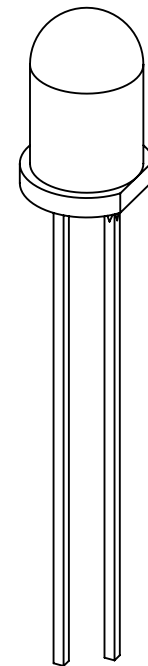
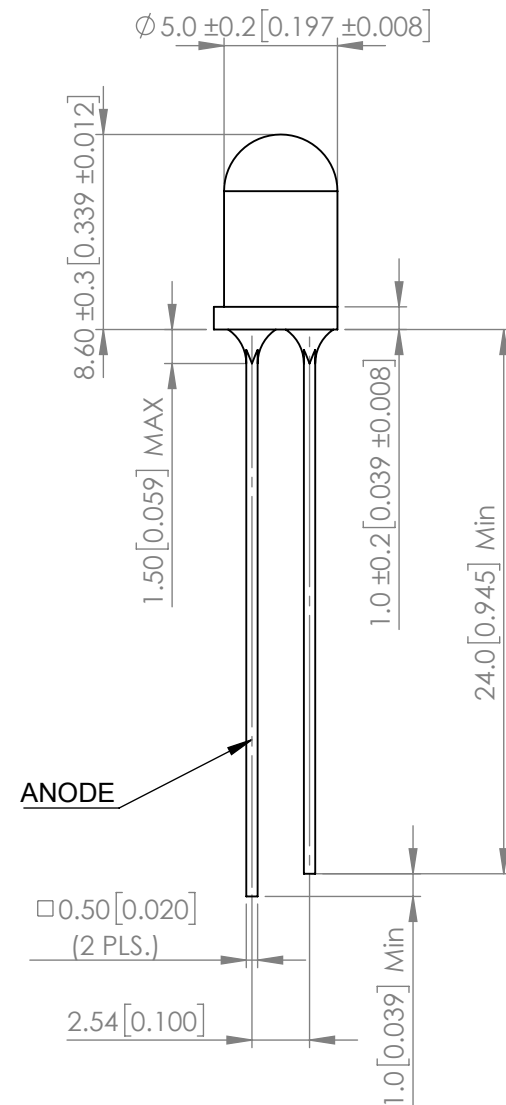
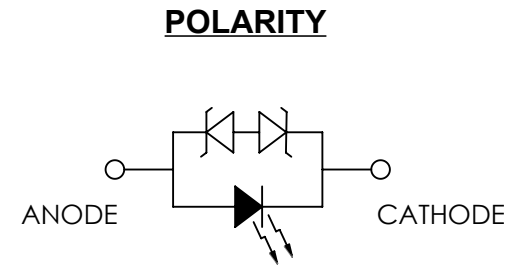
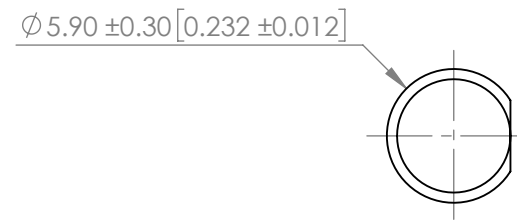


<b>PART NUMBER</b>		SSL-LX5093UWW	<b>REV</b>	D
<b>REV</b>	<b>E.C.N. NUMBER AND REVISION COMMENTS</b>			<b>DATE</b>
A	E.C.N. #11283.			1.6.06
B	E.C.N. #11148			10.27.06
C	E.C.N. #11573			7.1.09
D	ECN-Lumex201700014			05.10.17



**ELECTRO-OPTICAL CHARACTERISTIC TA=25°C**

PARAMETER	MIN	TYP	MAX	UNITS	TEST COND
FORWARD VOLTAGE	-	3.2	-	Vf	If=20mA
REVERSE VOLTAGE	-	-	5	Vr	Ir=50uA
LUMINOUS INTENSITY	1800	-	3600	mcd	If=20mA
CHROMATICITY COORDINATES(*2)	X	0.30	-	-	If=20mA
	Y	0.29	-	-	
VIEWING ANGLE	-	70	-	2x theta 1/2	If=20mA
EMITTED COLOR	WHITE				
EPOXY LENS FINISH	MILKY WHITE DIFFUSED				

\*1.AXIAL INTENSITY TESTING CONDITION: 550nm WAVELENGTH.  
\*2.THE ICI STANDARD COLORIMETRIC SYSTEM.

**ABSOLUTE MAXIMUM RATINGS TA=25°C**

PARAMETER	MAX	UNITS
PEAK FORWARD CURRENT*	100	mA
FORWARD CURRENT	30	mA
POWER DISSIPATION	110	mW
OPERATING TEMPERATURE	-40 TO +85	°C
STORAGE TEMPERATURE	-40 TO +100	°C
SOLDERING TEMPERATURE	3 SEC. MAX @ 260	°C

\*t<10us

CUSTOM: STATIC DEVICE  
FOLLOW PROPER E.S.D. HANDLING PROCEDURES  
WHEN WORKING WITH THIS PART.



\*UNLESS OTHERWISE SPECIFIED TOLERANCES PER DECIMAL PRECISION ARE: X=±1 (±0.039), X.X=±0.5 (±0.020), X.XX=±0.25 (±0.010), X.XXX=±0.127 (±0.005). LEAD SIZE=±0.05 (±0.002), LEAD LENGTH=±0.75 (±0.030). MIN= <sup>+DECIMAL PRECISION</sup>/<sub>-0.00</sub> MAX= <sup>+0.00</sup>/<sub>-DECIMAL PRECISION</sub>