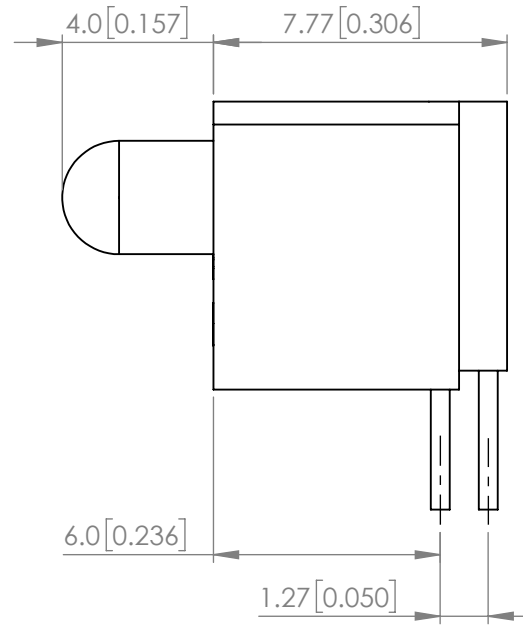
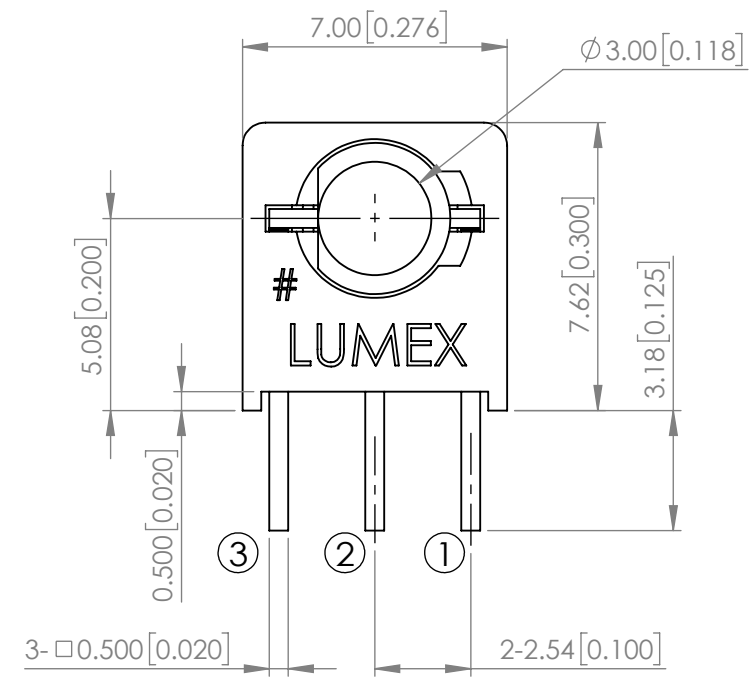
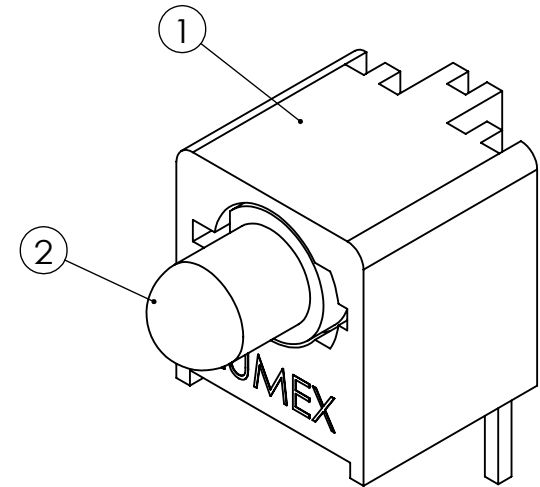
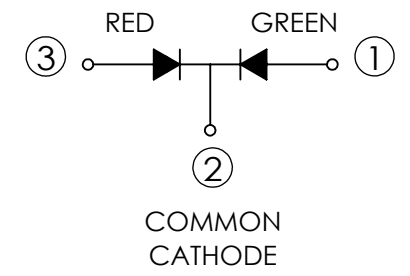


PART NUMBER		SSF-LXH409-59IGW	REV	C
REV	E.C.N. NUMBER AND REVISION COMMENTS			DATE
A	E.C.N.#10669			10.06.00
B	E.C.N.#10BRDR. & REDRAWN			02.23.12
C	ECN-Lumex202300092			08.09.23



ELECTRO-OPTICAL CHARACTERISTIC TA=25°C

PARAMETER		MIN	TYP	MAX	UNITS	TEST COND
PEAK WAVELENGTH	R	-	627	-	nm	If=20mA
	G	-	565	-		
FORWARD VOLTAGE	R	-	2.0	2.5	V	If=20mA
	G	-	2.2	2.5		
REVERSE CURRENT	R	-	-	10	uA	Vr=5V
	G	-	-	10		
LUMINOUS INTENSITY	R	-	16	-	mcd	If=20mA
	G	-	40	-		
VIEWING ANGLE		-	60	-	2x theta1/2	-
EMITTED COLOR	RED/GREEN					
EPOXY LENS FINISH	WHITE DIFFUSED					



ABSOLUTE MAXIMUM RATINGS TA=25°C

PARAMETER	MAX	UNITS
PEAK FORWARD CURRENT (R/G)*	150/140	mA
FORWARD CURREN (R/G)	30/25	mA
REVERSE VOLTAGE (R/G)	5/5	V
POWER DISSIPATION (R/G)	75/63	mW
STORAGE TEMPERATURE	-40 to +85	°C
OPERATING TEMPERATURE	-40 to +85	°C
LEAD SOLDER TEMPERATURE	3SEC MAX@260	°C

*1/10 Duty Cycle, 0.1ms Pulse Width.
**2mm FROM BODY

NOTES :

ITEM	P/N	DESCRIPTION
1	SSH-LXH409	BLACK HOLDER
2	SSL-LX3059IGW	R/G BICOLOR LED

*UNLESS OTHERWISE SPECIFIED TOLERANCES PER DECIMAL PRECISION ARE: X=±1 (±0.039), X.X=±0.5 (±0.020), X.XX=±0.25 (±0.010), X.XXX=±0.127 (±0.005). LEAD SIZE=±0.05 (±0.002), LEAD LENGTH=±0.75 (±0.030). MIN= ^{+DECIMAL PRECISION}/_{-0.00} MAX= ^{+0.00}/_{-DECIMAL PRECISION}