

SCE扣式系列

SCE Module Series

扣式系列



V-TYPE



H-TYPE



C-TYPE

产品特性 / Product and dimensions

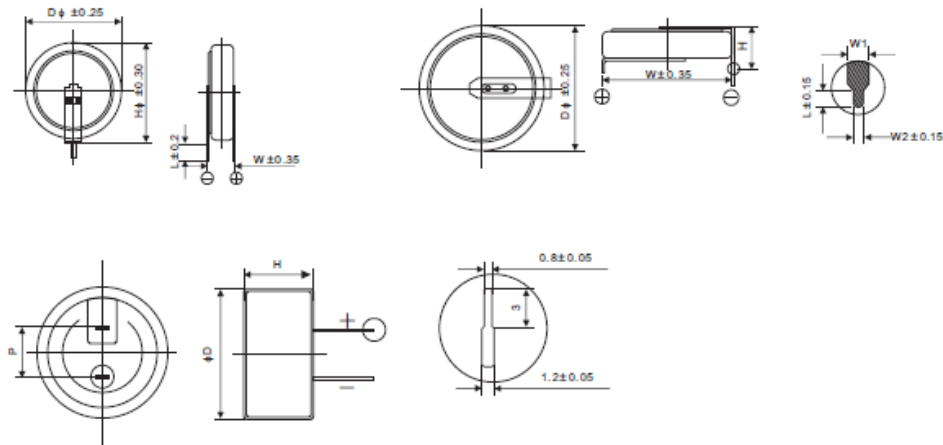
较宽的使用温度-25℃~70℃；充放电循环寿命长，漏电流低，适合时钟芯片数据保持；多种结构安装时可选择V、H、C型；

Wide work temperature range from -25 to +70; Long cycle life, low leakage current, low leakage current, Suitable for clock chip data retention; Selectable solder type of V, H, C.

产品性能 / Product performance

项目Item	特性 Performance Characteristics	测试条件 (依据IEC62391-1) According to IEC62391-1
工作温度范围 Working temperature range	-25℃~+70℃	
额定工作电压 Rated voltage	5.5v	
浪涌工作电压 Surge voltage	6.5v	
标称容量范围 Nominal capacitance range	0.1F~4.0F	
容量允许偏差 Capacitance tolerance	-20%~+80%	依据IEC62391-1要求 According to IEC62391-1
控制容量偏差 Controlled capacitance tolerance	-10%~+20%	
等效串联内阻 ESR	依据规定值 On the basis of the specified value	1KHz100mA 常温条件下测量 Measure@1KHz,100ma,room temperature
漏电流 Leakage current(24h,LC)	依据规定值 On the basis of the specified value	额定电压, 充电24h Rated voltage, charging for 24h
耐久性 Loading life	+70℃下采用额定电压1000小时后, 电容器符合规定的限制 After 1000hours application of rated voltage at 70, the capacitance shall meet the following requirement;	
	容量变化 Capactance change	≤30%初始测试值 Not more than 30% of the intial measured capacitance value
	等效串联内阻变化 EDR change	≤3倍初始规定值 No more than 3 times of specified ESR value
	漏电流 Leakage Current	满足初始规定值 Meet the initial specified value
贮存寿命 Shelf life	+70℃下贮存1000小时后电容器符合规定的限值。 After storage for 1000 hours at +70℃, the capacitors shall meet the requirement of loading life above	
循环次数 Cycles	在+25℃下, 用恒定电流使电容器在规定的电压和半额定电压间循环冲放电 (5×10 ⁵ 次) The capacitors shall be charged/discharged with constant between the Ur and 1/2Ur maintained at 25 for 5×10 ⁵ cycles After removing the current at room temperature, they meet the following requirement:	
	容量变化 Capactance change	≤30% 初始测试值 No more than 30% of the initial measured capacitance value
	等效串联内阻变化 ESR change	≤3倍初始规定值 Not more than 3 times of specified ESR value
	漏电流 Leakage Current	满足初始规定值 Meet the initial specified value

标准产品外型尺寸图 / Shape of standard product



标准产品规定值及尺寸 / Standard product and dimensions

型号 Part number	额定电压(V) Rated voltage	容量(F) Capacitance	最大内阻(Ω) MAX, ESR, (@1kHz)	24h漏电流 (μA)	φD×H ±0.5 (mm)	F±0.5 (mm)
SCE5R5V104	5.5	0.1	50	5	11.5×4.5	5
SCE5R5V224	5.5	0.22	40	5	11.5×4.5	5
SCE5R5V334	5.5	0.33	40	8	11.5×4.5	5
SCE5R5V474	5.5	0.47	20	8	11.5×4.5	5
SCE5R5V105	5.5	1.0	15	10	19.5×4.5	5
SCE5R5V155	5.5	1.5	10	10	19.5×4.5	5
SCE5R5V405	5.5	4.0	10	15	24.8×6.7	7
SCE5R5V505	5.5	5.0	10	15	24.8×6.7	7
SCE5R5H104	5.5	0.1	50	5	11.5×4.5	11.5
SCE5R5H224	5.5	0.22	40	5	11.5×4.5	11.5
SCE5R5H334	5.5	0.33	40	8	11.5×4.5	11.5
SCE5R5H474	5.5	0.47	20	8	11.5×4.5	11.5
SCE5R5H105	5.5	1.0	15	10	19.5×6.5	19.5
SCE5R5H155	5.5	1.5	10	10	19.5×6.5	19.5
SCE5R5H405	5.5	4.0	10	15	24.8×6.7	24.8
SCE5R5H505	5.5	5.0	10	15	24.8×6.7	24.8
SCE5R5C104	5.5	0.1	50	5	13.5×6.5	5
SCE5R5C224	5.5	0.22	40	5	13.5×6.5	5
SCE5R5C334	5.5	0.33	40	8	13.5×6.5	5
SCE5R5C474	5.5	0.47	20	8	13.5×6.5	5
SCE5R5C105	5.5	1.0	15	10	21×7.5	5
SCE5R5C155	5.5	1.5	10	10	21×7.5	5