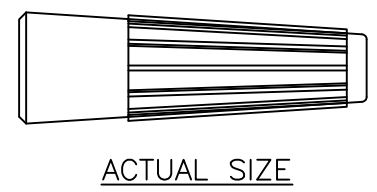
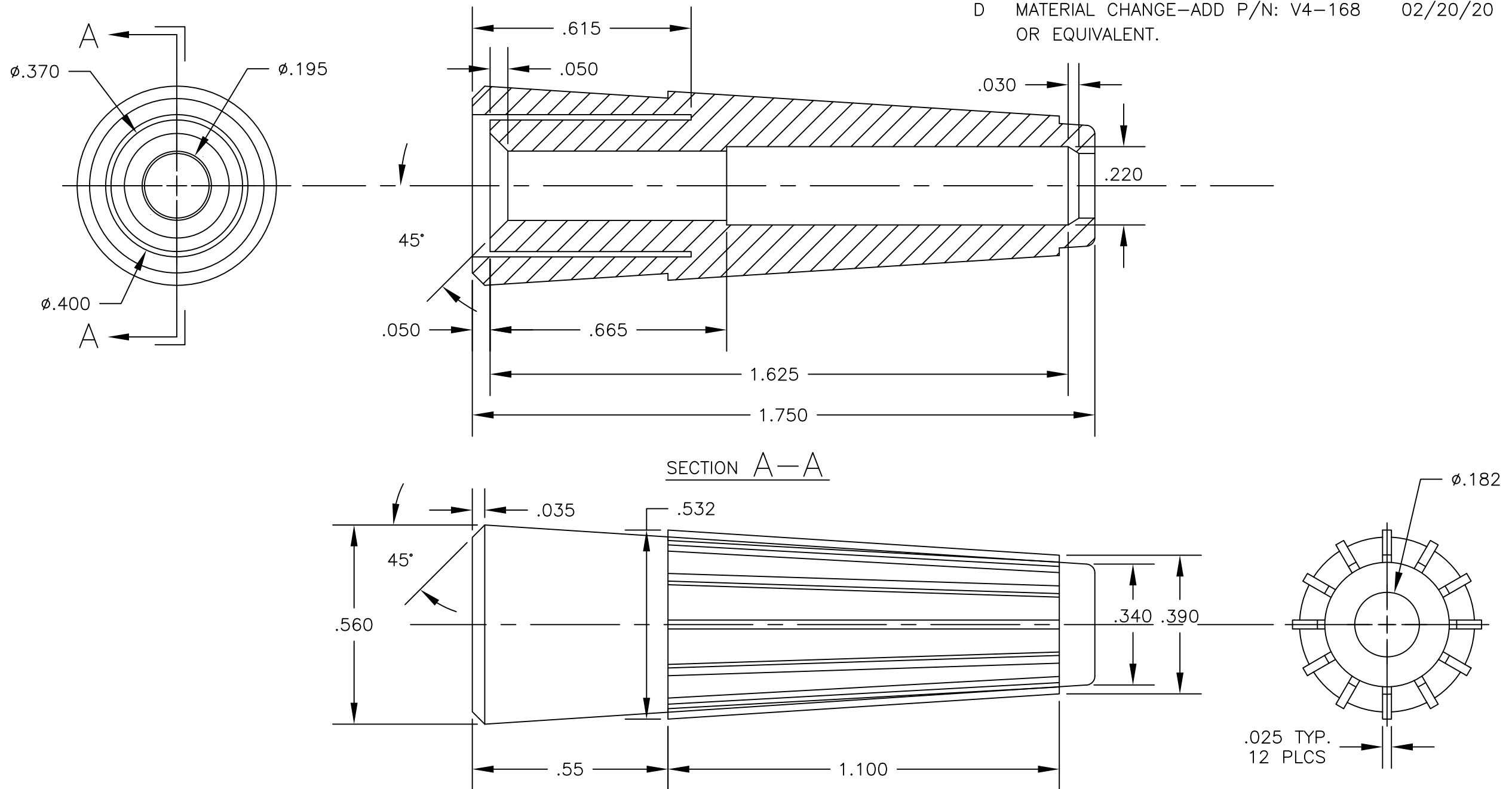


NOTES: UNLESS OTHERWISE SPECIFIED

- MATERIAL:
 P/N VO-283: NATURAL NON-CONTAMINATING PVC OR
 P/N: V4-168: NATURAL NON-CONTAMINATING PVC OR EQUIVALENT
 YIELDS: 150 PARTS PER LB
- FINISH: ALL TEN COLORS

REVISIONS			
LTR	DESCRIPTION	DATE	APPROVED
A	RELEASED FOR PRODUCTION	10/30/92	S.B.W.
B	MATERIAL CHANGE WAS P/N V4-220 IS V1-43 NON-CONTAMINATING PVC	2/23/96	S.B.W.
C	MATERIAL CHANGE WAS P/N V1-43 IS VO-283 NON-CONTAMINATING PVC	1/31/11	S.B.W.
D	MATERIAL CHANGE-ADD P/N: V4-168 OR EQUIVALENT.	02/20/20	R.L.



		UNLESS OTHERWISE SPECIFIED DIMENSIONS ARE IN INCHES TOLERANCES ARE: FRACTIONS DECIMALS ANGLES $\pm N/A$ $.XX \pm N/A$ $\pm N/A$ $.XXX \pm N/A$	CONTRACT NO.		E-Z-HOOK DIVISION OF TEKTEST INC. ARCADIA, CA 91006 U.S.A.
			APPROVALS	DATE	
		MATERIAL SEE NOTE	DRAWN S.B.W.	10/92	DESCRIPTION STRAIN RELIEF BOOT
		FINISH SEE NOTE	APPROVED BY		SIZE B
NEXT ASSY	USED ON				CODE IDENT NO. 08505
APPLICATION		DO NOT SCALE DRAWING			DRAWING NO. SR58
					REV. D
					SCALE 3:1
					SHEET 1 OF 1