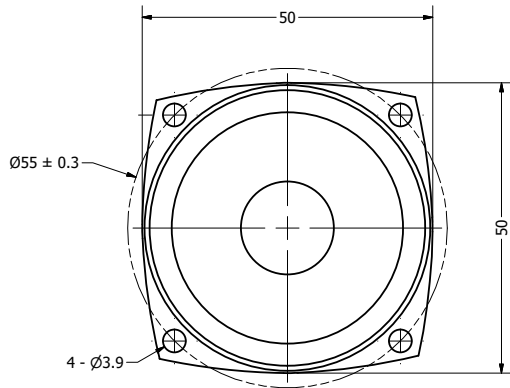
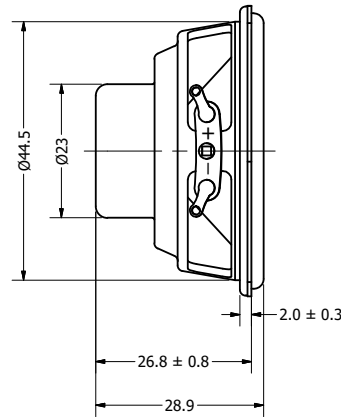


Part Number:	<b>SP500104-1</b>	
DESCRIPTION:	Dynamic Speaker	
DRAWN	CJ	9/24/2015
CHECKED	P.D	9/24/2015
APPROVED	J.S	9/24/2015
This document contains data proprietary to DB Unlimited. Any use or reproduction, in any form, without prior written permission of DB Unlimited is prohibited. All terms and conditions can be found at <a href="http://www.dbunlimitedco.com">www.dbunlimitedco.com</a>		

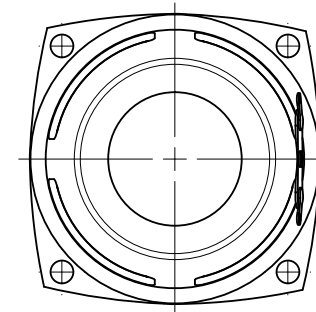
Top View



Side View



Bottom View



Items	Specifications	Conditions	REVISION HISTORY			
Sound Pressure Level	101	dB (@ 10cm)	REV	DESCRIPTION	DATE	APPROVED
Resonant Frequency	135	Hz	1	Released from Engineering	10/21/2013	J.S.
Frequency Range	135 ~ 20,000	Hz	2	Updated to new template	9/24/2015	J.S.
Nominal Power	5	W		Added bottom view	6/19/2017	C.E.
Max. Power	10	W				
Impedance	4	Ω				
Cone Material	Paper		NOTES			
Mount Type	Frame		1) All dimensions are in mm unless otherwise noted			
Storage Temperature	-25 ~ +55	°C	2) All tolerances are ± 0.5 mm unless otherwise noted			
Operating Temperature	-25 ~ +55	°C	3) All parts meet RoHS			
Weight	30	g	4) Subject to change or redrawn without notice			