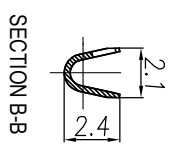
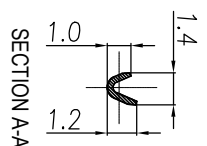
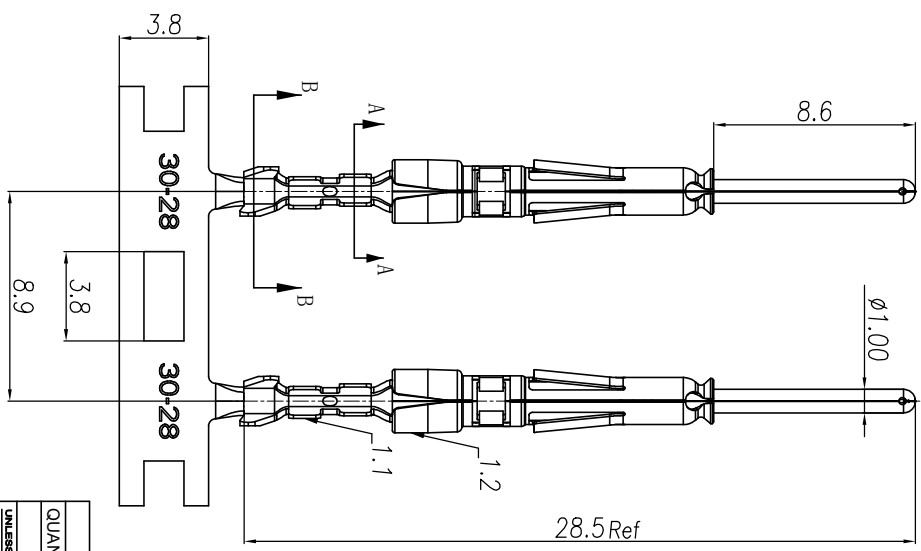


CONTACT ORIENTATION ON ROLL
 NOTES: (UNLESS OTHERWISE SPECIFIED)

1. MATERIAL:
 - 1.1. CONTACT BODY: COPPER ALLOY.
 - 1.2. OUTER SPRING: STAINLESS STEEL.
2. SPECIFICATIONS:
 - 2.1 CURRENT RATING: 5A MAX.
 - 2.2 TERMINATION TYPE: CRIMPING.
 - 2.3 WIRE RANGE: 30-28AWG.
 - 2.4 WIRE INSULATION DIA(MAX): $\varnothing 1.8\text{mm}$.
3. RoHS COMPLIANT.
4. ALL DIMENSIONS ARE FOR REFERENCE USE ONLY.
5. AVAILABLE TOOLS:
 - 5.1 HAND CRIMPER: MFX-3958 (A3)
 - 5.2 CRIMP APPLICATOR: MFX-3957.
 - 5.3 EXTRACTION TOOL: QXRT20.



| REVISIONS | | | | |
|-----------|-----|------------------------|-----------|--------------|
| REV | ECO | DESCRIPTION | DATE | BY APPR |
| A1 | - | RELEASED DRAWING | Nov-8-17 | Rookie Tommy |
| A2 | - | ADD THE GS PART NUMBER | Jan-28-19 | Blink Tommy |
| A3 | - | CHANGE HAND CRIMPER | Nov-8-19 | Flan Tommy |

| P/N | CONTACT PLATING(MATING AREA) |
|-----------|--------------------------------------|
| SP28W2T | TIN PLATING OVER NICKEL. |
| SP28W2N | NICKEL PLATING OVER COPPERIZE. |
| SP28W2F | GOLD FLASH PLATING OVER NICKEL. |
| SP28W2G5 | 5 μ " GOLD PLATING OVER NICKEL. |
| SP28W2G10 | 10 μ " GOLD PLATING OVER NICKEL. |
| SP28W2G15 | 15 μ " GOLD PLATING OVER NICKEL. |
| SP28W2G30 | 30 μ " GOLD PLATING OVER NICKEL. |

| QUANTITY | PART NUMBER | DESCRIPTION | ITEM |
|----------|-------------|-------------|------|
| | | | |

| MATERIALS LIST | | | |
|--|-----------------------|----------|--------------|
| UNLESS OTHERWISE SPECIFIED | SIGNATURES | DATE | |
| 1) All dimensions are in inches/mm. | Drawn: Ril | Nov-8-19 | |
| 2) Tolerances are as follows: | Checked: Mah | Nov-8-19 | |
| 1 Pl. DEC 20-00 | Engineer: | | |
| 2 Pl. DEC 20-00 | Approve: Tommy | Nov-8-19 | |
| 3) Note reference = | Customer: | | |
| MATERIAL SPECIFICATIONS | | | |
| PROCESS SPECIFICATIONS | | | |
| NOTE: DRAWING IS SUBJECT TO THE SPECIFICATIONS AND PERFORMANCE DATA OF THE MANUFACTURER. THE MANUFACTURER'S CORRECTION NO. IS NOT A REVISION. ALL DIMENSIONS ARE IN INCHES UNLESS OTHERWISE NOTED. | | | |
| SCALE: NONE | SIZE: B | TYPE: C- | REVISION: A3 |

Amphenol
 Sine Systems - www.amphenol-sine.com
 44724 Montley Drive
 Clinton Township, MI 48038

ECO-MATE PIN CONTACT.
 STAMPED, 28-30AWG, SIZE 20