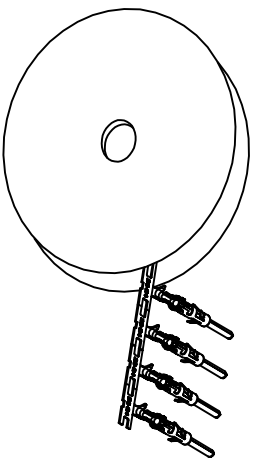


REVISIONS				
REV	ECO	DESCRIPTION	DATE	BY APPR
A1	-	RELEASED DRAWING	Jul-16-18	Flan Tommy



CONTACT ORIENTATION ON ROLL(3000PCS/COIL)

NOTES : (UNLESS OTHERWISE SPECIFIED)  
 1. MATERIAL :

- 1.1. CONTACT BODY : COPPER ALLOY.
- 1.2. OUTER SPRING : STAINLESS STEEL.

2. SPECIFICATIONS :

- 2.1 CURRENT RATING : 13A MAX.
- 2.2 TERMINATION TYPE : CRIMPING.
- 2.3 WIRE RANGE : 26~24AWG.
- 2.4 WIRE INSULATION DIA(MAX) :  $\phi$ 2.1mm.

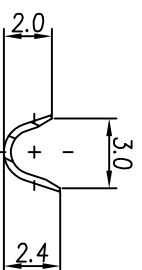
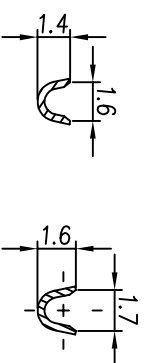
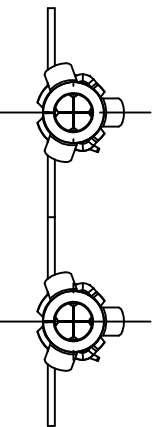
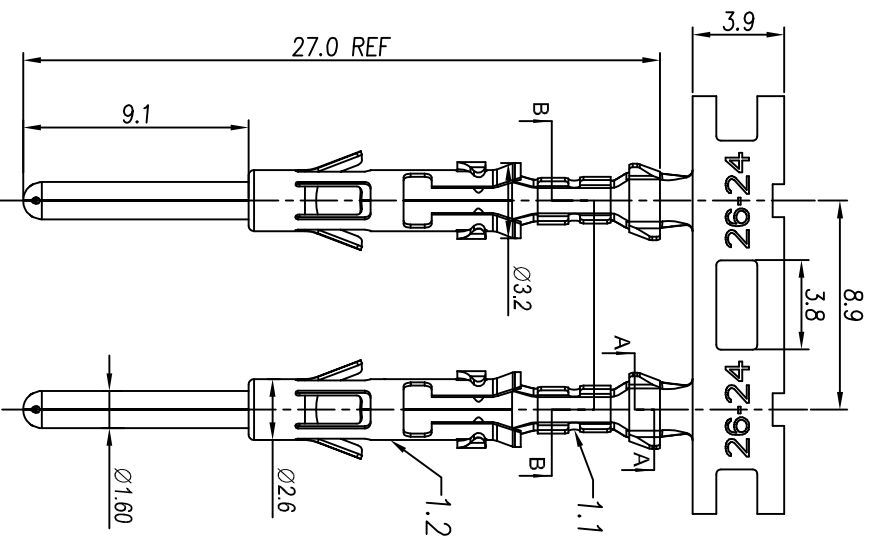
3. RoHS COMPLIANT.

4. ALL DIMENSIONS ARE FOR REFERENCE USE ONLY.

5. AVAILABLE TOOLS :

- 5.1 HAND CRIMPER : MFX-3954.
- 5.2 CRIMP APPLICATOR : MFX-3957.
- 5.3 EXTRACTION TOOL : QXRT16.

P/N	CONTACT PLATING(MATING AREA)
SP24M2T	TIN PLATING OVER NICKEL.
SP24M2N	NICKEL PLATING OVER COPPERIZE.
SP24M2F	GOLD FLASH PLATING OVER NICKEL.
SP24M2G5	5 $\mu$ "GOLD PLATING OVER NICKEL.
SP24M2G10	10 $\mu$ "GOLD PLATING OVER NICKEL.
SP24M2G15	15 $\mu$ "GOLD PLATING OVER NICKEL.
SP24M2G30	30 $\mu$ "GOLD PLATING OVER NICKEL.



QUANTITY	PART NUMBER	DESCRIPTION	ITEM
<b>MATERIALS LIST</b>			
UNLESS OTHERWISE SPECIFIED 1) All dimensions are in millimeters. 2) Tolerances are as follows: 1 PL DEC 240.30 Fractions, 3 1/4 3 PL DEC 240.08			
3) Note reference =			
MATERIAL SPECIFICATIONS:		CUSTOMER: Tommy Jul-16-18	
PROCESS SPECIFICATIONS:		TEST SPECIMENS SUPPLIED FOR: IDENTIFICATION AND PERFORMANCE DATA SPECIFICATIONS AND PERFORMANCE DATA THE MANUFACTURING CORPORATION NO REPORTS OF REPRODUCTION ARE ISENT. ALL MANUFACTURING VARIATIONS	
NEXT ASSY:	SCALE: NONE	SIZE: B	TYPE: C-
ECO-MATE PIN CONTACT, STAMPED, 26-24AWG, SIZE 16		<b>Amphenol</b> Sine Systems - www.amphenol-sine.com 44724 Morley Drive Clinton Township, MI 48036	
REV: A1	SP24M2XX	SHEET 1	OF 1