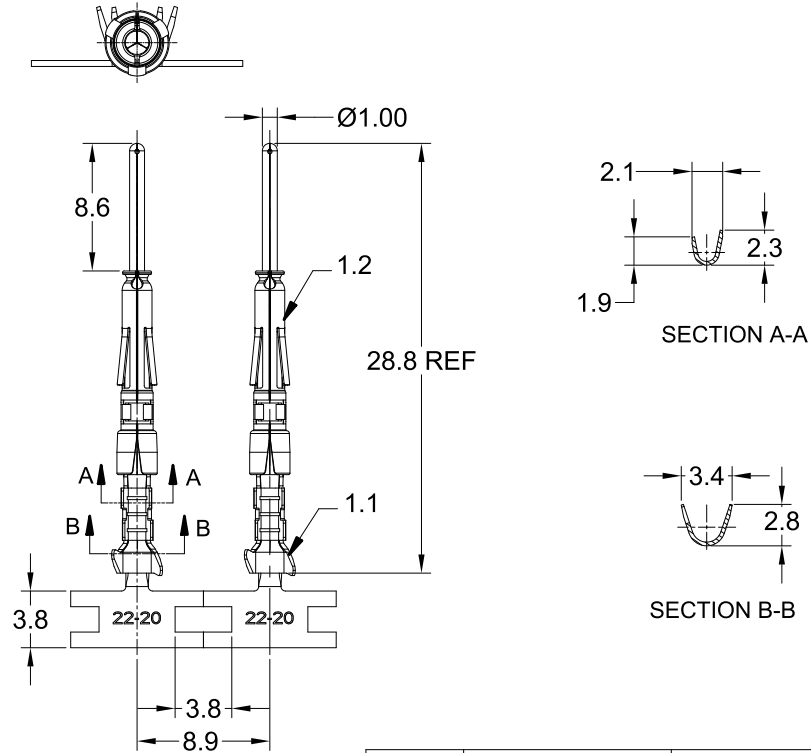


CONTACT ORIENTATION ON ROLL

NOTES: (UNLESS OTHERWISE SPECIFIED)

1. MATERIAL:
 - 1.1. CONTACT BODY: COPPER ALLOY.
 - 1.2. OUTER SPRING: STAINLESS STEEL.
2. SPECIFICATIONS:
 - 2.1 CURRENT RATING: 5A MAX.
 - 2.2 TERMINATION TYPE: CRIMPING.
 - 2.3 WIRE RANGE: 18~22AWG.
 - 2.4 WIRE INSULATION DIA(MAX): Ø2.6mm.
3. RoHS COMPLIANT.
4. ALL DIMENSIONS ARE FOR REFERENCE USE ONLY.
5. AVAILABLE TOOLS:
 - 5.1 HAND CRIMPER: MFX-3958.
 - 5.2 CRIMP APPLICATOR: MFX-3957.
 - 5.3 EXTRACTION TOOL: QXRT20.

P/N	CONTACT PLATING(MATING AREA)
SP20W2T	TIN PLATING OVER NICKEL.
SP20W2N	NICKEL PLATING OVER COPPERIZE.
SP20W2F	GOLD FLASH PLATING OVER NICKEL.
SP20W2G5	5µ" GOLD PLATING OVER NICKEL.
SP20W2G10	10µ" GOLD PLATING OVER NICKEL.
SP20W2G15	15µ" GOLD PLATING OVER NICKEL.
SP20W2G30	30µ" GOLD PLATING OVER NICKEL.



REVISIONS					
REV	ECO	DESCRIPTION	DATE	BY	APPR
A1	-	RELEASED DRAWING	Nov-9-17	Rookie	Tommy
A2	-	ADD THE G5 PART NUMBER	Jan-28-19	Blink	Tommy
A3	-	CHANGE HAND CRIMPER	Nov-8-19	Flan	Tommy
A4	C1735S	CHANGE STAINLESS STEEL HOOD	Oct-25-22	Ronald	Tommy
A5	-	CHANGE THE WIRE RANGE	Aug-09-23	Ronald	Tommy

QUANTITY	PART NUMBER	DESCRIPTION	ITEM												
MATERIALS LIST															
UNLESS OTHERWISE SPECIFIED: 1) All dimensions are in metric (mm). 2) Tolerances are as follows: 1 PL DEC ±0.30 2 PL DEC ±0.15 3 PL DEC ±0.08 Fractions ±1/64 Angles ±1° 3) Note reference =		<table border="1"> <thead> <tr> <th>SIGNATURES</th> <th>DATE</th> </tr> </thead> <tbody> <tr> <td>DRAWN: Ronald</td> <td>Aug-09-23</td> </tr> <tr> <td>CHECKED: Joe</td> <td>Aug-10-23</td> </tr> <tr> <td>ENGINEER:</td> <td></td> </tr> <tr> <td>APPROVAL: Tommy</td> <td>Aug-10-23</td> </tr> <tr> <td>CUSTOMER:</td> <td></td> </tr> </tbody> </table>		SIGNATURES	DATE	DRAWN: Ronald	Aug-09-23	CHECKED: Joe	Aug-10-23	ENGINEER:		APPROVAL: Tommy	Aug-10-23	CUSTOMER:	
SIGNATURES	DATE														
DRAWN: Ronald	Aug-09-23														
CHECKED: Joe	Aug-10-23														
ENGINEER:															
APPROVAL: Tommy	Aug-10-23														
CUSTOMER:															
MATERIAL SPECIFICATIONS:		Amphenol													
PROCESS SPECIFICATIONS:		Sine Systems - www.amphenol-sine.com 44724 Morley Drive Clinton Township, MI 48036													
NEXT ASSY:		ECO-MATE, PIN CONTACT, STAMPED, 18-22 AWG, SIZE 20													
		SIZE: B	TYPE: C-												
		SCALE: NONE	REVISION: A5												
		DWG NO: SP20W2xx													
		SHEET 1 OF 1													

TITLE: ECO-MATE, PIN CONTACT, STAMPED, 18-22 AWG, SIZE 20
DWG NO.: SP20W2xx
REV: A5
SH: 1
OF: 1