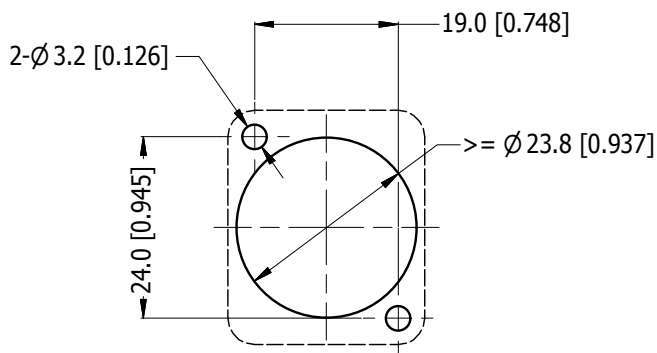
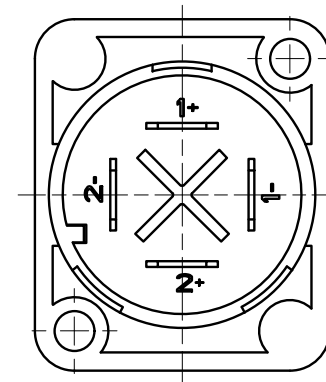
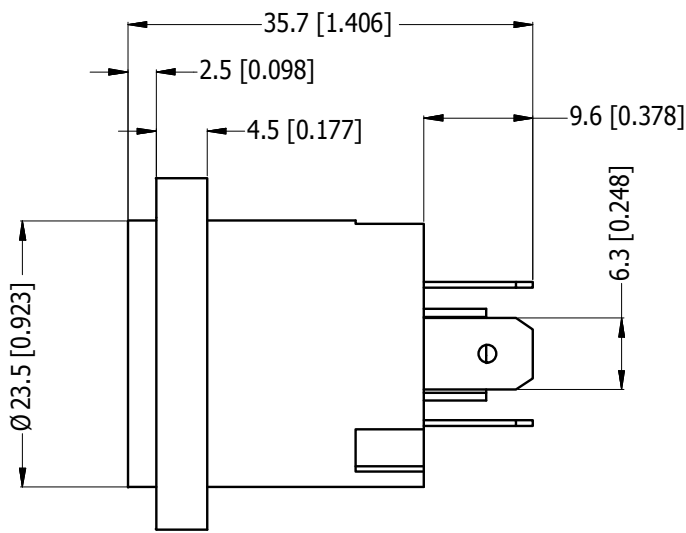
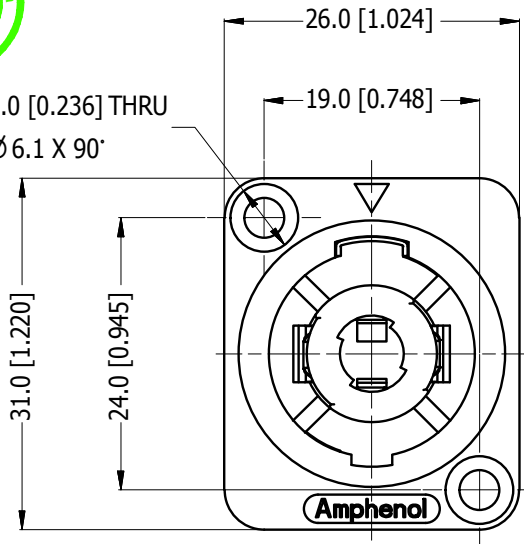


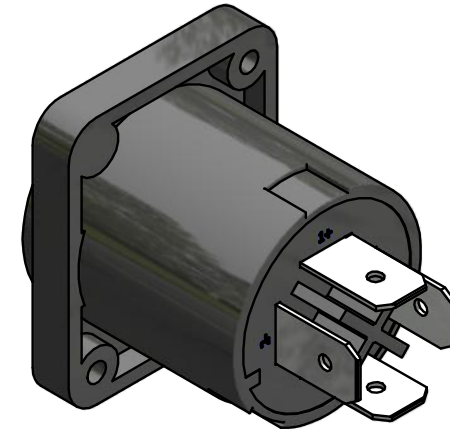
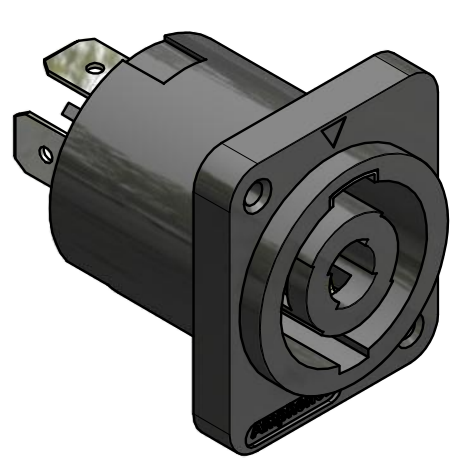
LEGEND  = KEY PRODUCT CHARACTERISTICS



| REVISION HISTORY | | | | |
|------------------|-------------|----|----------|-----|
| REV | DESCRIPTION | BY | DATE | ECN |
| 0 | FIRST ISSUE | MH | 29/02/16 | --- |



PANEL CUTOUT (1 : 1)



| | | | | | | | |
|--|-------------|---|-------------------|-----------------|---|---|-------|
| UNLESS OTHERWISE SPECIFIED TOLERANCE TO BE | | THIS DOCUMENT IS THE PROPERTY OF AMPHENOL AUSTRALIA PTY. LTD. NO PART THEREOF MAY BE REPRODUCED AND USED WITHOUT THE PRIOR WRITTEN CONSENT OF THE OWNER | | | | Amphenol Amphenol Australia Pty.Ltd, 22 Industry Blvd, Carrum Downs, VIC 3201 | |
| LINEAR | ANGULAR | MATERIAL: | DRN: | DATE: | TITLE: | PART No. | |
| X ± 0.5 | X° ± 1 | REFER TO COMPONENTS | MH | 29/02/16 | SP SERIES CONNECTOR LOUDSPEAKER 4 POLE | SP-4-MDQ | |
| X.X ± 0.1 | X.X° ± 30° | BREAK ALL SHARP EDGES AND REMOVE ALL BURRS | CKD: | DATE: | | DRAWING No. | SHEET |
| X.XX ± 0.05 | X.XX° ± 15° | DO NOT SCALE | PM | 29/02/16 | 55011133-000-2 | 2 / 2 | |
| DIMENSIONS IN MILLIMETRES | | FINISH: BLACK | APP'D: | DATE: | CAD FILE | 55011133000210 | |
| | | THIRD ANGLE PROJECTION | SCALE: 3:2 | SIZE: A4 | | | |