

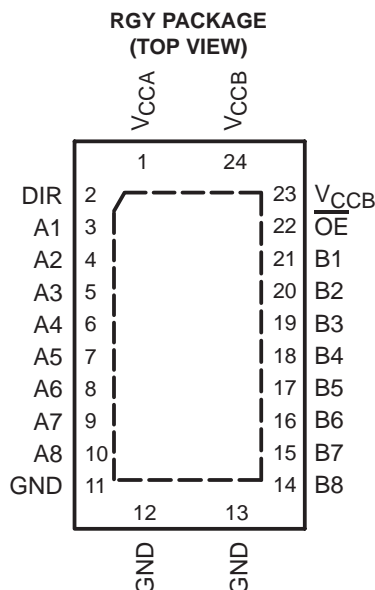
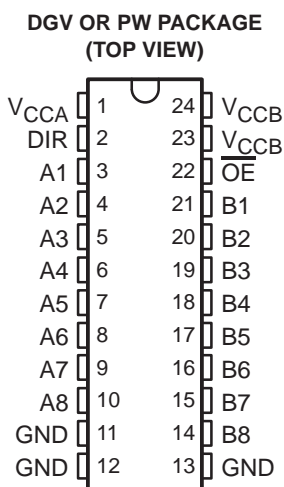
# SN74AVC8T245

## 8-BIT DUAL-SUPPLY BUS TRANSCEIVER

### WITH CONFIGURABLE VOLTAGE TRANSLATION AND 3-STATE OUTPUTS

SCES517B – DECEMBER 2003 – REVISED JUNE 2004

- Control Inputs  $V_{IH}/V_{IL}$  Levels Are Referenced to  $V_{CCA}$  Voltage
- $V_{CC}$  Isolation Feature – If Either  $V_{CC}$  Input Is at GND, All I/O Ports Are in the High-Impedance State
- $I_{off}$  Supports Partial-Power-Down Mode Operation
- Fully Configurable Dual-Rail Design Allows Each Port to Operate Over the Full 1.4-V to 3.6-V Power-Supply Range
- I/Os Are 4.6-V Tolerant
- Max Data Rates:
  - 170 Mbps ( $1.2\text{ V} \leq (V_{CCA} \text{ or } V_{CCB}) \leq 3.3\text{ V}$ )
  - 320 Mbps ( $1.8\text{ V} \leq (V_{CCA} \text{ or } V_{CCB}) \leq 3.3\text{ V}$ )
- Latch-Up Performance Exceeds 100 mA Per JESD 78, Class II
- ESD Protection Exceeds JESD 22
  - 2000-V Human-Body Model (A114-A)
  - 200-V Machine Model (A115-A)
  - 1000-V Charged-Device Model (C101)



### description/ordering information

This 8-bit noninverting bus transceiver uses two separate configurable power-supply rails. The SN74AVC8T245 is optimized to operate with  $V_{CCA}/V_{CCB}$  set at 1.4 V to 3.6 V. It is operational with  $V_{CCA}/V_{CCB}$  as low as 1.2 V. The A port is designed to track  $V_{CCA}$ .  $V_{CCA}$  accepts any supply voltage from 1.2 V to 3.6 V. The B port is designed to track  $V_{CCB}$ .  $V_{CCB}$  accepts any supply voltage from 1.2 V to 3.6 V. This allows for universal low-voltage bidirectional translation between any of the 1.2-V, 1.5-V, 1.8-V, 2.5-V, and 3.3-V voltage nodes.

### ORDERING INFORMATION

$T_A$	PACKAGE†		ORDERABLE PART NUMBER	TOP-SIDE MARKING
–40°C to 85°C	QFN – RGY	Tape and reel	SN74AVC8T245RGYR	WE245
	TSSOP – PW	Tube	SN74AVC8T245PW	WE245
		Tape and reel	SN74AVC8T245PWR	
	TVSOP – DGV	Tape and reel	SN74AVC8T245DGVR	WE245

† Package drawings, standard packing quantities, thermal data, symbolization, and PCB design guidelines are available at [www.ti.com/sc/package](http://www.ti.com/sc/package).



Please be aware that an important notice concerning availability, standard warranty, and use in critical applications of Texas Instruments semiconductor products and disclaimers thereto appears at the end of this data sheet.

PRODUCTION DATA information is current as of publication date. Products conform to specifications per the terms of Texas Instruments standard warranty. Production processing does not necessarily include testing of all parameters.

**TEXAS  
INSTRUMENTS**

POST OFFICE BOX 655303 • DALLAS, TEXAS 75265

Copyright © 2004, Texas Instruments Incorporated

# SN74AVC8T245

## 8-BIT DUAL-SUPPLY BUS TRANSCEIVER

### WITH CONFIGURABLE VOLTAGE TRANSLATION AND 3-STATE OUTPUTS

SCES517B – DECEMBER 2003 – REVISED JUNE 2004

#### description/ordering information (continued)

The SN74AVC8T245 is designed for asynchronous communication between data buses. The device transmits data from the A bus to the B bus or from the B bus to the A bus, depending on the logic level at the direction-control (DIR) input. The output-enable ( $\overline{OE}$ ) input can be used to disable the outputs so the buses are effectively isolated.

The SN74AVC8T245 is designed so the control pins (DIR and  $\overline{OE}$ ) are supplied by  $V_{CCA}$ .

The SN74AVC8T245 solution is compatible with a single-supply system and can be replaced later with a '245 function, with minimal printed circuit board redesign.

This device is fully specified for partial-power-down applications using  $I_{off}$ . The  $I_{off}$  circuitry disables the outputs, preventing damaging current backflow through the device when it is powered down.

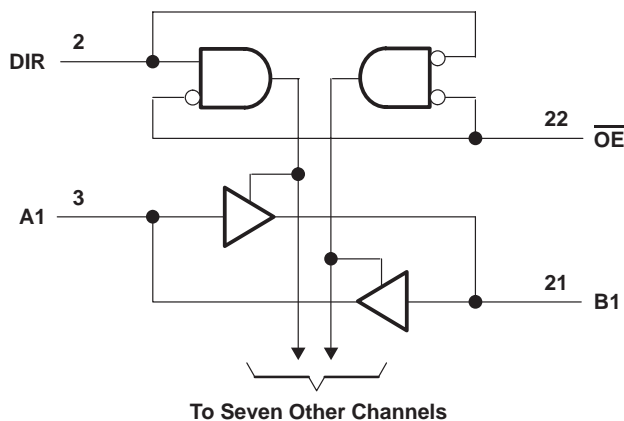
The  $V_{CC}$  isolation feature ensures that if either  $V_{CC}$  input is at GND, then both ports are in the high-impedance state.

To ensure the high-impedance state during power up or power down,  $\overline{OE}$  shall be tied to  $V_{CC}$  through a pullup resistor; the minimum value of the resistor is determined by the current-sinking capability of the driver.

FUNCTION TABLE  
(each 8-bit section)

INPUTS		OPERATION
$\overline{OE}$	DIR	
L	L	B data to A bus
L	H	A data to B bus
H	X	All outputs Hi-Z

#### logic diagram (positive logic)



**SN74AVC8T245**  
**8-BIT DUAL-SUPPLY BUS TRANSCEIVER**  
**WITH CONFIGURABLE VOLTAGE TRANSLATION AND 3-STATE OUTPUTS**

SCES517B – DECEMBER 2003 – REVISED JUNE 2004

**absolute maximum ratings over operating free-air temperature range (unless otherwise noted)†**

Supply voltage range, $V_{CCA}$ and $V_{CCB}$ .....	-0.5 V to 4.6 V
Input voltage range, $V_I$ (see Note 1): I/O ports (A port) .....	-0.5 V to 4.6 V
I/O ports (B port) .....	-0.5 V to 4.6 V
Control inputs .....	-0.5 V to 4.6 V
Voltage range applied to any output in the high-impedance or power-off state, $V_O$	
(see Note 1): A port .....	-0.5 V to 4.6 V
B port .....	-0.5 V to 4.6 V
Voltage range applied to any output in the high or low state, $V_O$	
(see Notes 1 and 2): A port .....	-0.5 V to $V_{CCA} + 0.5$ V
B port .....	-0.5 V to $V_{CCB} + 0.5$ V
Input clamp current, $I_{IK}$ ( $V_I < 0$ ) .....	-50 mA
Output clamp current, $I_{OK}$ ( $V_O < 0$ ) .....	-50 mA
Continuous output current, $I_O$ .....	$\pm 50$ mA
Continuous current through $V_{CCA}$ , $V_{CCB}$ , or GND .....	$\pm 100$ mA
Package thermal impedance, $\theta_{JA}$ (see Note 3): DGV package .....	86°C/W
PW package .....	88°C/W
RGY package .....	TBD°C/W
Storage temperature range, $T_{stg}$ .....	-65°C to 150°C

† Stresses beyond those listed under “absolute maximum ratings” may cause permanent damage to the device. These are stress ratings only, and functional operation of the device at these or any other conditions beyond those indicated under “recommended operating conditions” is not implied. Exposure to absolute-maximum-rated conditions for extended periods may affect device reliability.

- NOTES: 1. The input voltage and output negative-voltage ratings may be exceeded if the input and output current ratings are observed.  
 2. The output positive-voltage rating may be exceeded up to 4.6 V maximum if the output current rating is observed.  
 3. The package thermal impedance is calculated in accordance with JESD 51-7.



**SN74AVC8T245**  
**8-BIT DUAL-SUPPLY BUS TRANSCEIVER**  
**WITH CONFIGURABLE VOLTAGE TRANSLATION AND 3-STATE OUTPUTS**

SCES517B – DECEMBER 2003 – REVISED JUNE 2004

**recommended operating conditions (see Notes 4 through 6)**

		V <sub>CCI</sub>	V <sub>CCO</sub>	MIN	MAX	UNIT
V <sub>CCA</sub>	Supply voltage			1.2	3.6	V
V <sub>CCB</sub>	Supply voltage			1.2	3.6	V
V <sub>IH</sub>	High-level input voltage	Data inputs	1.2 V to 1.95 V	V <sub>CCI</sub> × 0.65		V
			1.95 V to 2.7 V	1.6		
			2.7 V to 3.6 V	2		
V <sub>IL</sub>	Low-level input voltage	Data inputs	1.2 V to 1.95 V	V <sub>CCI</sub> × 0.35		V
			1.95 V to 2.7 V	0.7		
			2.7 V to 3.6 V	0.8		
V <sub>IH</sub>	High-level input voltage	DIR (referenced to V <sub>CCA</sub> )	1.2 V to 1.95 V	V <sub>CCA</sub> × 0.65		V
			1.95 V to 2.7 V	1.6		
			2.7 V to 3.6 V	2		
V <sub>IL</sub>	Low-level input voltage	DIR (referenced to V <sub>CCA</sub> )	1.2 V to 1.95 V	V <sub>CCA</sub> × 0.35		V
			1.95 V to 2.7 V	0.7		
			2.7 V to 3.6 V	0.8		
V <sub>I</sub>	Input voltage			0	3.6	V
V <sub>O</sub>	Output voltage	Active state		0	V <sub>CCO</sub>	V
		3-state		0	3.6	V
I <sub>OH</sub>	High-level output current		1.2 V	-3		mA
			1.4 V to 1.6 V	-6		
			1.65 V to 1.95 V	-8		
			2.3 V to 2.7 V	-9		
			3 V to 3.6 V	-12		
I <sub>OL</sub>	Low-level output current		1.2 V	3		mA
			1.4 V to 1.6 V	6		
			1.65 V to 1.95 V	8		
			2.3 V to 2.7 V	9		
			3 V to 3.6 V	12		
Δt/Δv	Input transition rise or fall rate				5	ns/V
T <sub>A</sub>	Operating free-air temperature			-40	85	°C

- NOTES: 4. V<sub>CCI</sub> is the V<sub>CC</sub> associated with the data input port.  
5. V<sub>CCO</sub> is the V<sub>CC</sub> associated with the output port.  
6. All unused data inputs of the device must be held at V<sub>CCI</sub> or GND to ensure proper device operation. Refer to the TI application report, *Implications of Slow or Floating CMOS Inputs*, literature number SCBA004.



**SN74AVC8T245**  
**8-BIT DUAL-SUPPLY BUS TRANSCEIVER**  
**WITH CONFIGURABLE VOLTAGE TRANSLATION AND 3-STATE OUTPUTS**

SCES517B – DECEMBER 2003 – REVISED JUNE 2004

electrical characteristics over recommended operating free-air temperature range (unless otherwise noted) (see Notes 7 and 8)

PARAMETER	TEST CONDITIONS		V <sub>CCA</sub>	V <sub>CCB</sub>	T <sub>A</sub> = 25°C			-40°C to 85°C		UNIT
					MIN	TYP	MAX	MIN	MAX	
V <sub>OH</sub>		V <sub>I</sub> = V <sub>IH</sub>	1.2 V to 3.6 V	1.2 V to 3.6 V				V <sub>CCO</sub> -0.2 V		V
			1.2 V	1.2 V	0.95					
			1.4 V	1.4 V				1.05		
			1.65 V	1.65 V				1.2		
			2.3 V	2.3 V				1.75		
			3 V	3 V				2.3		
V <sub>OL</sub>		V <sub>I</sub> = V <sub>IL</sub>	1.2 V to 3.6 V	1.2 V to 3.6 V				0.2		V
			1.2 V	1.2 V	0.15					
			1.4 V	1.4 V				0.35		
			1.65 V	1.65 V				0.45		
			2.3 V	2.3 V				0.55		
			3 V	3 V				0.7		
I <sub>I</sub>	Control inputs	V <sub>I</sub> = V <sub>CCA</sub> or GND	1.2 V to 3.6 V	1.2 V to 3.6 V	±0.025	±0.25		±1	μA	
I <sub>off</sub>	A or B port	V <sub>I</sub> or V <sub>O</sub> = 0 to 3.6 V	0 V	0 to 3.6 V	±0.1	±1		±5	μA	
	A or B port		0 to 3.6 V	0 V	±0.1	±1		±5		
I <sub>OZ</sub> <sup>†</sup>	A or B port	V <sub>O</sub> = V <sub>CCO</sub> or GND, V <sub>I</sub> = V <sub>CCI</sub> or GND	$\overline{OE}$ = V <sub>IH</sub>	3.6 V	3.6 V	±0.5	±2.5		±5	μA
I <sub>CCA</sub>		V <sub>I</sub> = V <sub>CCI</sub> or GND	I <sub>O</sub> = 0	1.2 V to 3.6 V	1.2 V to 3.6 V				15	μA
				0 V	3.6 V				-2	
				3.6 V	0 V				15	
I <sub>CCB</sub>		V <sub>I</sub> = V <sub>CCI</sub> or GND	I <sub>O</sub> = 0	1.2 V to 3.6 V	1.2 V to 3.6 V				15	μA
				0 V	3.6 V				15	
				3.6 V	0 V				-2	
I <sub>CCA</sub> + I <sub>CCB</sub>		V <sub>I</sub> = V <sub>CCI</sub> or GND	I <sub>O</sub> = 0	1.2 V to 3.6 V	1.2 V to 3.6 V				25	μA
C <sub>i</sub>	Control inputs	V <sub>I</sub> = 3.3 V or GND	3.3 V	3.3 V	3.5			4.5	pF	
C <sub>io</sub>	A or B port	V <sub>O</sub> = 3.3 V or GND	3.3 V	3.3 V	6			7	pF	

<sup>†</sup> For I/O ports, the parameter I<sub>OZ</sub> includes the input leakage current.

NOTES: 7. V<sub>CCO</sub> is the V<sub>CC</sub> associated with the output port.

8. V<sub>CCI</sub> is the V<sub>CC</sub> associated with the input port.



**SN74AVC8T245**  
**8-BIT DUAL-SUPPLY BUS TRANSCEIVER**  
**WITH CONFIGURABLE VOLTAGE TRANSLATION AND 3-STATE OUTPUTS**

SCES517B – DECEMBER 2003 – REVISED JUNE 2004

switching characteristics over recommended operating free-air temperature range,  
**V<sub>CCA</sub> = 1.2 V** (see Figure 10)

PARAMETER	FROM (INPUT)	TO (OUTPUT)	V <sub>CCB</sub> = 1.2 V	V <sub>CCB</sub> = 1.5 V	V <sub>CCB</sub> = 1.8 V	V <sub>CCB</sub> = 2.5 V	V <sub>CCB</sub> = 3.3 V	UNIT
			TYP	TYP	TYP	TYP	TYP	
t <sub>PLH</sub>	A	B	3.1	2.6	2.5	3	3.5	ns
t <sub>PHL</sub>			3.1	2.6	2.5	3	3.5	
t <sub>PLH</sub>	B	A	3.1	2.7	2.5	2.4	2.3	ns
t <sub>PHL</sub>			3.1	2.7	2.5	2.4	2.3	
t <sub>PZH</sub>	$\overline{OE}$	A	5.3	5.3	5.3	5.3	5.3	ns
t <sub>PZL</sub>			5.3	5.3	5.3	5.3	5.3	
t <sub>PZH</sub>	$\overline{OE}$	B	5.1	4	3.5	3.2	3.1	ns
t <sub>PZL</sub>			5.1	4	3.5	3.2	3.1	
t <sub>PHZ</sub>	$\overline{OE}$	A	4.8	4.8	4.8	4.8	4.8	ns
t <sub>PLZ</sub>			4.8	4.8	4.8	4.8	4.8	
t <sub>PHZ</sub>	$\overline{OE}$	B	4.7	4	4.1	4.3	5.1	ns
t <sub>PLZ</sub>			4.7	4	4.1	4.3	5.1	

switching characteristics over recommended operating free-air temperature range,  
**V<sub>CCA</sub> = 1.5 V ± 0.1 V** (see Figure 10)

PARAMETER	FROM (INPUT)	TO (OUTPUT)	V <sub>CCB</sub> = 1.2 V	V <sub>CCB</sub> = 1.5 V ± 0.1 V		V <sub>CCB</sub> = 1.8 V ± 0.15 V		V <sub>CCB</sub> = 2.5 V ± 0.2 V		V <sub>CCB</sub> = 3.3 V ± 0.3 V		UNIT
			TYP	MIN	MAX	MIN	MAX	MIN	MAX	MIN	MAX	
t <sub>PLH</sub>	A	B	2.7	0.5	5.4	0.5	4.6	0.5	4.9	0.5	6.8	ns
t <sub>PHL</sub>			2.7	0.5	5.4	0.5	4.6	0.5	4.9	0.5	6.8	
t <sub>PLH</sub>	B	A	2.6	0.5	5.4	0.5	5.1	0.5	4.7	0.5	4.5	ns
t <sub>PHL</sub>			2.6	0.5	5.4	0.5	5.1	0.5	4.7	0.5	4.5	
t <sub>PZH</sub>	$\overline{OE}$	A	3.7	1.1	8.7	1.1	8.7	1.1	8.7	1.1	8.7	ns
t <sub>PZL</sub>			3.7	1.1	8.7	1.1	8.7	1.1	8.7	1.1	8.7	
t <sub>PZH</sub>	$\overline{OE}$	B	4.8	1.1	7.6	1.1	7.1	1	5.6	1	5.2	ns
t <sub>PZL</sub>			4.8	1.1	7.6	1.1	7.1	1	5.6	1	5.2	
t <sub>PHZ</sub>	$\overline{OE}$	A	3.1	0.5	8.6	0.5	8.6	0.5	8.6	0.5	8.6	ns
t <sub>PLZ</sub>			3.1	0.5	8.6	0.5	8.6	0.5	8.6	0.5	8.6	
t <sub>PHZ</sub>	$\overline{OE}$	B	4.1	0.5	8.4	0.5	7.6	0.5	7.2	0.5	7.8	ns
t <sub>PLZ</sub>			4.1	0.5	8.4	0.5	7.6	0.5	7.2	0.5	7.8	



**SN74AVC8T245**  
**8-BIT DUAL-SUPPLY BUS TRANSCEIVER**  
**WITH CONFIGURABLE VOLTAGE TRANSLATION AND 3-STATE OUTPUTS**

SCES517B – DECEMBER 2003 – REVISED JUNE 2004

switching characteristics over recommended operating free-air temperature range,  
 $V_{CCA} = 1.8\text{ V} \pm 0.15\text{ V}$  (see Figure 10)

PARAMETER	FROM (INPUT)	TO (OUTPUT)	$V_{CCB} = 1.2\text{ V}$	$V_{CCB} = 1.5\text{ V} \pm 0.1\text{ V}$		$V_{CCB} = 1.8\text{ V} \pm 0.15\text{ V}$		$V_{CCB} = 2.5\text{ V} \pm 0.2\text{ V}$		$V_{CCB} = 3.3\text{ V} \pm 0.3\text{ V}$		UNIT
			TYP	MIN	MAX	MIN	MAX	MIN	MAX	MIN	MAX	
$t_{PLH}$	A	B	2.5	0.5	5.1	0.5	4.4	0.5	4	0.5	3.9	ns
$t_{PHL}$			2.5	0.5	5.1	0.5	4.4	0.5	4	0.5	3.9	
$t_{PLH}$	B	A	2.5	0.5	4.6	0.5	4.4	0.5	3.9	0.5	3.7	ns
$t_{PHL}$			2.5	0.5	4.6	0.5	4.4	0.5	3.9	0.5	3.7	
$t_{PZH}$	$\overline{OE}$	A	3	1	6.8	1	6.8	1	6.8	1	6.8	ns
$t_{PZL}$			3	1	6.8	1	6.8	1	6.8	1	6.8	
$t_{PZH}$	$\overline{OE}$	B	4.6	1.1	8.2	1	6.7	0.5	5.1	0.5	4.5	ns
$t_{PZL}$			4.6	1.1	8.2	1	6.7	0.5	5.1	0.5	4.5	
$t_{PHZ}$	$\overline{OE}$	A	2.8	0.5	7.1	0.5	7.1	0.5	7.1	0.5	7.1	ns
$t_{PLZ}$			2.8	0.5	7.1	0.5	7.1	0.5	7.1	0.5	7.1	
$t_{PHZ}$	$\overline{OE}$	B	3.9	0.5	7.8	0.5	6.9	0.5	6	0.5	5.8	ns
$t_{PLZ}$			3.9	0.5	7.8	0.5	6.9	0.5	6	0.5	5.8	

switching characteristics over recommended operating free-air temperature range,  
 $V_{CCA} = 2.5\text{ V} \pm 0.2\text{ V}$  (see Figure 10)

PARAMETER	FROM (INPUT)	TO (OUTPUT)	$V_{CCB} = 1.2\text{ V}$	$V_{CCB} = 1.5\text{ V} \pm 0.1\text{ V}$		$V_{CCB} = 1.8\text{ V} \pm 0.15\text{ V}$		$V_{CCB} = 2.5\text{ V} \pm 0.2\text{ V}$		$V_{CCB} = 3.3\text{ V} \pm 0.3\text{ V}$		UNIT
			TYP	MIN	MAX	MIN	MAX	MIN	MAX	MIN	MAX	
$t_{PLH}$	A	B	2.4	0.5	4.7	0.5	3.9	0.5	3.1	0.5	2.8	ns
$t_{PHL}$			2.4	0.5	4.7	0.5	3.9	0.5	3.1	0.5	2.8	
$t_{PLH}$	B	A	3	0.5	4.9	0.5	4	0.5	3.1	0.5	2.9	ns
$t_{PHL}$			3	0.5	4.9	0.5	4	0.5	3.1	0.5	2.9	
$t_{PZH}$	$\overline{OE}$	A	2.2	0.5	4.8	0.5	4.8	0.5	4.8	0.5	4.8	ns
$t_{PZL}$			2.2	0.5	4.8	0.5	4.8	0.5	4.8	0.5	4.8	
$t_{PZH}$	$\overline{OE}$	B	4.5	1.1	7.9	0.5	6.4	0.5	4.6	0.5	4	ns
$t_{PZL}$			4.5	1.1	7.9	0.5	6.4	0.5	4.6	0.5	4	
$t_{PHZ}$	$\overline{OE}$	A	1.8	0.5	5.1	0.5	5.1	0.5	5.1	0.5	5.1	ns
$t_{PLZ}$			1.8	0.5	5.1	0.5	5.1	0.5	5.1	0.5	5.1	
$t_{PHZ}$	$\overline{OE}$	B	3.6	0.5	7.1	0.5	6.3	0.5	5.1	0.5	3.9	ns
$t_{PLZ}$			3.6	0.5	7.1	0.5	6.3	0.5	5.1	0.5	3.9	

# SN74AVC8T245

## 8-BIT DUAL-SUPPLY BUS TRANSCEIVER

### WITH CONFIGURABLE VOLTAGE TRANSLATION AND 3-STATE OUTPUTS

SCES517B – DECEMBER 2003 – REVISED JUNE 2004

switching characteristics over recommended operating free-air temperature range,  
 $V_{CCA} = 3.3 \text{ V} \pm 0.3 \text{ V}$  (see Figure 10)

PARAMETER	FROM (INPUT)	TO (OUTPUT)	$V_{CCB} = 1.2 \text{ V}$	$V_{CCB} = 1.5 \text{ V} \pm 0.1 \text{ V}$		$V_{CCB} = 1.8 \text{ V} \pm 0.15 \text{ V}$		$V_{CCB} = 2.5 \text{ V} \pm 0.2 \text{ V}$		$V_{CCB} = 3.3 \text{ V} \pm 0.3 \text{ V}$		UNIT
			TYP	MIN	MAX	MIN	MAX	MIN	MAX	MIN	MAX	
$t_{PLH}$	A	B	2.3	0.5	4.5	0.5	3.7	0.5	2.9	0.5	2.5	ns
$t_{PHL}$			2.3	0.5	4.5	0.5	3.7	0.5	2.9	0.5	2.5	
$t_{PLH}$	B	A	3.5	0.5	6.8	0.5	3.9	0.5	2.8	0.5	2.5	ns
$t_{PHL}$			3.5	0.5	6.8	0.5	3.9	0.5	2.8	0.5	2.5	
$t_{PZH}$	$\overline{OE}$	A	2	0.5	4	0.5	4	0.5	4	0.5	4	ns
$t_{PZL}$			2	0.5	4	0.5	4	0.5	4	0.5	4	
$t_{PZH}$	$\overline{OE}$	B	4.5	1.1	7.8	0.5	6.2	0.5	4.5	0.5	3.9	ns
$t_{PZL}$			4.5	1.1	7.8	0.5	6.2	0.5	4.5	0.5	3.9	
$t_{PHZ}$	$\overline{OE}$	A	1.7	0.5	4	0.5	4	0.5	4	0.5	4	ns
$t_{PLZ}$			1.7	0.5	4	0.5	4	0.5	4	0.5	4	
$t_{PHZ}$	$\overline{OE}$	B	3.4	0.5	6.9	0.5	6	0.5	4.8	0.5	4.2	ns
$t_{PLZ}$			3.4	0.5	6.9	0.5	6	0.5	4.8	0.5	4.2	

operating characteristics,  $T_A = 25^\circ\text{C}$

PARAMETER			TEST CONDITIONS	$V_{CCA} = V_{CCB} = 1.2 \text{ V}$	$V_{CCA} = V_{CCB} = 1.5 \text{ V}$	$V_{CCA} = V_{CCB} = 1.8 \text{ V}$	$V_{CCA} = V_{CCB} = 2.5 \text{ V}$	$V_{CCA} = V_{CCB} = 3.3 \text{ V}$	UNIT	
				TYP	TYP	TYP	TYP	TYP		
$C_{pdA}^\dagger$	A to B	Outputs Enabled	$C_L = 0,$ $f = 10 \text{ MHz},$ $t_r = t_f = 1 \text{ ns}$	1	1	1	1	1	pF	
		Outputs Disabled		1	1	1	1	1		
	B to A	Outputs Enabled		12	12	12	13	14		
		Outputs Disabled		1	1	1	1	1		
$C_{pdB}^\dagger$	A to B	Outputs Enabled		12	12	12	13	14		pF
		Outputs Disabled		1	1	1	1	1		
	B to A	Outputs Enabled		1	1	1	1	1		
		Outputs Disabled		1	1	1	1	1		

$^\dagger$  Power-dissipation capacitance per transceiver





**SN74AVC8T245**  
**8-BIT DUAL-SUPPLY BUS TRANSCEIVER**  
**WITH CONFIGURABLE VOLTAGE TRANSLATION AND 3-STATE OUTPUTS**  
SCE517B – DECEMBER 2003 – REVISED JUNE 2004

typical total static power consumption ( $I_{CCA} + I_{CCB}$ )

Table 1

V <sub>CCB</sub>	V <sub>CCA</sub>						UNIT
	0 V	1.2 V	1.5 V	1.8 V	2.5 V	3.3 V	
0 V	0	<0.5	<0.5	<0.5	<0.5	<0.5	μA
1.2 V	<0.5	<1	<1	<1	<1	1	
1.5 V	<0.5	<1	<1	<1	<1	1	
1.8 V	<0.5	<1	<1	<1	<1	<1	
2.5 V	<0.5	1	<1	<1	<1	<1	
3.3 V	<0.5	1	<1	<1	<1	<1	

**SN74AVC8T245**  
**8-BIT DUAL-SUPPLY BUS TRANSCEIVER**  
**WITH CONFIGURABLE VOLTAGE TRANSLATION AND 3-STATE OUTPUTS**

SCES517B – DECEMBER 2003 – REVISED JUNE 2004

**TYPICAL CHARACTERISTICS**

**TYPICAL PROPAGATION DELAY (A to B) vs LOAD CAPACITANCE**  
 $T_A = 25^\circ\text{C}, V_{CCA} = 1.2\text{ V}$

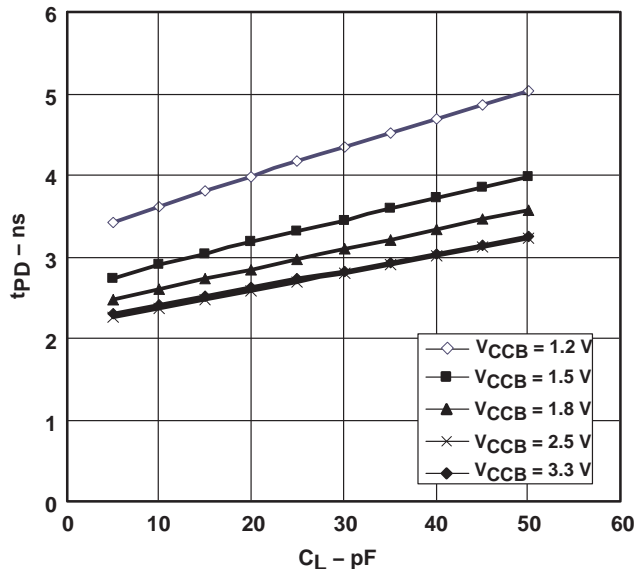


Figure 1

**TYPICAL PROPAGATION DELAY (A to B) vs LOAD CAPACITANCE**  
 $T_A = 25^\circ\text{C}, V_{CCA} = 1.5\text{ V}$

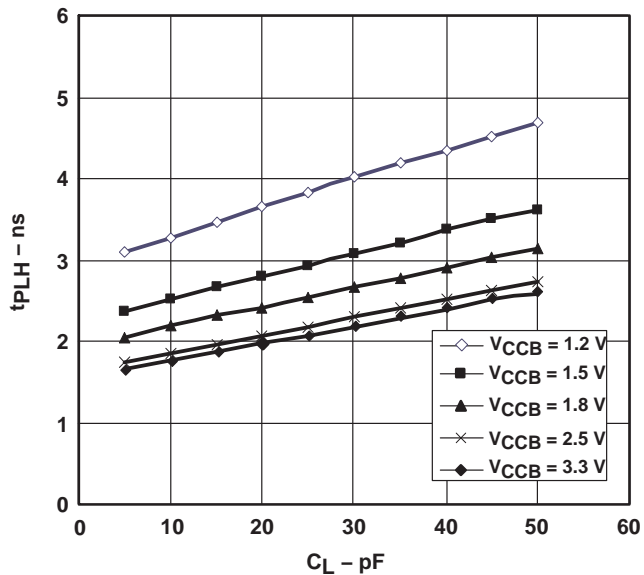


Figure 2

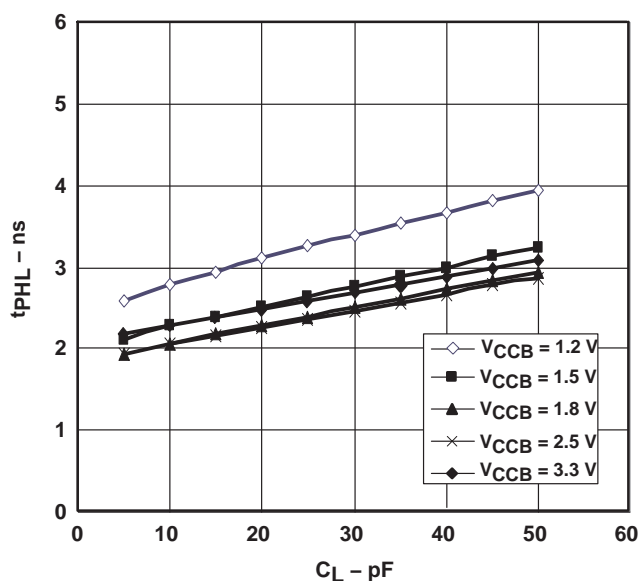


Figure 3

**SN74AVC8T245**  
**8-BIT DUAL-SUPPLY BUS TRANSCEIVER**  
**WITH CONFIGURABLE VOLTAGE TRANSLATION AND 3-STATE OUTPUTS**

SCES517B – DECEMBER 2003 – REVISED JUNE 2004

**TYPICAL PROPAGATION DELAY (A to B) vs LOAD CAPACITANCE**  
 $T_A = 25^\circ\text{C}$ ,  $V_{CCA} = 1.8\text{ V}$

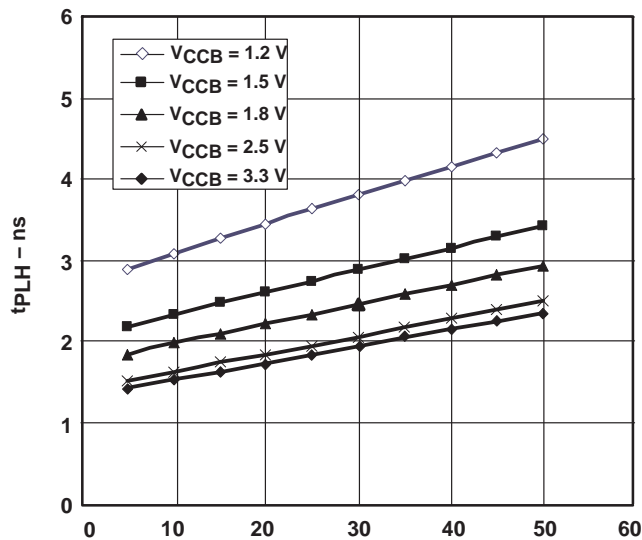


Figure 4

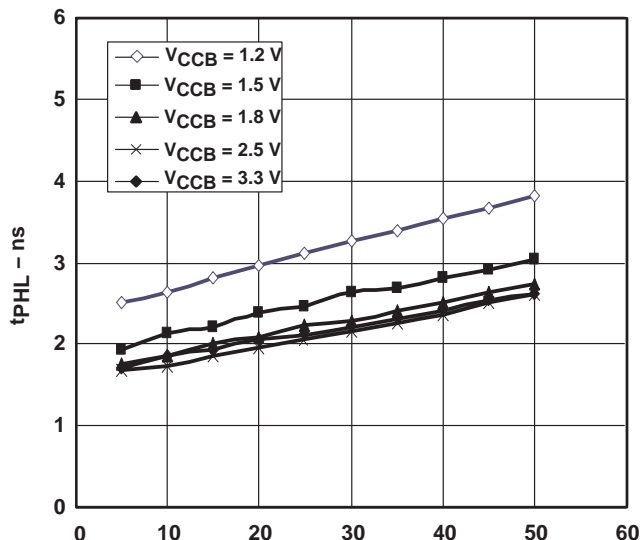


Figure 5

**TYPICAL PROPAGATION DELAY (A to B) vs LOAD CAPACITANCE**  
 $T_A = 25^\circ\text{C}$ ,  $V_{CCA} = 2.5\text{ V}$

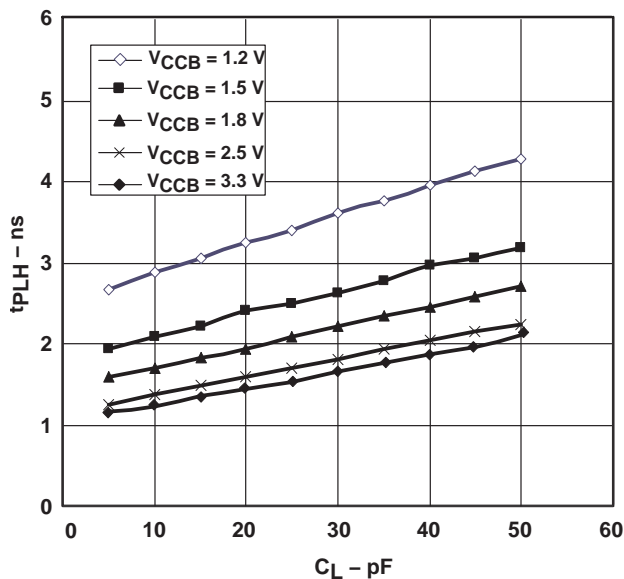


Figure 6

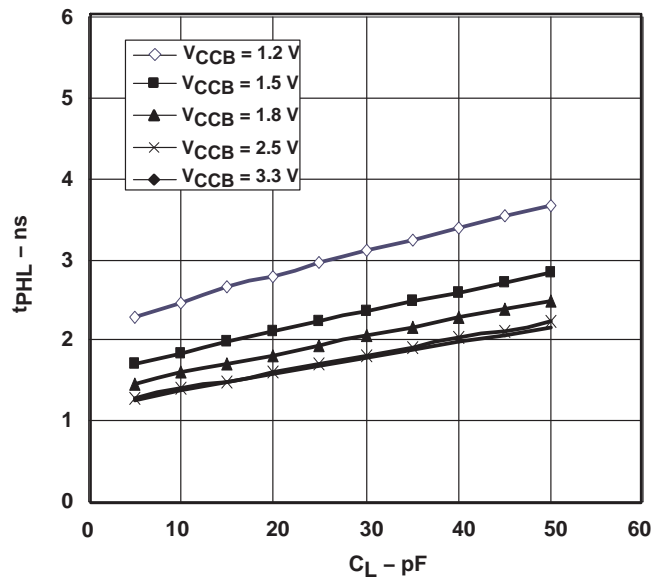


Figure 7

**SN74AVC8T245**  
**8-BIT DUAL-SUPPLY BUS TRANSCEIVER**  
**WITH CONFIGURABLE VOLTAGE TRANSLATION AND 3-STATE OUTPUTS**

SCES517B – DECEMBER 2003 – REVISED JUNE 2004

**TYPICAL PROPAGATION DELAY (A to B) vs LOAD CAPACITANCE**  
 $T_A = 25^\circ\text{C}$ ,  $V_{CCA} = 3.3\text{ V}$

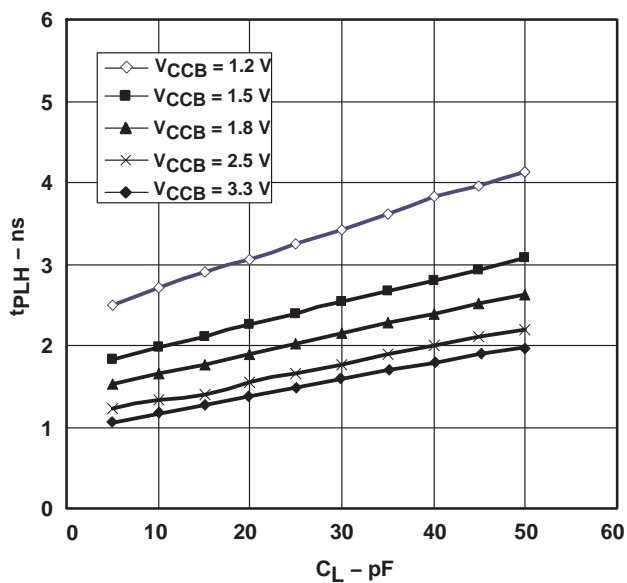


Figure 8

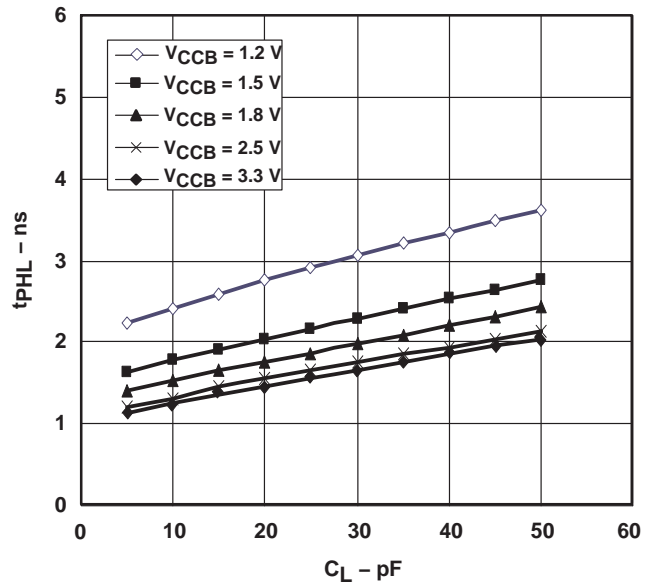
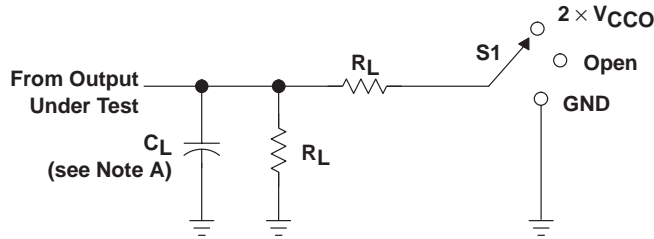


Figure 9

**SN74AVC8T245**  
**8-BIT DUAL-SUPPLY BUS TRANSCEIVER**  
**WITH CONFIGURABLE VOLTAGE TRANSLATION AND 3-STATE OUTPUTS**

SCES517B – DECEMBER 2003 – REVISED JUNE 2004

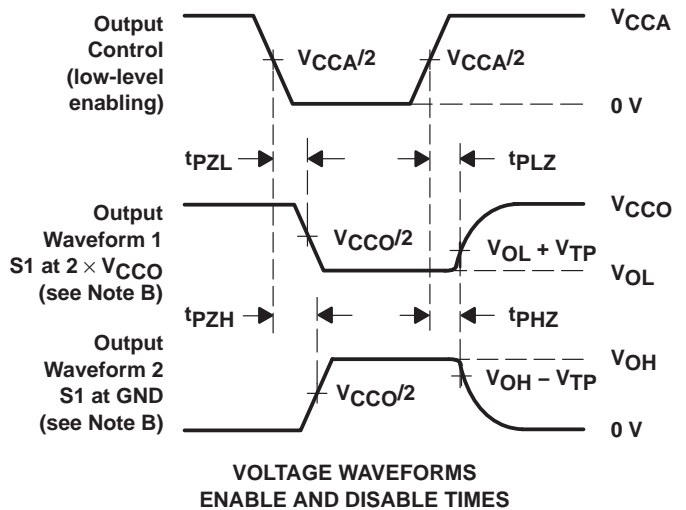
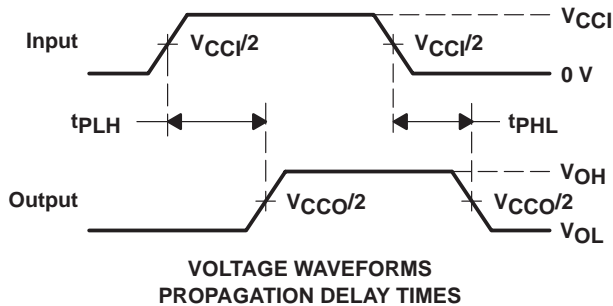
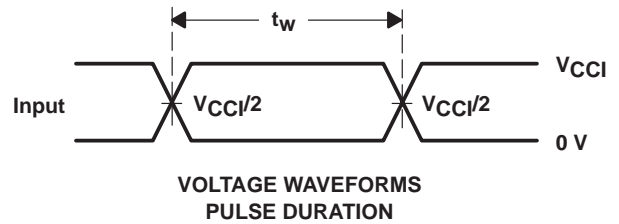
**PARAMETER MEASUREMENT INFORMATION**



**LOAD CIRCUIT**

TEST	S1
$t_{pd}$	Open
$t_{PLZ}/t_{PZL}$	$2 \times V_{CCO}$
$t_{PHZ}/t_{PZH}$	GND

$V_{CCO}$	$C_L$	$R_L$	$V_{TP}$
1.2 V	15 pF	2 k $\Omega$	0.1 V
1.5 V $\pm$ 0.1 V	15 pF	2 k $\Omega$	0.1 V
1.8 V $\pm$ 0.15 V	15 pF	2 k $\Omega$	0.15 V
2.5 V $\pm$ 0.2 V	15 pF	2 k $\Omega$	0.15 V
3.3 V $\pm$ 0.3 V	15 pF	2 k $\Omega$	0.3 V



- NOTES:
- $C_L$  includes probe and jig capacitance.
  - Waveform 1 is for an output with internal conditions such that the output is low, except when disabled by the output control. Waveform 2 is for an output with internal conditions such that the output is high, except when disabled by the output control.
  - All input pulses are supplied by generators having the following characteristics:  $PRR \leq 10$  MHz,  $Z_O = 50 \Omega$ ,  $dv/dt \geq 1$  V/ns,  $dv/dt \geq 1$  V/ns.
  - The outputs are measured one at a time, with one transition per measurement.
  - $t_{PLZ}$  and  $t_{PHZ}$  are the same as  $t_{dis}$ .
  - $t_{PZL}$  and  $t_{PZH}$  are the same as  $t_{en}$ .
  - $t_{PLH}$  and  $t_{PHL}$  are the same as  $t_{pd}$ .
  - $V_{CCI}$  is the  $V_{CC}$  associated with the input port.
  - $V_{CCO}$  is the  $V_{CC}$  associated with the output port.

**Figure 10. Load Circuit and Voltage Waveforms**

DGV (R-PDSO-G\*\*)

PLASTIC SMALL-OUTLINE

24 PINS SHOWN



- NOTES: A. All linear dimensions are in millimeters.  
 B. This drawing is subject to change without notice.  
 C. Body dimensions do not include mold flash or protrusion, not to exceed 0,15 per side.  
 D. Falls within JEDEC: 24/48 Pins – MO-153  
 14/16/20/56 Pins – MO-194

PW (R-PDSO-G\*\*)

PLASTIC SMALL-OUTLINE PACKAGE

14 PINS SHOWN



4040064/F 01/97

- NOTES: A. All linear dimensions are in millimeters.  
 B. This drawing is subject to change without notice.  
 C. Body dimensions do not include mold flash or protrusion not to exceed 0,15.  
 D. Falls within JEDEC MO-153

## IMPORTANT NOTICE

Texas Instruments Incorporated and its subsidiaries (TI) reserve the right to make corrections, modifications, enhancements, improvements, and other changes to its products and services at any time and to discontinue any product or service without notice. Customers should obtain the latest relevant information before placing orders and should verify that such information is current and complete. All products are sold subject to TI's terms and conditions of sale supplied at the time of order acknowledgment.

TI warrants performance of its hardware products to the specifications applicable at the time of sale in accordance with TI's standard warranty. Testing and other quality control techniques are used to the extent TI deems necessary to support this warranty. Except where mandated by government requirements, testing of all parameters of each product is not necessarily performed.

TI assumes no liability for applications assistance or customer product design. Customers are responsible for their products and applications using TI components. To minimize the risks associated with customer products and applications, customers should provide adequate design and operating safeguards.

TI does not warrant or represent that any license, either express or implied, is granted under any TI patent right, copyright, mask work right, or other TI intellectual property right relating to any combination, machine, or process in which TI products or services are used. Information published by TI regarding third-party products or services does not constitute a license from TI to use such products or services or a warranty or endorsement thereof. Use of such information may require a license from a third party under the patents or other intellectual property of the third party, or a license from TI under the patents or other intellectual property of TI.

Reproduction of information in TI data books or data sheets is permissible only if reproduction is without alteration and is accompanied by all associated warranties, conditions, limitations, and notices. Reproduction of this information with alteration is an unfair and deceptive business practice. TI is not responsible or liable for such altered documentation.

Resale of TI products or services with statements different from or beyond the parameters stated by TI for that product or service voids all express and any implied warranties for the associated TI product or service and is an unfair and deceptive business practice. TI is not responsible or liable for any such statements.

Following are URLs where you can obtain information on other Texas Instruments products and application solutions:

<b>Products</b>		<b>Applications</b>	
Amplifiers	<a href="http://amplifier.ti.com">amplifier.ti.com</a>	Audio	<a href="http://www.ti.com/audio">www.ti.com/audio</a>
Data Converters	<a href="http://dataconverter.ti.com">dataconverter.ti.com</a>	Automotive	<a href="http://www.ti.com/automotive">www.ti.com/automotive</a>
DSP	<a href="http://dsp.ti.com">dsp.ti.com</a>	Broadband	<a href="http://www.ti.com/broadband">www.ti.com/broadband</a>
Interface	<a href="http://interface.ti.com">interface.ti.com</a>	Digital Control	<a href="http://www.ti.com/digitalcontrol">www.ti.com/digitalcontrol</a>
Logic	<a href="http://logic.ti.com">logic.ti.com</a>	Military	<a href="http://www.ti.com/military">www.ti.com/military</a>
Power Mgmt	<a href="http://power.ti.com">power.ti.com</a>	Optical Networking	<a href="http://www.ti.com/opticalnetwork">www.ti.com/opticalnetwork</a>
Microcontrollers	<a href="http://microcontroller.ti.com">microcontroller.ti.com</a>	Security	<a href="http://www.ti.com/security">www.ti.com/security</a>
		Telephony	<a href="http://www.ti.com/telephony">www.ti.com/telephony</a>
		Video & Imaging	<a href="http://www.ti.com/video">www.ti.com/video</a>
		Wireless	<a href="http://www.ti.com/wireless">www.ti.com/wireless</a>

Mailing Address: Texas Instruments  
Post Office Box 655303 Dallas, Texas 75265

Copyright © 2004, Texas Instruments Incorporated